

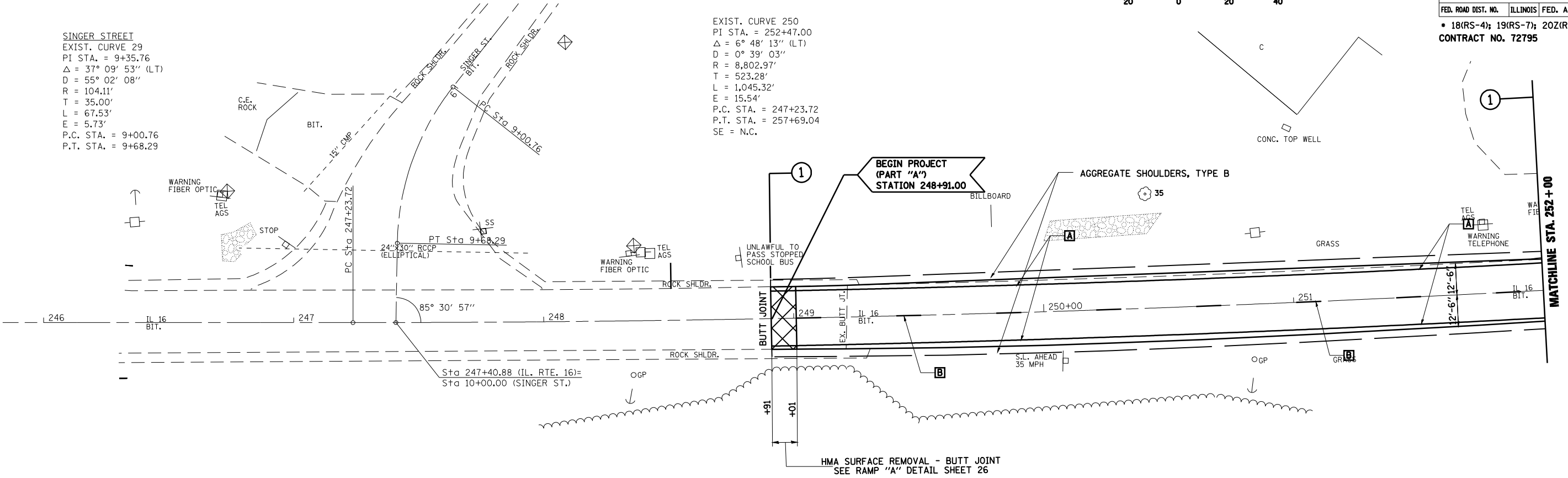
F.A.P. RTE.	SECTION	COUNTY	TOTAL SHEETS	SHEET NO.
325	*	MONTGOMERY	28	15
STA.		TO STA. 257+00.00		
FED. ROAD DIST. NO.	ILLINOIS	FED. AID PROJECT		
* 18(RS-4); 19(RS-7); 20Z(RS-5)				
CONTRACT NO. 72795				



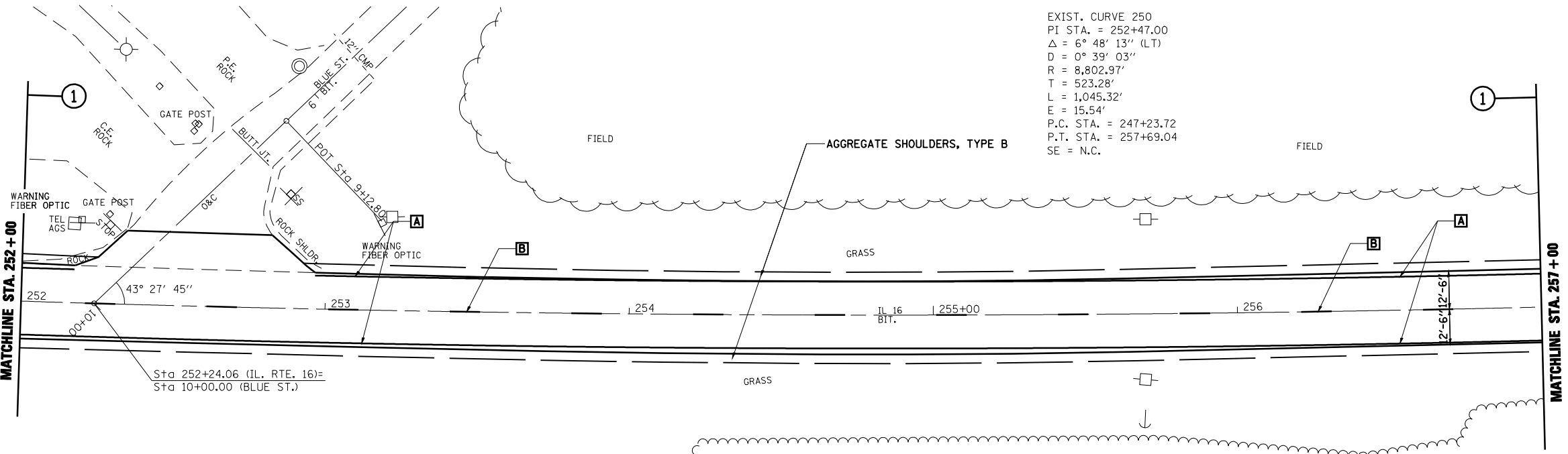
SINGER STREET  
 EXIST. CURVE 29  
 PI STA. = 9+35.76  
 $\Delta = 37^\circ 09' 53''$  (LT)  
 $D = 55^\circ 02' 08''$   
 $R = 104.11'$   
 $T = 35.00'$   
 $L = 67.53'$   
 $E = 5.73'$   
 P.C. STA. = 9+00.76  
 P.T. STA. = 9+68.29

EXIST. CURVE 250  
 PI STA. = 252+47.00  
 $\Delta = 6^\circ 48' 13''$  (LT)  
 $D = 0^\circ 39' 03''$   
 $R = 8,802.97'$   
 $T = 523.28'$   
 $L = 1,045.32'$   
 $E = 15.54'$   
 P.C. STA. = 247+23.72  
 P.T. STA. = 257+69.04  
 SE = N.C.

PLAN	SURVEYED	DATE
	PLOTTED	BY
	NOTED	
	NOTE BOOK NO.	
	DATE	
	FILE NAME	



PROFILE	SURVEYED	DATE
	PLOTTED	BY
	NOTED	
	NOTE BOOK NO.	
	DATE	
	FILE NAME	



**THERMOPLASTIC PAVEMENT MARKING LEGEND**

- A** 5" SOLID (WHITE)
- B** 5" SKIP-DASH (YELLOW)
- C** 5" SOLID (YELLOW)
- D** 5" DOUBLE YELLOW (WIDE)

**PREFORMED PLASTIC PAVEMENT MARKING, TYP. B LEGEND**

- 1** 6" SOLID (WHITE)
- 2** 24" STOP BAR (WHITE)
- 3** 6" CROSSWALKS (WHITE)
- 4** LETTERS & SYMBOLS
- 5** 12" DIAGONAL (WHITE)
- 6** 12" DIAGONAL (YELLOW)

REVISIONS	
NAME	DATE

ILLINOIS DEPARTMENT OF TRANSPORTATION

**F.A.P. ROUTE 325  
 PLAN SHEET 1 OF 7  
 (PART "A")**

DATE 3/2004  
 DRAWN BY MLO  
 CHECKED BY SJK