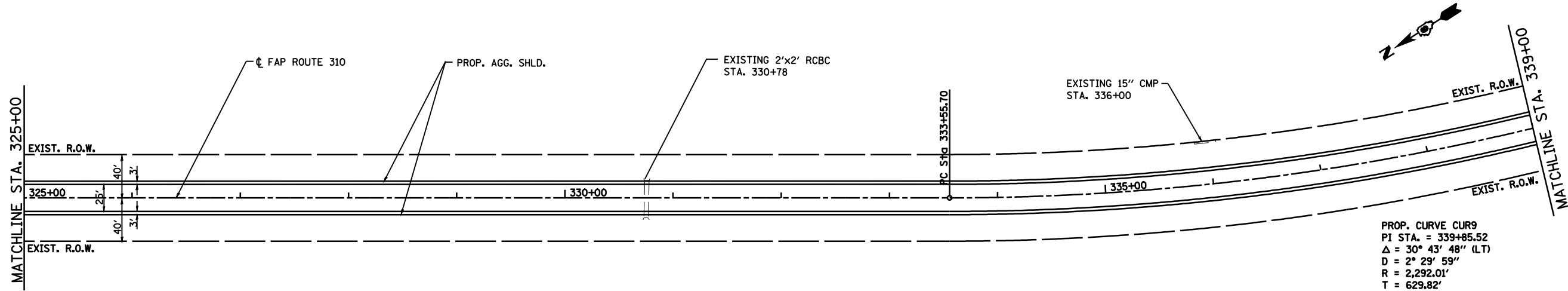
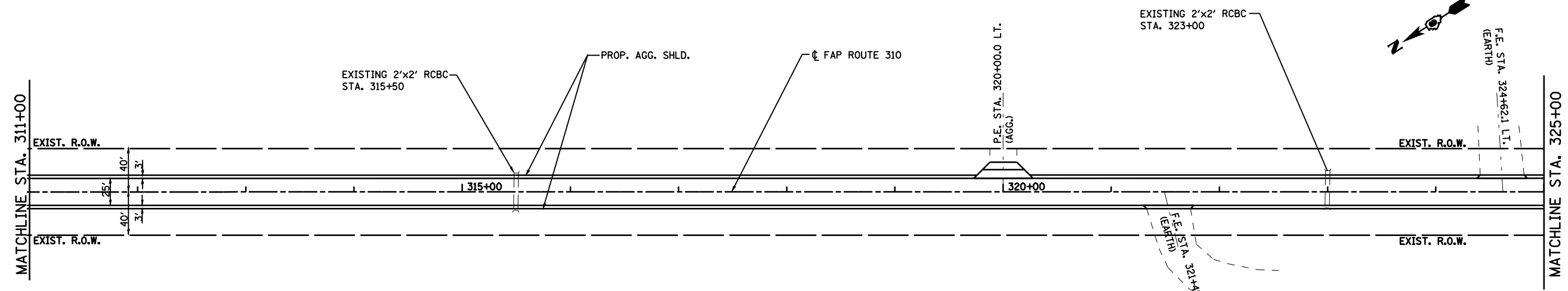


F.A.P. RTE.	SECTION	COUNTY	TOTAL SHEETS	SHEET NO.
310	•	CASS	33	20
STA. 311+00	TO STA. 339+00			
FED. ROAD DIST. NO.	ILLINOIS	FED. AID PROJECT		
• 114(RS-3); 115(RS-3)			72830	



PROP. CURVE CUR9
 PI STA. = 339+85.52
 $\Delta = 30^\circ 43' 48''$ (LT)
 $D = 2^\circ 29' 59''$
 $R = 2,292.01'$
 $T = 629.82'$
 $L = 1,229.30'$
 $E = 84.96'$
 $e = 5.1\%$
 $T.R. = 39.60'$
 $S.E. RUN = 134.70'$
 $P.C. STA. = 333+55.70$
 $P.T. STA. = 345+85.00$

25' 0 25' 50'
 SCALE: 1" = 50'

REVISIONS	
NAME	DATE

ILLINOIS DEPARTMENT OF TRANSPORTATION
PLAN
 FAP ROUTE 310 (US 67)
 SECTION 114 (RS-3); 115 (RS-3)
 CASS COUNTY
 SCALE: 1"=50'
 DATE: 11/2003
 DRAWN BY: FCX
 CHECKED BY: FML