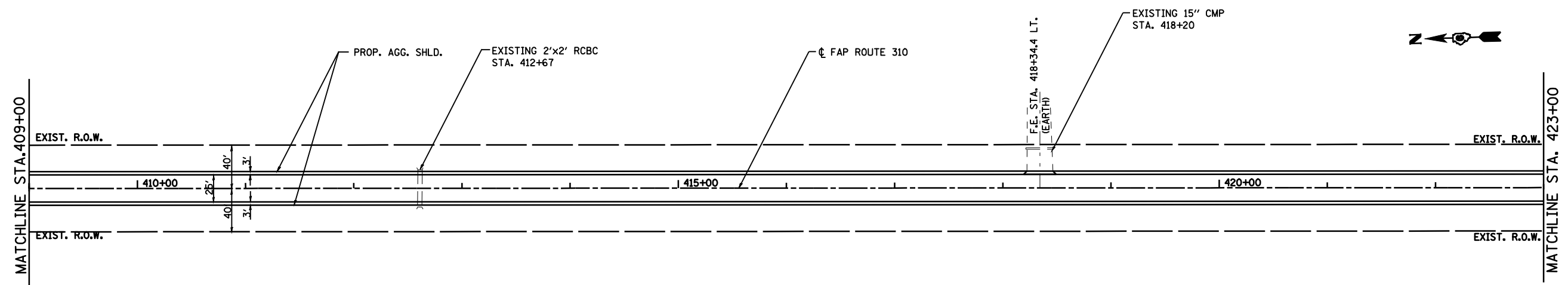
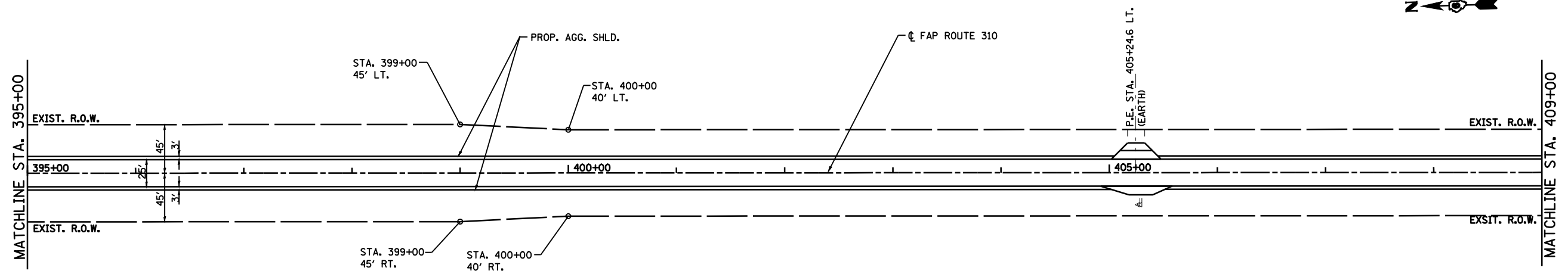


F.A.P. RTE.	SECTION	COUNTY	TOTAL SHEETS	SHEET NO.
310	•	CASS	33	23
STA. 395+00	TO STA. 423+00			
FED. ROAD DIST. NO.	ILLINOIS	FED. AID PROJECT		
• 114(RS-3); 115(RS-3)			72830	



25' 0 25' 50'
SCALE: 1" = 50'

REVISIONS	
NAME	DATE

ILLINOIS DEPARTMENT OF TRANSPORTATION
PLAN
FAP ROUTE 310 (US 67)
SECTION 114 (RS-3); 115 (RS-3)
CASS COUNTY
SCALE: 1"=50'
DATE: 11/2003
DRAWN BY: FCX
CHECKED BY: FML