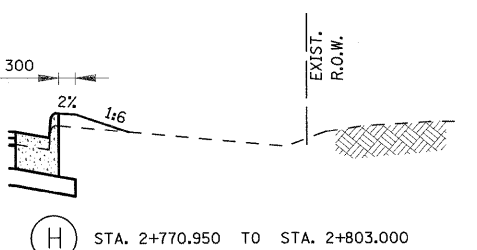
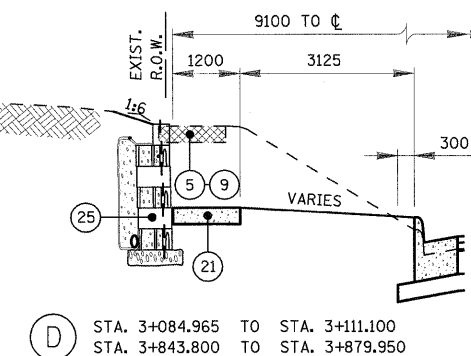
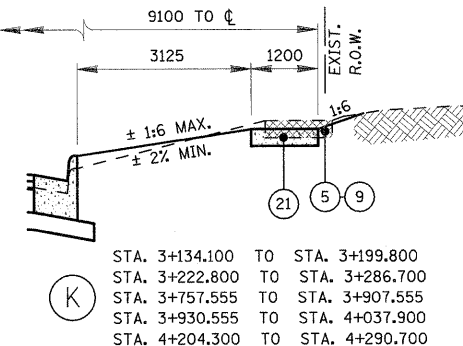
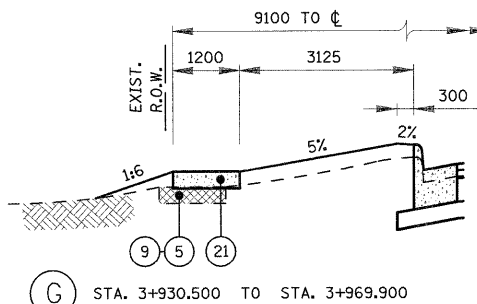
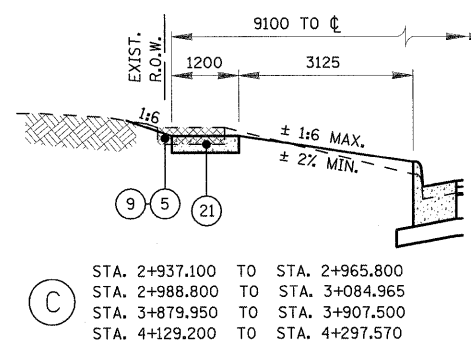
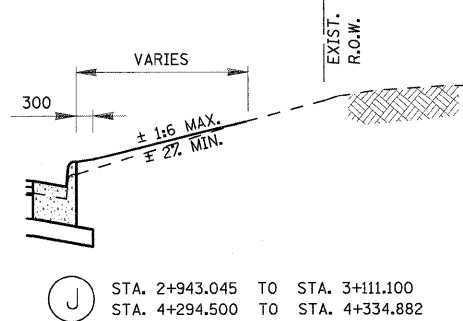
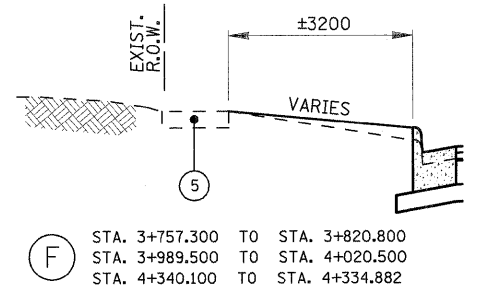
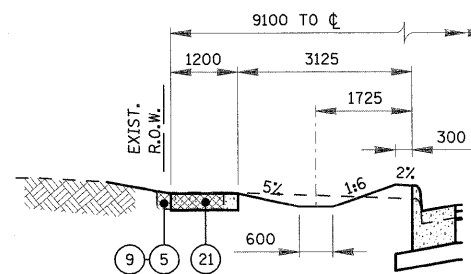
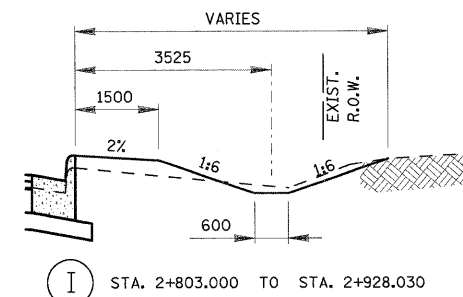
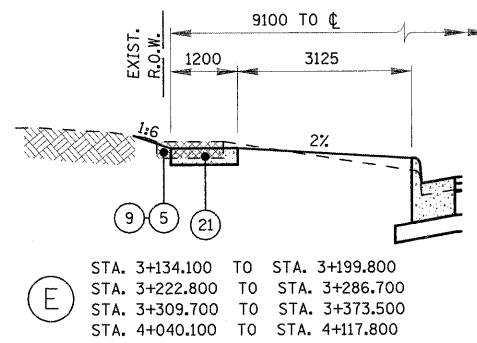
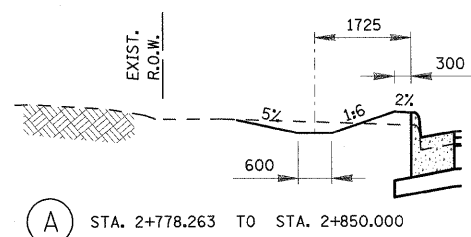
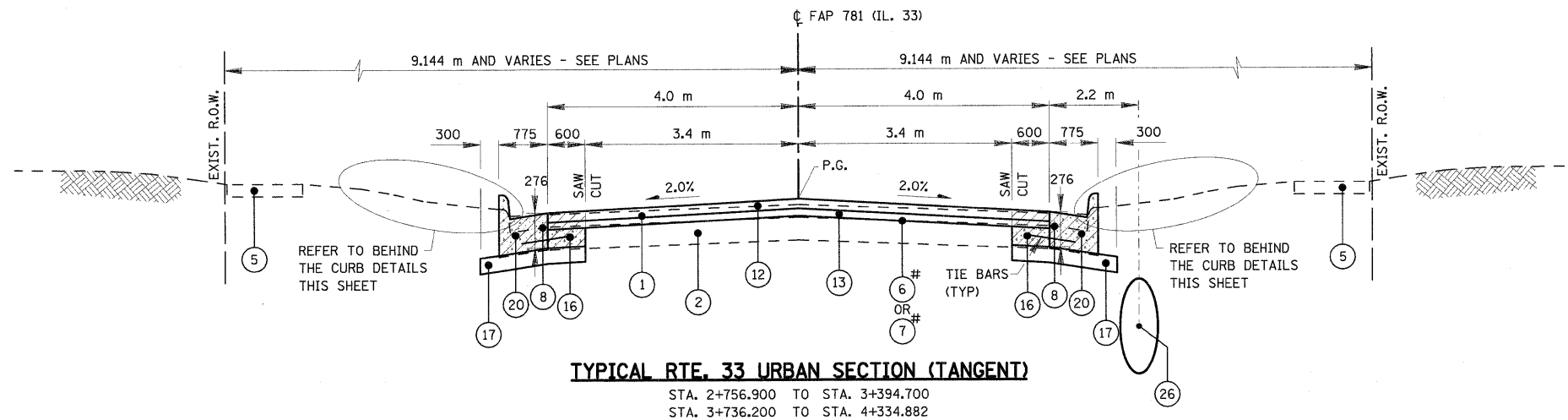


| F.A.P. RTE.         | SECTION | COUNTY   | TOTAL SHEETS     | SHEET NO. |
|---------------------|---------|----------|------------------|-----------|
| 781                 | 2ZRS-1  | CRAWFORD | 191              | 16        |
| STA.                |         | TO STA.  |                  |           |
| FED. ROAD DIST. NO. |         | ILLINOIS | FED. AID PROJECT |           |



**LEGEND**

- ① EXISTING BITUMINOUS SURFACE
- ② EXISTING P.C. CONCRETE BASE
- ③ EXISTING EARTH SHOULDER
- ④ EXISTING CONCRETE CURB AND GUTTER
- ⑤ EXISTING CONCRETE SIDEWALK
- ⑥ M4400715 - HOT-MIX ASPHALT SURFACE REMOVAL, 15mm  
 M4400725 - HOT-MIX ASPHALT SURFACE REMOVAL, 25mm  
 M4400740 - HOT-MIX ASPHALT SURFACE REMOVAL, 40mm
- ⑦ M4400950 - HOT-MIX ASPHALT SURFACE REMOVAL, VARIABLE DEPTH
- ⑧ M4402000 - PAVEMENT REMOVAL
- ⑨ M4402050 - SIDEWALK REMOVAL
- ⑩ EXISTING AGGREGATE SHOULDER
- ⑪ M4820550 - HOT-MIX ASPHALT SHOULDERS, 150mm
- ⑫ M4063340 - HOT-MIX ASPHALT SURFACE COURSE, MIX "D", N70 (38mm)
- ⑬ M4062135 - LEVELING BINDER (MACHINE METHOD), N70
- ⑭ EXISTING BITUMINOUS PAVEMENT
- ⑮ EXISTING BITUMINOUS SHOULDER
- ⑯ M3530200 - PORTLAND CEMENT CONCRETE BASE COURSE, 200mm
- ⑰ M3111100 - SUB-BASE GRANULAR MATERIAL, TYPE B, 100mm
- ⑱ M4810150 - AGGREGATE SHOULDERS, TYPE B 150mm
- ⑲ M6060700 - COMBINATION CONCRETE CURB & GUTTER, TYPE B-15.60
- ⑳ M4240100 - P.C. CONCRETE SIDEWALK, 100mm
- ㉑ M2112500 - TOPSOIL EXCAVATION
- ㉒ M2112500 - TOPSOIL PLACEMENT
- ㉓ M2021200 - REMOVAL AND DISPOSAL OF UNSUITABLE MATERIAL
- ㉔ M2034730 - MODULAR RETAINING WALL SYSTEM
- ㉕ PROPOSED STORM SEWER TRUNKLINE

# SEE HMA SURFACE REMOVAL SCHEDULE FOR LIMITS

| REVISIONS |      | ILLINOIS DEPARTMENT OF TRANSPORTATION        |                |
|-----------|------|--|----------------|
| NAME      | DATE |  |                |
|           |      | <b>TYPICAL SECTIONS</b><br><b>F.A.P. 781</b> |                |
|           |      |  |                |
|           |      |  |                |
|           |      |  |                |
|           |      | SCALE NO SCALE                               | DRAWN BY KOJ   |
|           |      | DATE FEBRUARY 6, 2009                        | CHECKED BY LWJ |

PLOT DATE = 2/6/2009  
 FILE NAME = H:\4420\Contract 74349\SHI\_001\_tuprac.dgn