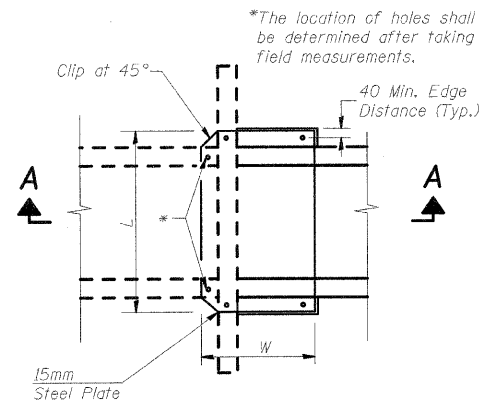


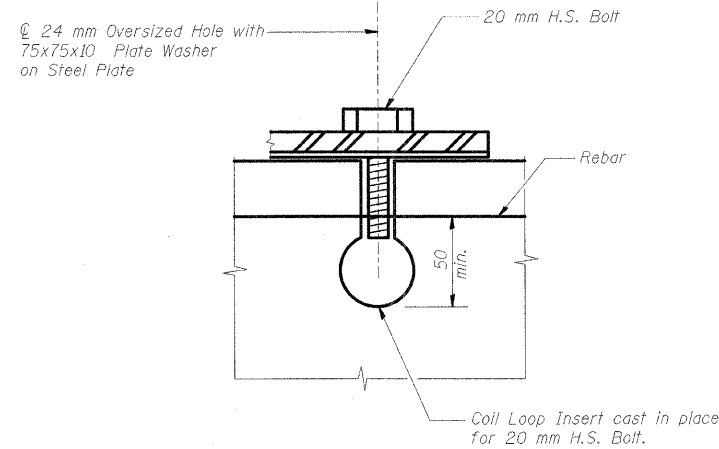
F.A.P. RTE.	SECTION	COUNTY	TOTAL SHEETS	SHEET NO.
781	2ZRS-1	CRAWFORD	191	136
STA.		TO STA.		
FED. ROAD DIST. NO.	ILLINOIS	FED. AID PROJECT		



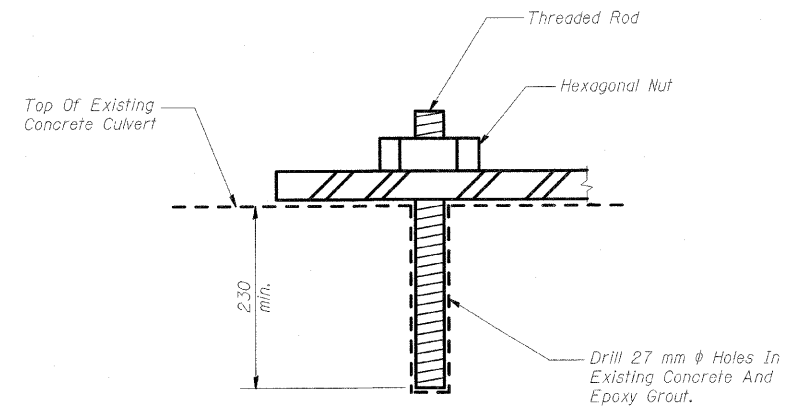
**PLAN
DETAIL OF STEEL PLATE
ATTACHMENT**

Box No.	Location	Size L x W
1	Upstream Collar	1500 x 700 **
4	Downstream Collar	1500 x 700 **

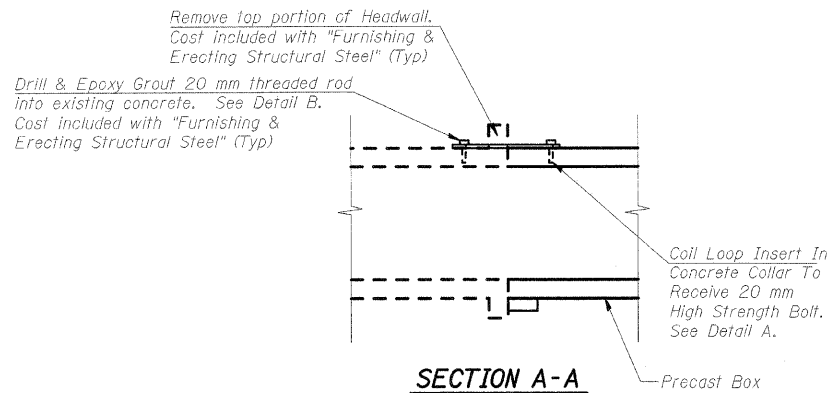
**Contractor to verify dimensions based on actual culvert size provided by the fabricator.



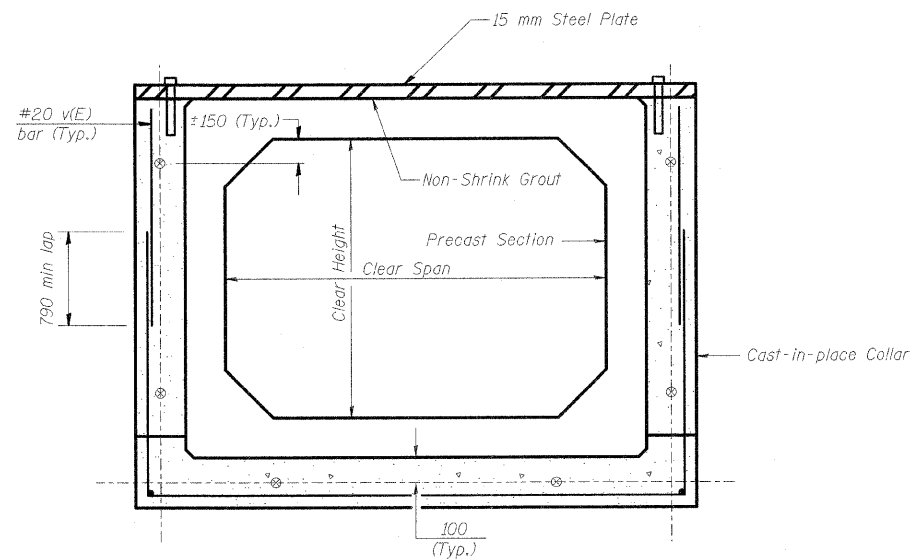
DETAIL A



DETAIL B



SECTION A-A



**MODIFIED COLLAR DETAIL WITH
STEEL PLATE AT TOP**

See Sheet S17 of 19 for Collar Details and Reinforcement Bar List.

NOTES

The Steel Plate & Hardware shall be Galvanized in accordance with AASHTO M232, AASHTO M111 and ASTM A385.

REVISIONS		ILLINOIS DEPARTMENT OF TRANSPORTATION	
NAME	DATE		
LWJ	2-02-09	BOX CULVERT EXTENSIONS MISCELLANEOUS DETAILS	
SCALE	NONE	DRAWN BY	MLB
DATE	DECEMBER 10, 2006	CHECKED BY	MTH