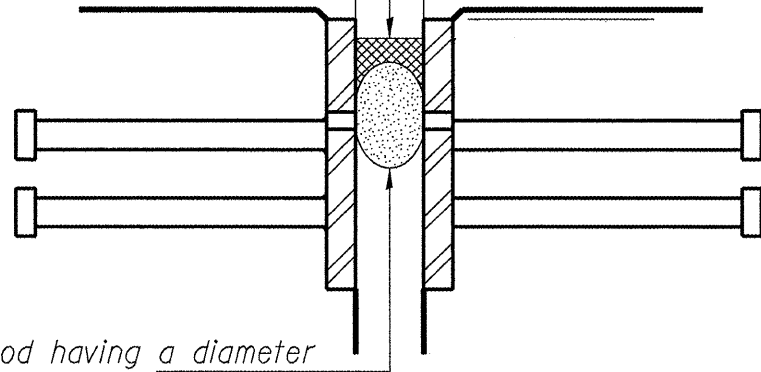


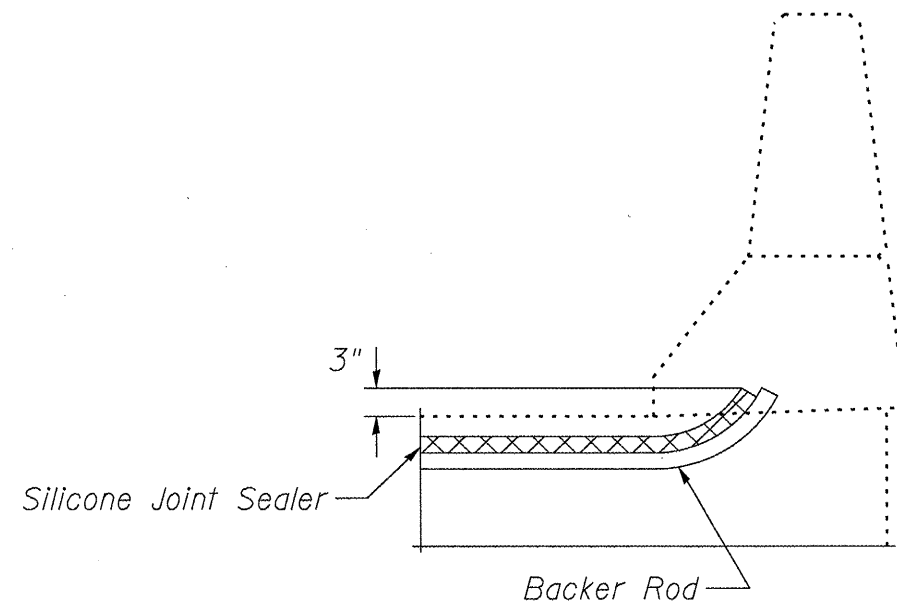
**SILICONE JOINT SEALER DETAIL**

2<sup>3</sup>/<sub>4</sub>" N. Abut, SN 028-0014  
 1<sup>3</sup>/<sub>4</sub>" S. Abut, SN 028-0014  
 2<sup>3</sup>/<sub>4</sub>" Typ. SN 028-0011  
 Silicone Joint Sealer



Backer Rod having a diameter  
 25% greater than the joint  
 opening at the time of installation.

Cost of removing the existing PJS is included  
 with the cost of Silicone Joint Sealer.



**END OF SEAL TREATMENT**

FILE NAME =	USER NAME = *USER*	DESIGNED -	REVISED -	<b>STATE OF ILLINOIS DEPARTMENT OF TRANSPORTATION</b>	<b>SILICONE JOINT SEALER AND PARAPET DETAILS</b>	F.A.I. RTE.	SECTION	COUNTY	TOTAL SHEETS	SHEET NO.
#FILEL*		DRAWN -	REVISED -			57	*	FRANKLIN	47	46
	PLDT SCALE = *SCALE*	CHECKED -	REVISED -			ILLINOIS FED. AID PROJECT		<b>CONTRACT NO. 78112</b>		
	PLDT DATE = *DATE*	DATE -	REVISED -			SCALE:	SHEET NO.	OF	SHEETS	STA.