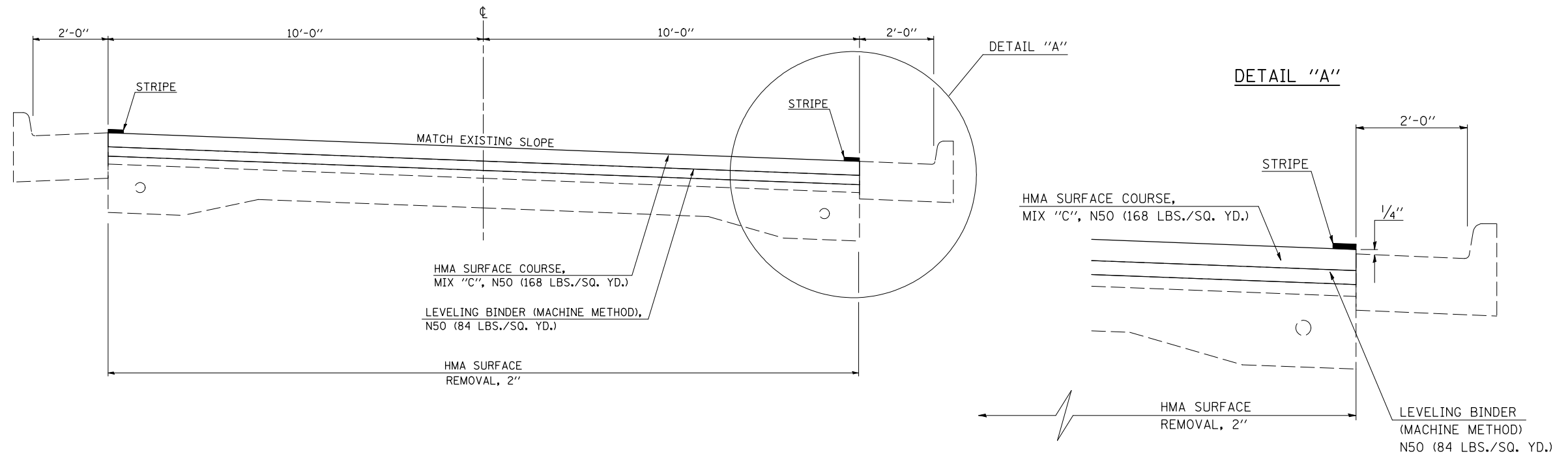


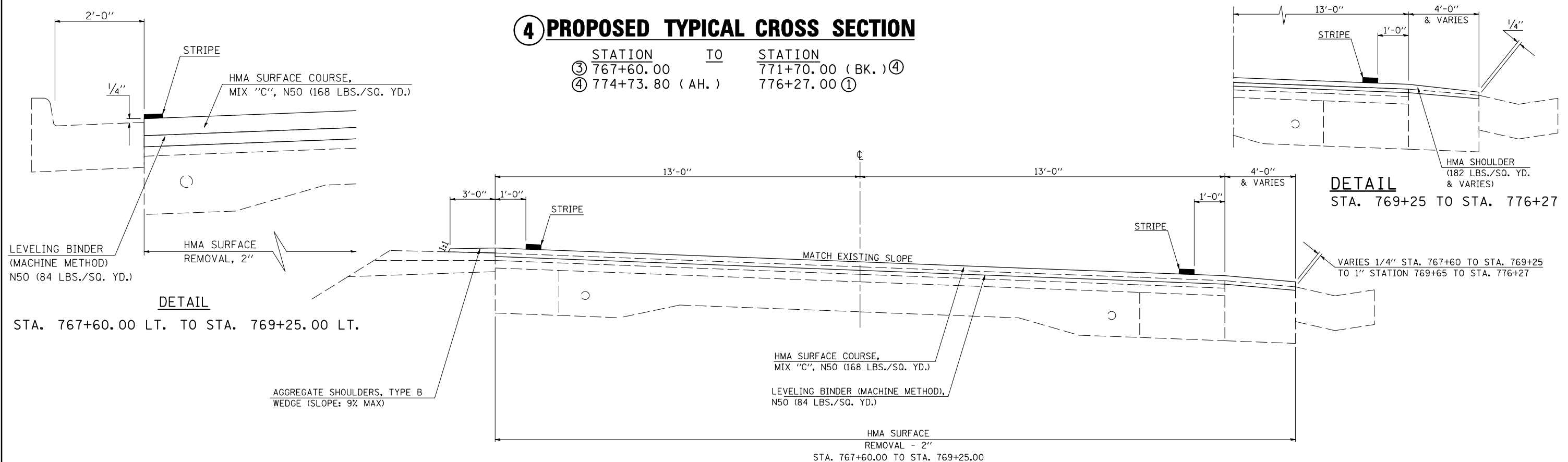
3 PROPOSED TYPICAL CROSS SECTION

STATION ② 760+00.00 TO STATION 767+60.00 ④



4 PROPOSED TYPICAL CROSS SECTION

STATION ③ 767+60.00 TO STATION 771+70.00 (BK.) ④
 ④ 774+73.80 (AH.) 776+27.00 ①



FILE NAME =	USER NAME = ppersonbr	DESIGNED - BJM	REVISED -	STATE OF ILLINOIS DEPARTMENT OF TRANSPORTATION	PROPOSED TYPICAL CROSS SECTIONS			F.A.P. RTE.	SECTION	COUNTY	TOTAL SHEETS	SHEET NO.
ct:\pwork\pwork\PIERSONBR\d0107117\90914\details.dgn	DRAWN - BBP	REVISED -	711					116RS-3	VERMILION	51	14	
PLOT SCALE = 40.0000' / IN.	CHECKED - BJM	REVISED -	CONTRACT NO. 90914									
PLOT DATE = 1/29/2009	DATE - 11/28/07	REVISED -	FED. ROAD DIST. NO.		ILLINOIS FED. AID PROJECT							