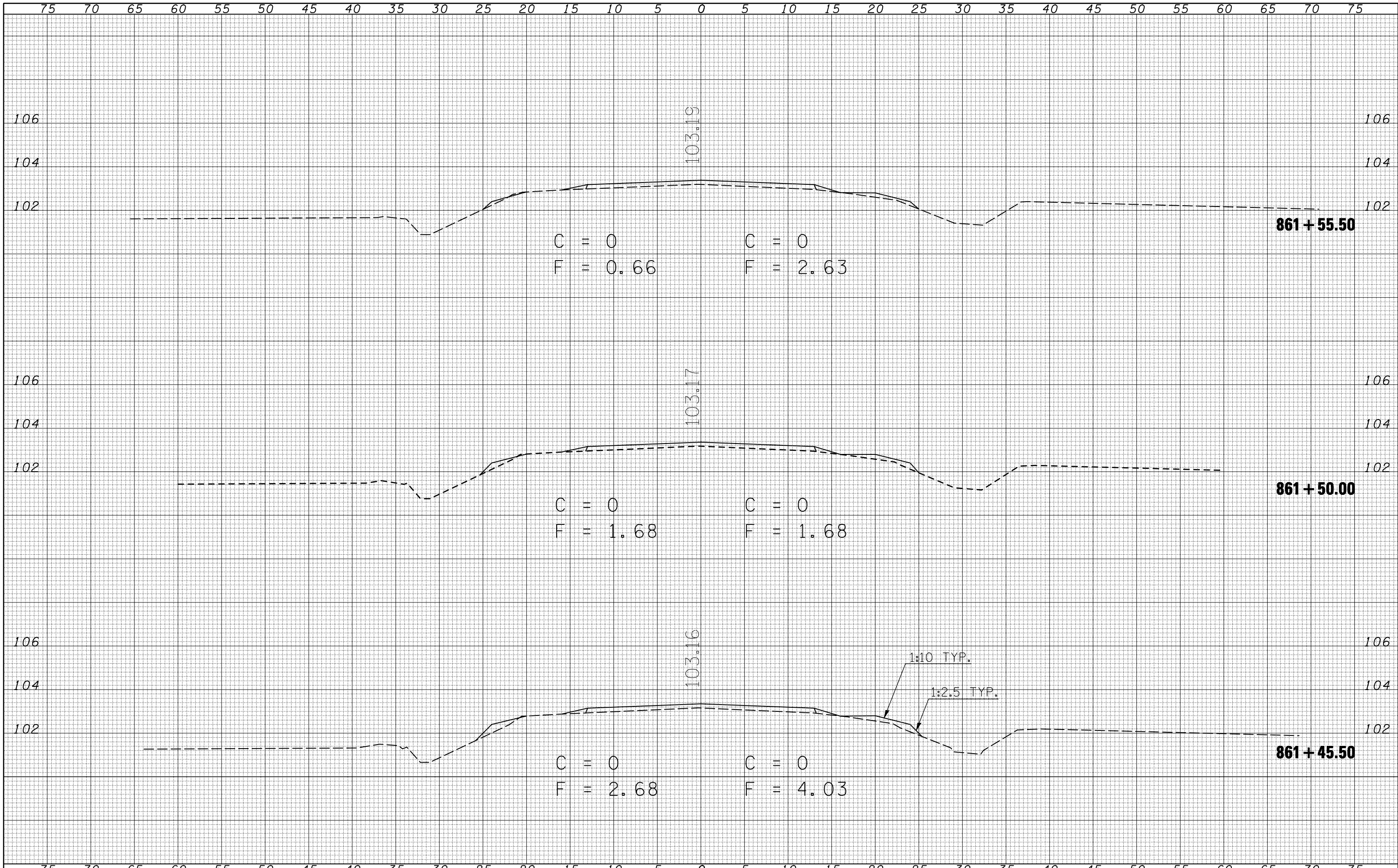


DATE	
BY	
SURVEYED	
PLOTTED	
TEMPLATE	
AREAS	
CHECKED	
FINAL SURVEY	
NOTE BOOK	
NO.	

DATE	
BY	
SURVEYED	
PLOTTED	
TEMPLATE	
AREAS	
CHECKED	
ORIGINAL SURVEY	
NOTE BOOK	
NO.	



FILE NAME =	USER NAME = piersonbr	DESIGNED - BJM	REVISED -	<b>STATE OF ILLINOIS DEPARTMENT OF TRANSPORTATION</b>	<b>CROSS SECTIONS</b>			F.A.P. RTE.	SECTION	COUNTY	TOTAL SHEETS	SHEET NO.
ca:\pwork\PIWIDOT\PIERSONBR\0107117\8310-8311...sheets.dgn		DRAWN - BBP	REVISED -		711	116RS-3	VERMILION	51	50			
PLOT SCALE = 10.0000' / IN.		CHECKED -	REVISED -		SCALE:			FED. ROAD DIST. NO.	ILLINOIS FED. AID PROJECT	CONTRACT NO. 90914		
PLOT DATE = 1/29/2009		DATE - 03/07/08	REVISED -		SHEET NO.	OF	SHEETS	STA. 861+45.50	TO STA. 861+55.50			