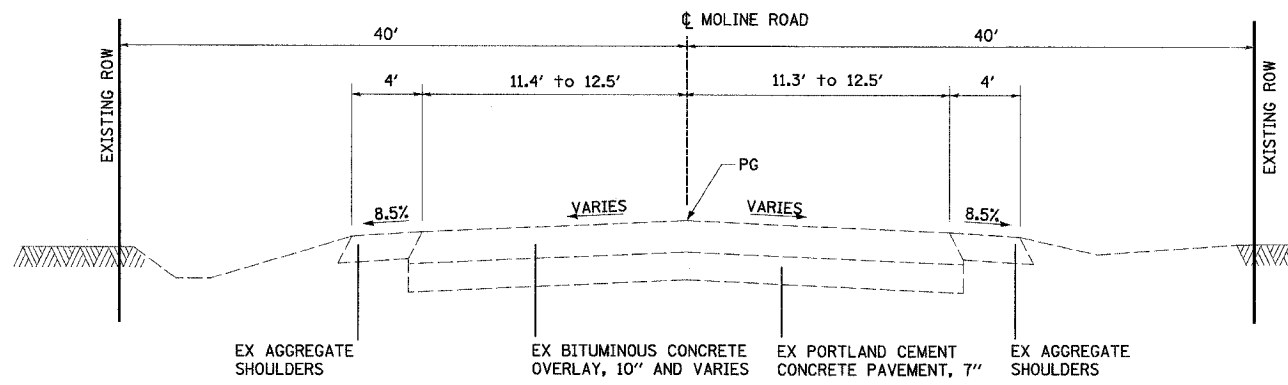


FILE NO.	SECTION	COUNTY	TOTAL SHEETS	SHEET NO.
1197	105 BR-2 & 105-T	WHITESIDE	59	4
STA. 224+00		TO STA. 232+00		

EXISTING CONDITIONS:  
CONTRACT 64421

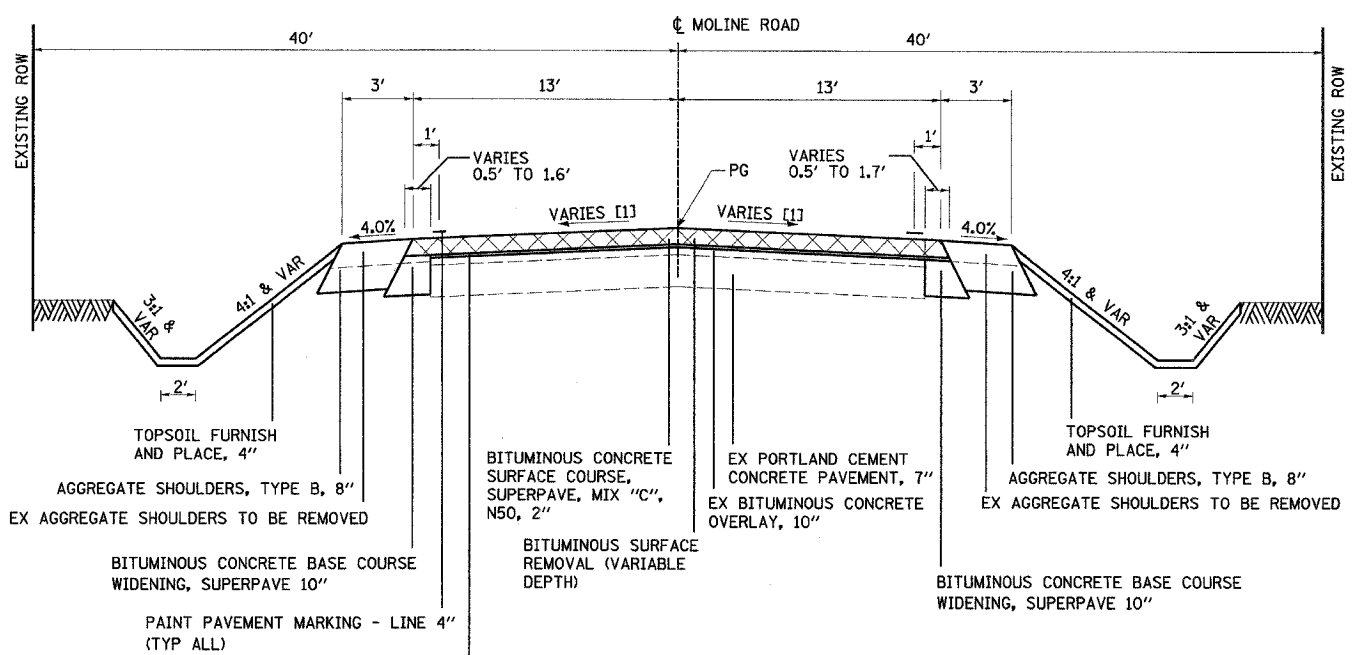


**EXISTING TYPICAL ROADWAY SECTION**

N.T.S.

STA 224+00.00 TO STA 229+58.29  
STA 229+58.29 TO STA 230+05.43 EX BRIDGE OMISSION  
STA 230+05.43 TO STA 232+00

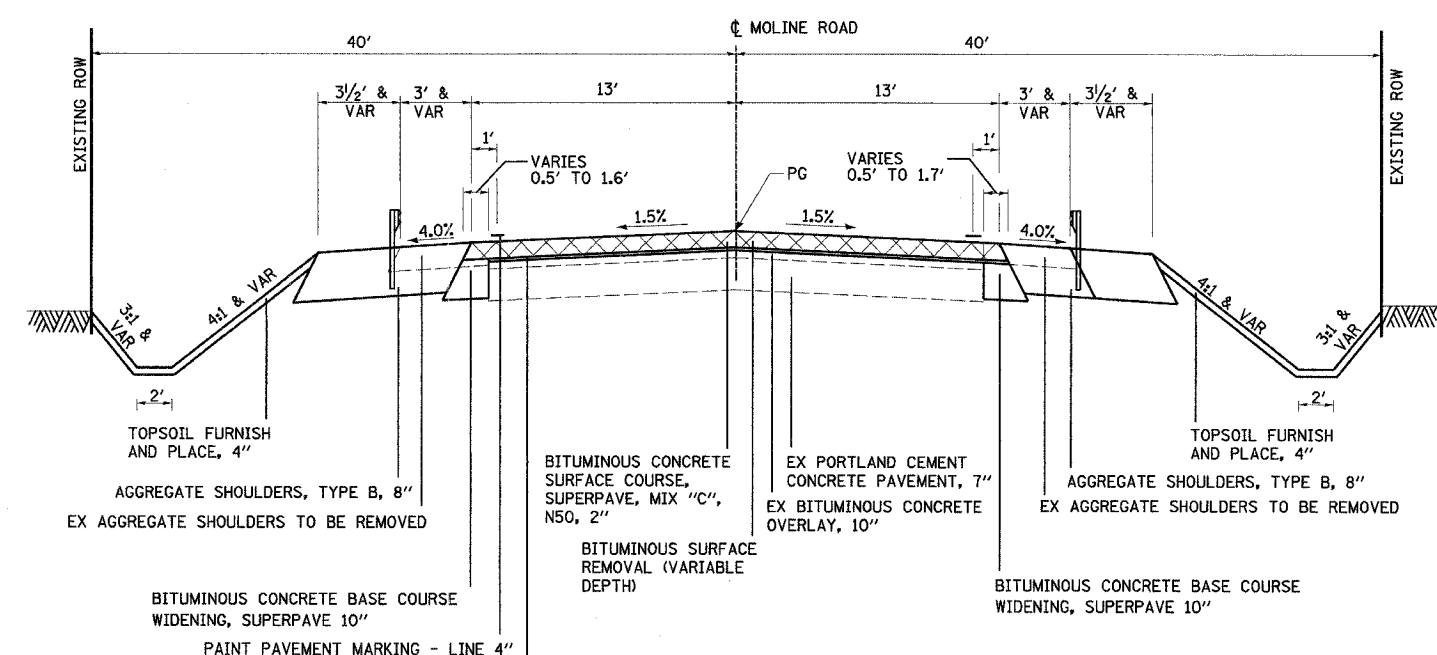
PLAN	DATE
REVISED	
NOTED	
ALIGNED	
DESIGNED	
CHECKED	
BY	
DATE	
FILE NAME	
NO.	



**PROPOSED TYPICAL ROADWAY SECTION**

N.T.S.

STA 224+00.00 LT TO STA 227+93.09 LT  
STA 224+00.00 RT TO STA 227+81.89 RT  
STA 231+53.31 LT TO STA 232+00.00 LT  
STA 231+44.30 RT TO STA 232+00.00 RT



**PROPOSED TYPICAL ROADWAY SECTION**

N.T.S.

STA 227+93.09 LT TO STA 228+65.50  
STA 227+81.89 RT TO STA 228+65.50  
STA 225+65.50 TO STA 228+71.72  
STA 228+71.72 TO STA 229+01.72  
STA 229+01.72 TO STA 230+33.27  
STA 230+33.27 TO STA 230+63.27  
STA 230+63.27 TO STA 230+69.49  
STA 230+69.49 TO STA 231+53.31 LT  
STA 230+69.49 TO STA 231+44.30 RT

**PAVEMENT TRANSITION SCHEDULE**

STA	CROSS SLOPE		EDGE OF PAVEMENT ELEVATION	
	LT	RT	LT	RT
224+00.00	0.06%	2.44%	619.11	618.80
224+25.38	1.00%	1.50%	618.99	618.93
224+38.88	1.50%	1.50%	618.94	618.94
231+27.10	1.50%	1.50%	618.92	618.92
231+67.60	3.00%	0.00%	618.67	619.06
231+94.60	4.00%	1.00%	618.53	619.18
232+00.00	4.00%	1.20%	618.53	619.21

[1] SEE PAVEMENT TRANSITION SCHEDULE FOR CROSS SLOPES

NOTE:

- BRIDGE APPROACH PAVEMENT CONNECTOR (FLEXIBLE) CONSISTS OF BITUMINOUS CONCRETE SURFACE COURSE, SUPERPAVE, MIX "C", N50 2" AND BITUMINOUS CONCRETE BINDER COURSE, SUPERPAVE, IL-19.0, N50 7".
- SEE PLAN AND PROFILE SHEETS FOR GUARDRAIL LOCATIONS.
- SEE SHEET 5 FOR APPLICATION RATES.

- BRIDGE APPROACH PAVEMENT CONNECTOR (FLEXIBLE) (SEE STANDARD)
- BRIDGE APPROACH PAVEMENT (SEE STANDARD)
- BRIDGE OMISSION
- BRIDGE APPROACH PAVEMENT (SEE STANDARD)
- BRIDGE APPROACH PAVEMENT CONNECTOR (FLEXIBLE) (SEE STANDARD)

REVISIONS	
NAME	DATE

ILLINOIS DEPARTMENT OF TRANSPORTATION  
FAS ROUTE 1197 (MOLINE ROAD)  
SECTION 105 BR-2  
WHITESIDE COUNTY

**TYPICAL SECTIONS**

DRAWN BY: HLC

BITUMINOUS SURFACE REMOVAL (VARIABLE DEPTH)

11/3/2004  
DATE TIME  
NON-SPEC  
REF