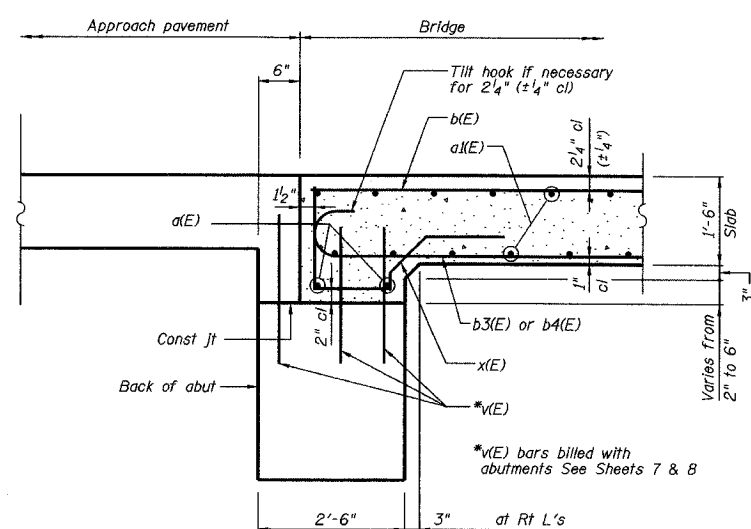
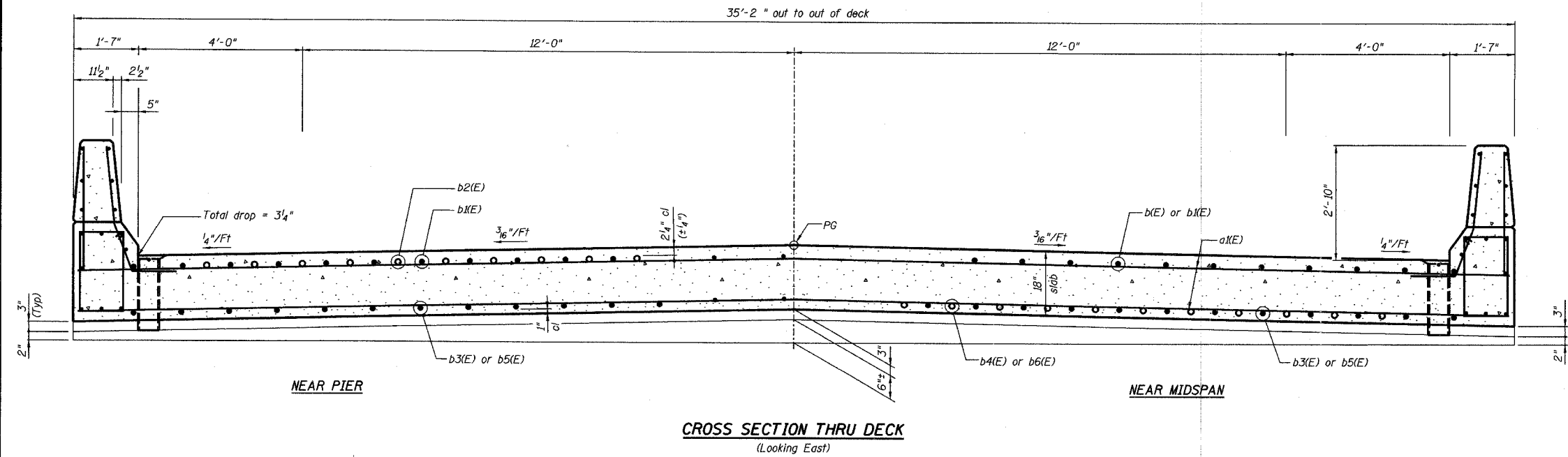


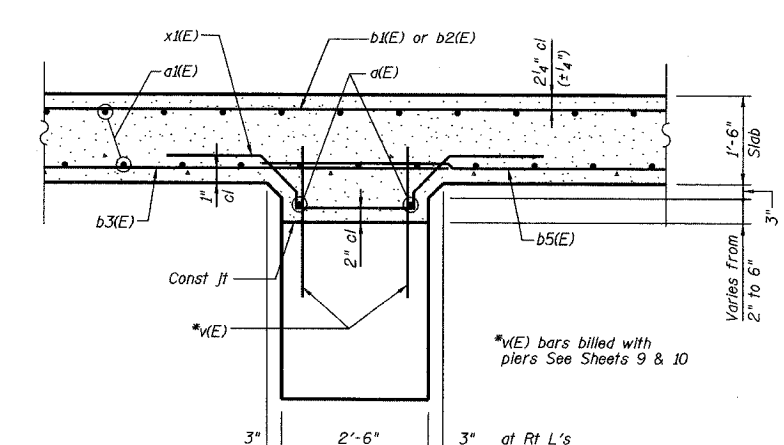
STATE OF ILLINOIS
DEPARTMENT OF TRANSPORTATION

Sheet No. 5
of 11 Sheets

ROUTE NO.	SECTION	COUNTY	TOTAL SHEETS	SHEET NO.
FAS 1197	105BR-2	WHITESIDE	59	20
FED. ROAD DIST. NO.	ILLINOIS	PROJECT	CONTRACT 64421	



SECTION A-A



SECTION B-B

NOTES:

See Sheet No. 6 of 11 for Superstructure Details, parapet reinforcing and Bill of Material.

Reinforcement bars designated (E) shall be epoxy coated.

Bars indicated thus 6x3-#5 etc indicates 6 lines of bars with 3 lengths per line.

See Sheet No. 1 of 11 for floor drain spacing.

Space reinforcement bars to miss floor drains.

REVISIONS			DRAWN BY DATE	
No.	DATE	INITIALS	R King 8/04	
1			CHECKED BY DATE	
2			CMV 8/04	
3			QA/QC BY DATE	
4			CWC 8/04	
5			BOOK NUMBER	
6			PROJECT No.	
7			4858-3	
8			SHEET No.	
9				
10				
11				
12				

SUPERSTRUCTURE DETAILS			
MOLINE ROAD OVER UNNAMED TRIBUTARY TO ROCK RIVER			
FAS ROUTE 1197	SECTION 105BR-2		
STA 229+67.50	SN 098-0110		
		WHITESIDE COUNTY	
HOMER L. CHASTAIN & ASSOCIATES, LLP CONSULTING ENGINEERS 184-001397			