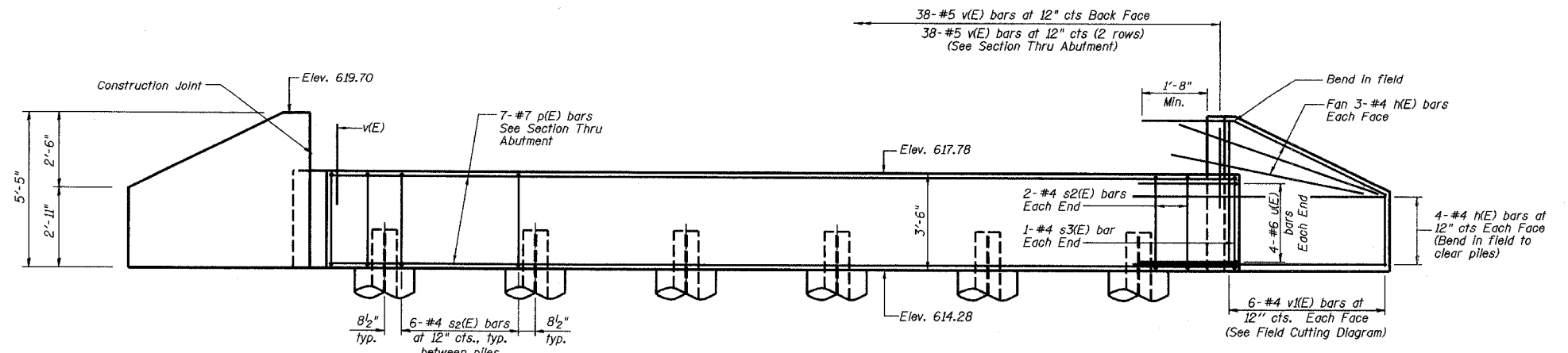


STATE OF ILLINOIS  
DEPARTMENT OF TRANSPORTATION

ROUTE NO.	SECTION	COUNTY	TOTAL SHEETS	SHEET NO.
FAS 1197	105BR-2	WHITESIDE	59	22
FED. ROAD DIST. NO.	ILLINOIS	PROJECT		

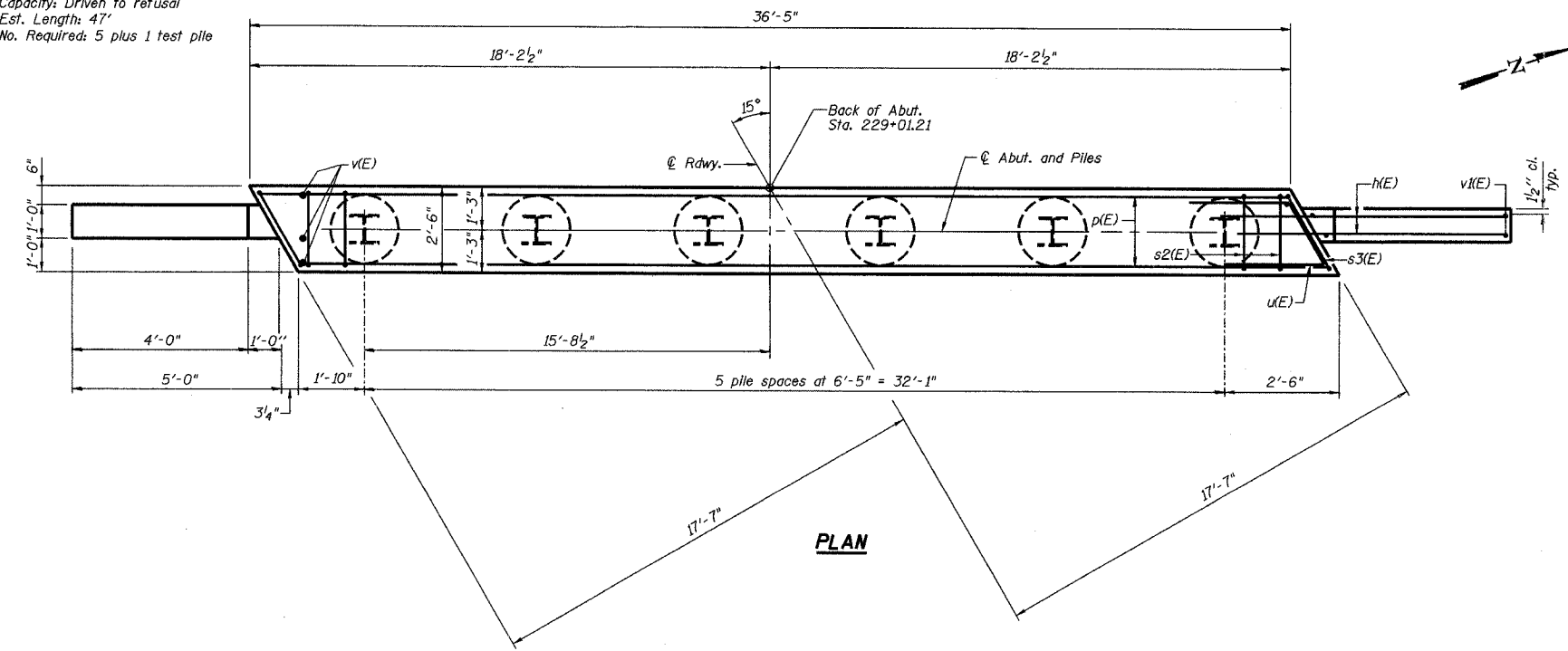
Sheet No. 7  
of 11 Sheets

CONTRACT 64421

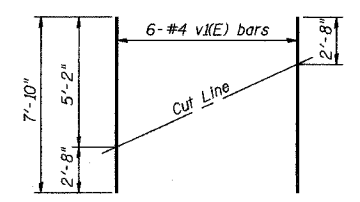
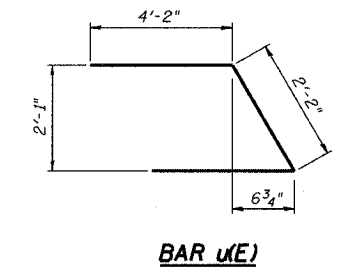
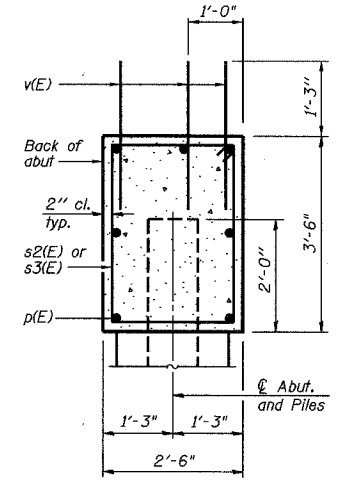
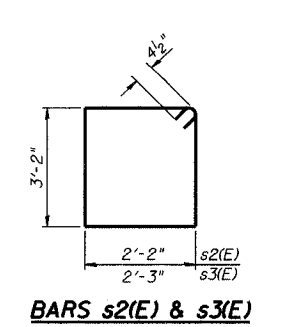


**ELEVATION**  
(Looking West)

**PILE DATA**  
Type: HP12x63  
Capacity: Driven to refusal  
Est. Length: 47'  
No. Required: 5 plus 1 test pile



**PLAN**

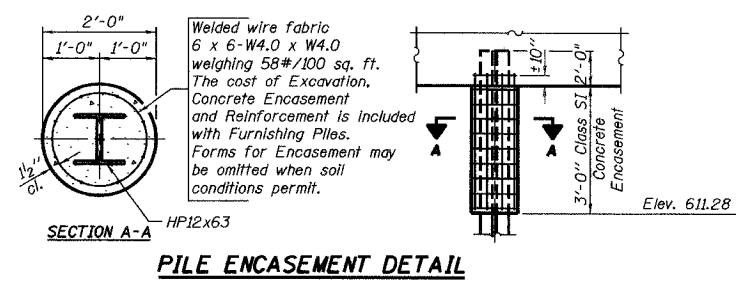


Order v1(E) full length. Cut as shown and use remainder of bars in opposite face.

**BILL OF MATERIAL**

Bar	No.	Size	Length	Shape
h(E)	28	#4	7'-3"	—
p(E)	7	#7	36'-1"	—
s2(E)	34	#4	11'-5"	⌈
s3(E)	2	#4	11'-7"	⌈
u(E)	8	#6	10'-6"	⌋
v(E)	114	#5	3'-5"	—
v1(E)	12	#4	7'-10"	—
Structure Excavation		Cu. Yd.	35	
Concrete Structures		Cu. Yd.	13.4	
Reinforcement Bars, Epoxy Coated		Pound	1520	
Furnishing Steel Piles HP12x63		Foot	235	
Driving Steel Piles HP12x63		Foot	235	
Test Pile Steel HP12x63		Each	1	

Reinforcement bars designated (E) shall be epoxy coated.



REVISIONS		WEST ABUTMENT DETAILS		DRAWN BY DATE	
No.	DATE	INITIALS	MOLINE ROAD OVER UNNAMED TRIBUTARY TO ROCK RIVER		R King 8/04
1			FAS ROUTE 1197 SECTION 105BR-2		CHECKED BY DATE
2			STA 229+67.50 WHITESIDE COUNTY		CMW 8/04
3			HOMER L. CHASTAIN & ASSOCIATES, LLP CONSULTING ENGINEERS 184-001397		DATE BY DATE
4			PROJECT No. 4858-3		BOOK NUMBER
5					SHEET No.
6					
7					
8					
9					
10					
11					
12					