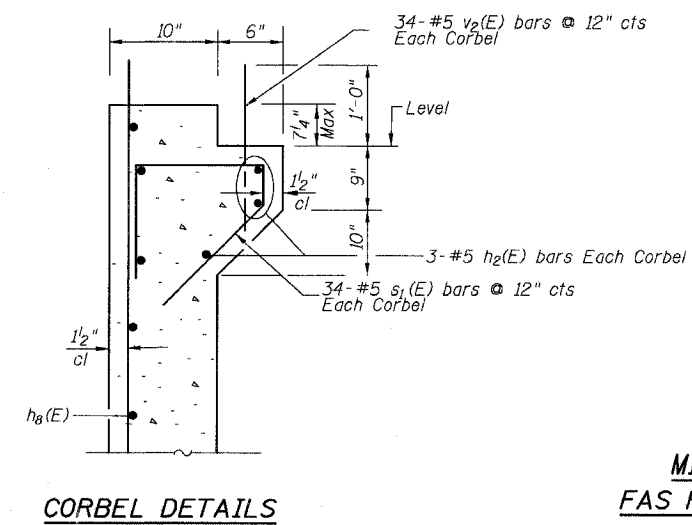
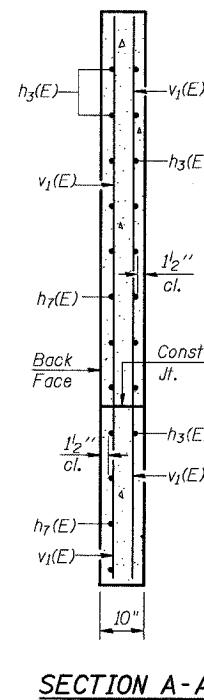
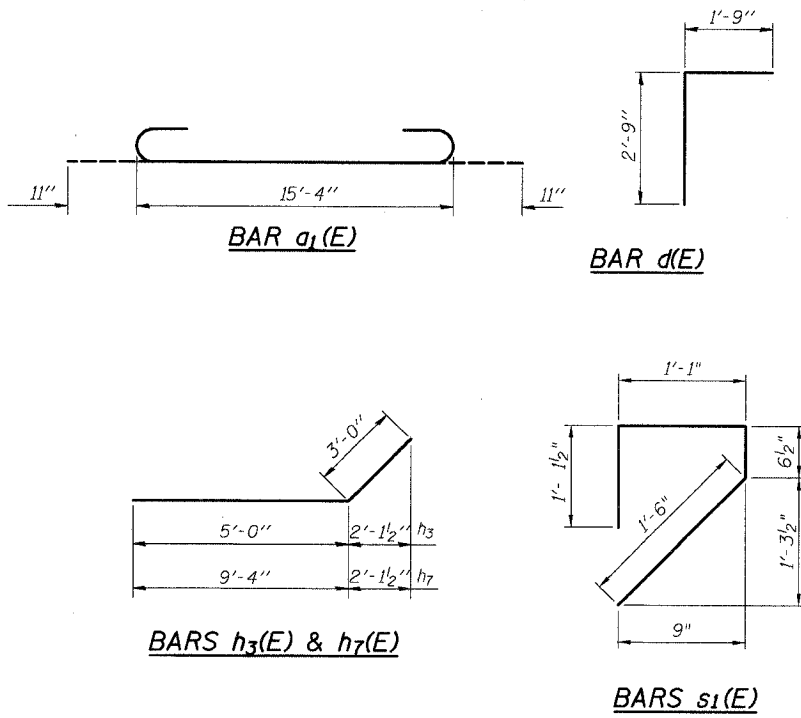
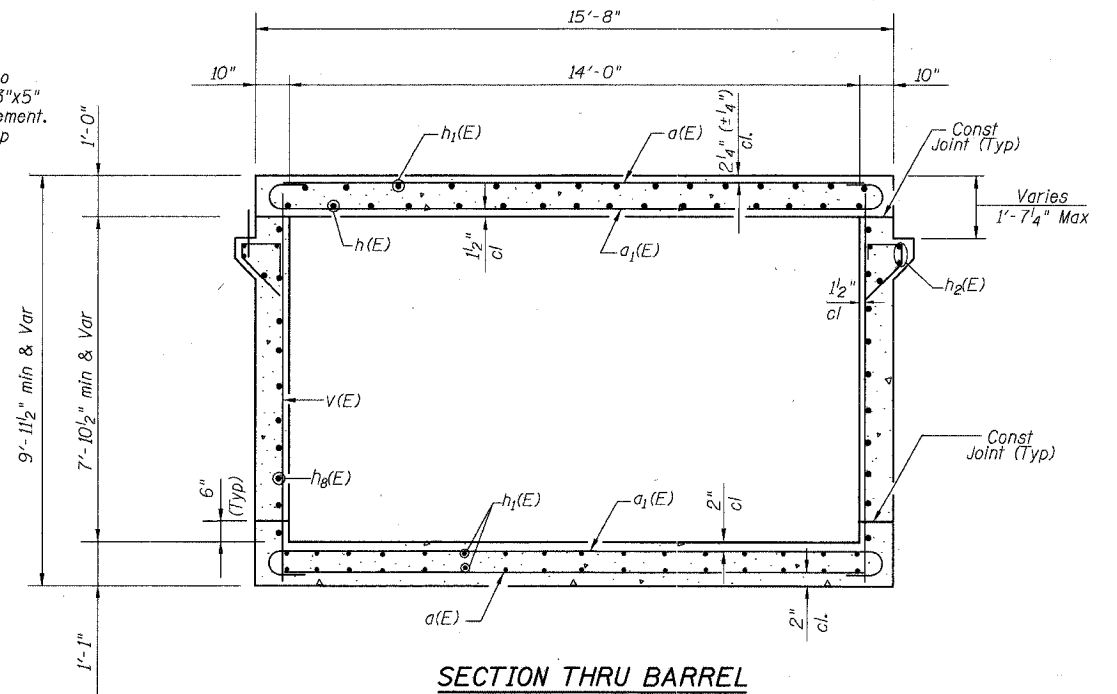
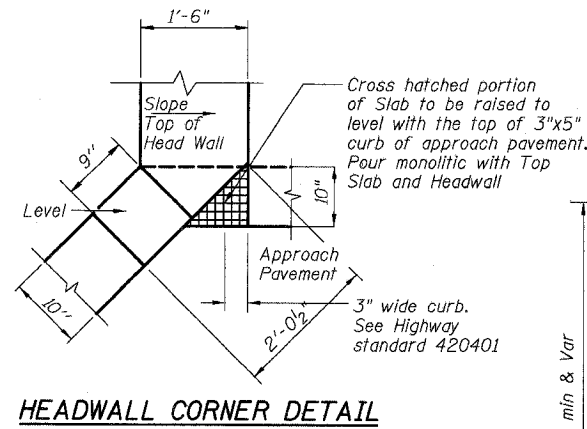
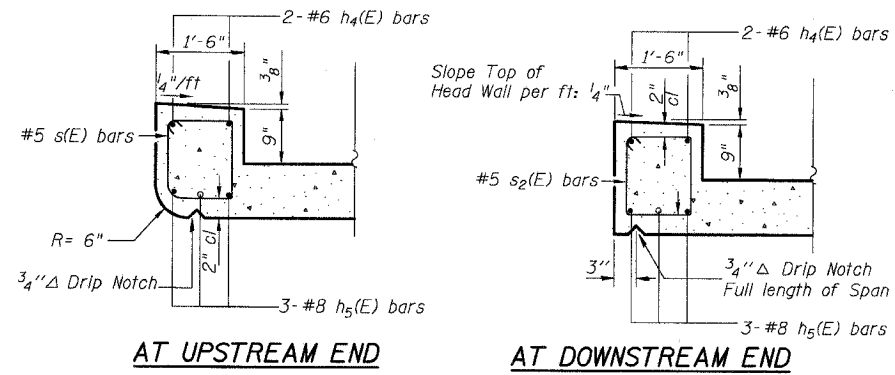
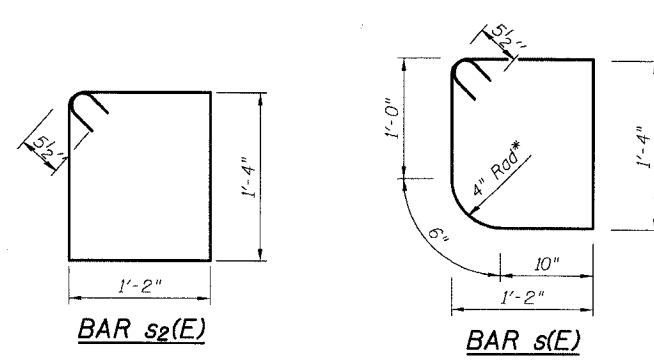


STATE OF ILLINOIS  
DEPARTMENT OF TRANSPORTATION

ROUTE NO. FAS 1197	SECTION 105-T	COUNTY Whiteside	SHEET NO. 59	SHEET NO. 29	SHEET NO. 3 5 SHEETS 64421
FED. ROAD DIST. NO. 7		ILLINOIS		FED. AID PROJECT-	



DESIGNED	-	K.R.G.
CHECKED	-	J.L.K.
DRAWN	-	M.D.
CHECKED	-	J.L.K.



MISCELLANEOUS DETAILS  
FAS ROUTE 1197 - SECTION 105-T  
WHITESIDE COUNTY  
STATION 428+13.00  
STRUCTURE NO. 098-1013

Work this Sheet with Sheet No. 2 of 5.

MID-AMERICA ENGINEERING SERVICES  
975 South Durkan Dr, Springfield IL 62784