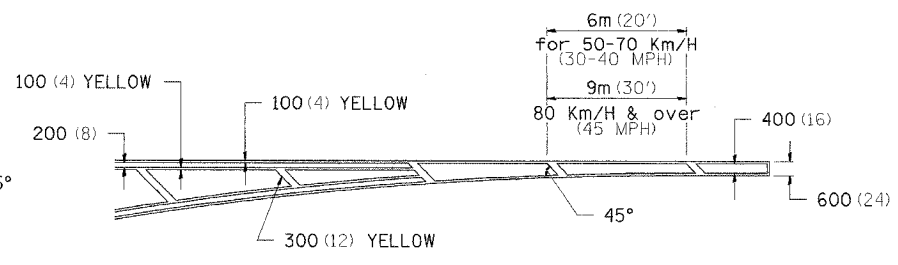
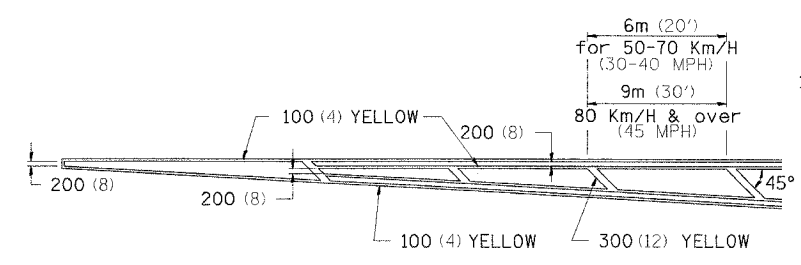


6442

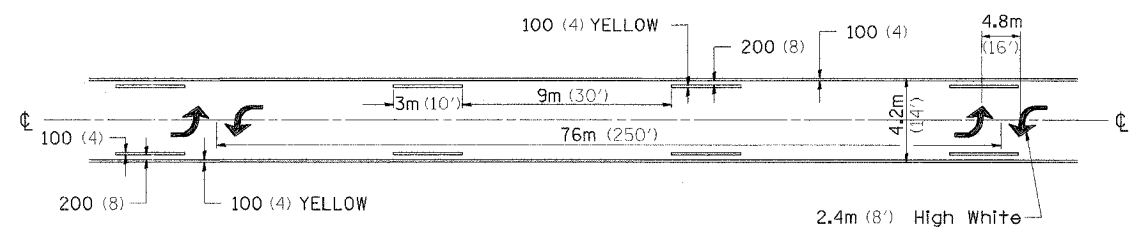
F.A.S. DIST.	SECTION	COUNTY	TOTAL SHEETS	SHEET NO.
1197	106 BR-2 & 105-T	WHITESIDE	59	39
STA. 224+00 & 429+00		TO STA. 232+00 & 425+00		
FED. ROAD DIST. NO.		ILLINOIS		FED. AID PROJECT

TYPICAL PAVEMENT MARKINGS

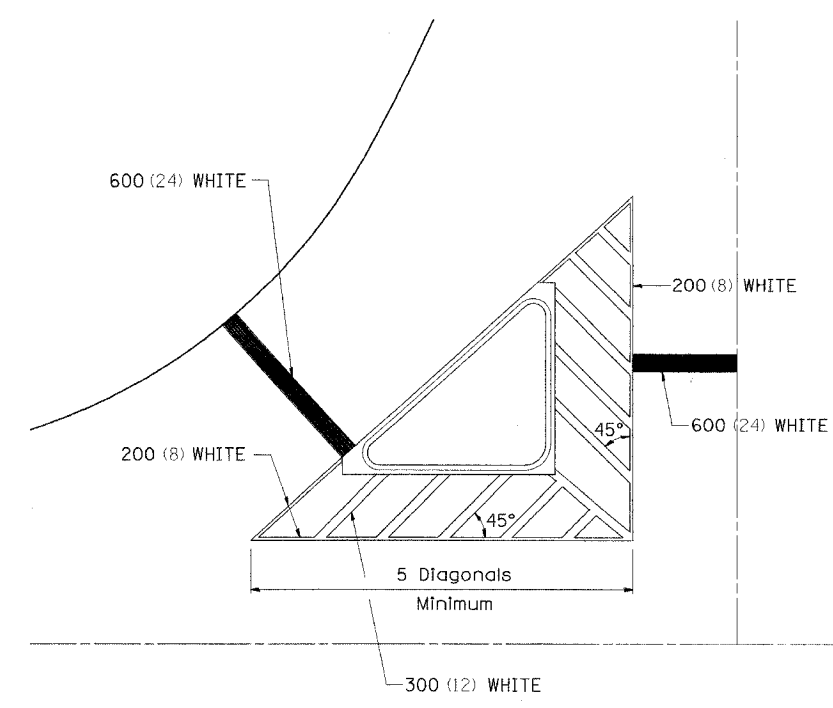
TYPICAL PAVEMENT MARKING FOR FLUSH MEDIAN



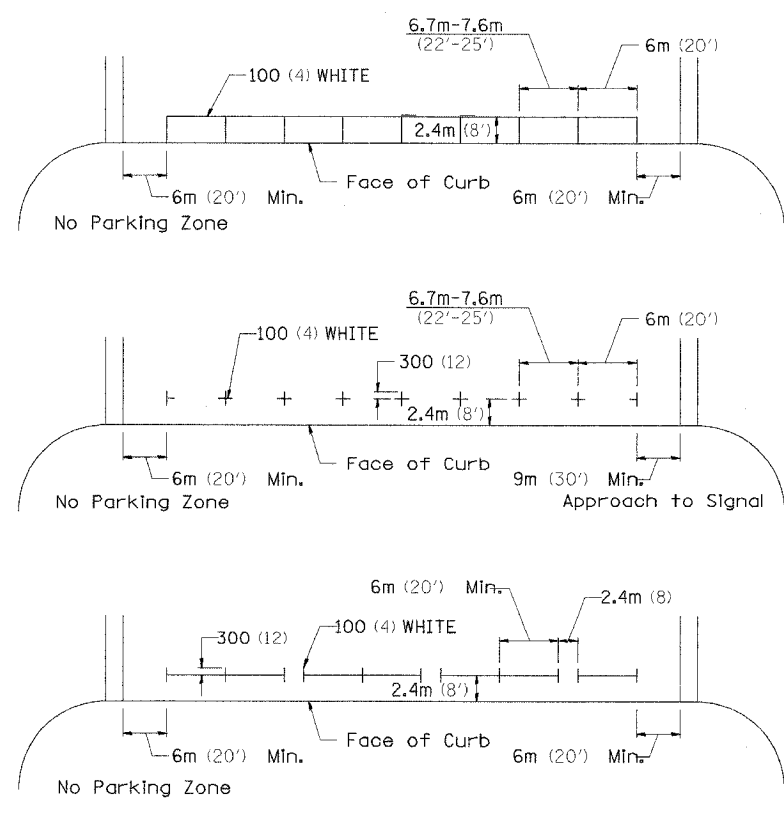
MEDIAN PAVEMENT MARKING



TYPICAL ISLAND OFFSET SHOULDER WIDTH

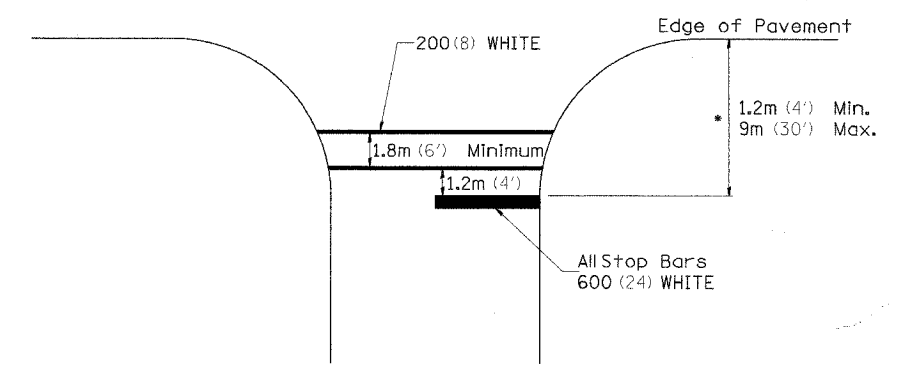


TYPICAL PARKING SPACING



** ALL DIMENSIONS ARE IN MILLIMETERS (INCHES) UNLESS OTHERWISE NOTED.

STANDARD CROSSWALK MARKING
See Schedules for Locations



• Distance to the nearest edge of the intersecting roadway in the absence of a marked crosswalk.

CHECKED BY:

DRAWN BY:

DESIGNED BY:

Thu Feb 12 11:04:12 2004
c:\proj\sect\figs\mcb\figs\41p1.dgn