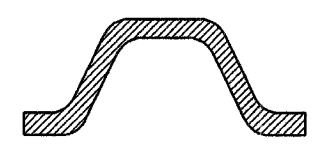


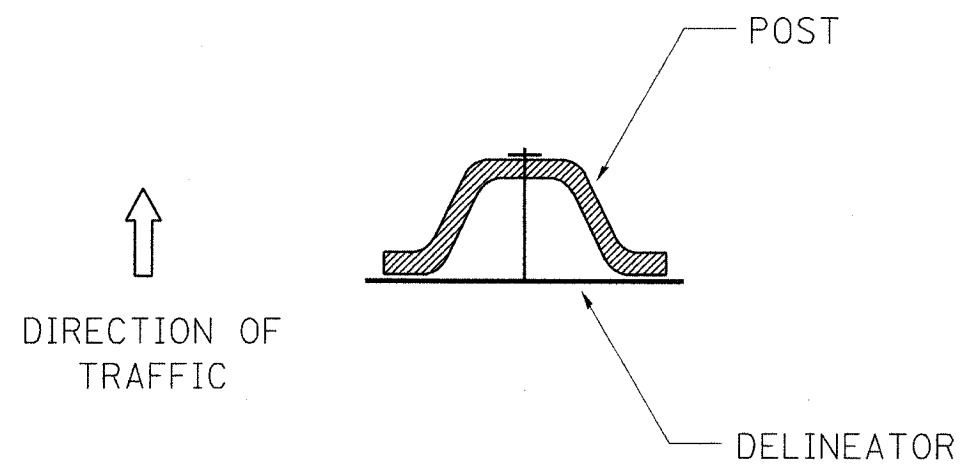
64421

DELINEATOR AND POST ORIENTATION

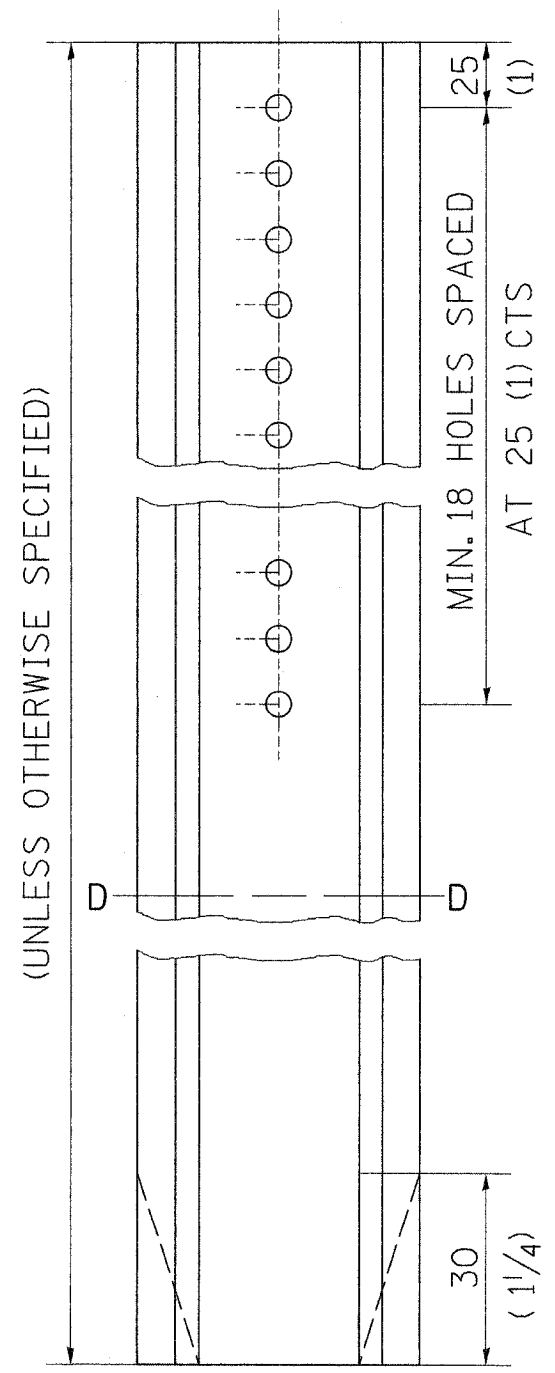
F. A. S. RTE.	SECTION	COUNTY	TOTAL SHEETS	SHEET NO
1197	105 BR-2 & 105-T	WHITESIDE	59	43
STA. 224+00 & 429+00		TO STA. 232+00 & 425+38		
FED. ROAD DIST. NO.		ILLINOIS	FED. AID PROJECT	



SECTION D-D



DELINEATORS SHALL BE INSTALLED ACCORDING TO STANDARD 635001 EXCEPT THAT THE POST SHALL BE ROTATED 180°. THE POST WILL HAVE THE WIDE SIDE FACING TRAFFIC AND THE DELINEATOR ATTACHECD AS SHOWN ABOVE.



CHECKED BY:

DRAWN BY:

DESIGNED BY:

Tue Nov 04 09:55:17 2003
c:\projects\42stnds\z37p14.dgn