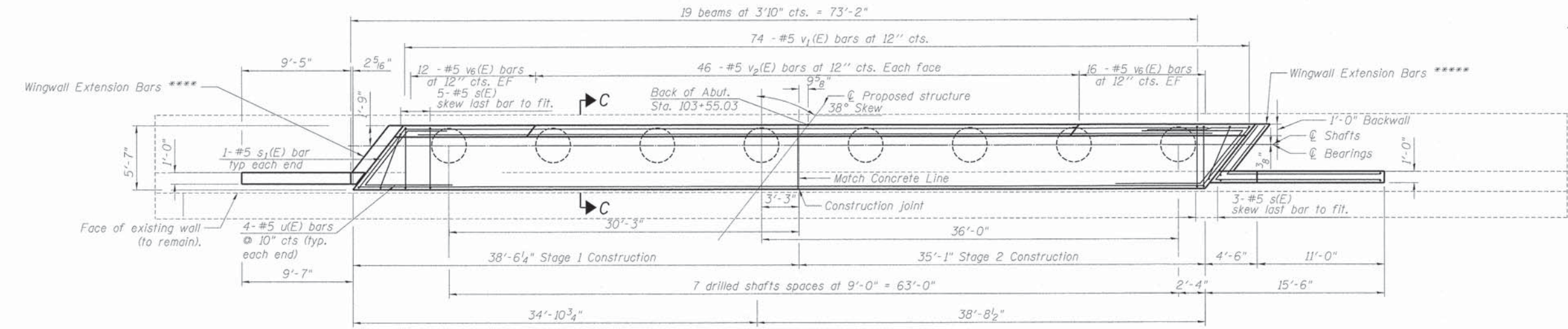


- \* Drill and grout 10 - #5 d<sub>1</sub>(E) @ 12" cts. Trim to fit short end.
- \*\* 2-#5 v<sub>3</sub>(E) bars. 1 BF, 1 FF. 6-#5 v<sub>4</sub>(E) bars. See cutting diagram.
- \*\*\*\* 5-#5 v<sub>7</sub>(E) bars OF, 5-#5 v<sub>8</sub>(E) bars IF @ 12" cts. 5-#5 h<sub>7</sub>(E) bars EF.
- \*\*\*\*\* 5-#5 v<sub>9</sub>(E) bars OF, 5-#5 v<sub>10</sub>(E) bars IF @ 12" cts. 5-#5 h<sub>8</sub>(E) bars EF.

\*\*\* Drill & grout #5 d<sub>1</sub>(E) @ 9" min. embed. Trim to fit short end..

**ELEVATION**  
(Looking West)



**TOP PLAN**

FILE NAME = 88415-1st West Abutment.dwg

**BURNS MEDONNELL**  
200 W. ADAMS STREET / SUITE 1600  
CHICAGO, IL 60606  
P: (312) 223-9220 / F: (312) 223-9664  
WEB: WWW.BURNSMCD.COM

USER NAME = jruhde	DESIGNED - JAR	REVISED - 4/6/16
PLOT SCALE = 5.0000' / 1"	DRAWN - JMA	REVISED -
PLOT DATE = 2/18/2016	CHECKED - TG	REVISED -
	DATE - 1/28/2016	REVISED -

**STATE OF ILLINOIS  
DEPARTMENT OF TRANSPORTATION**

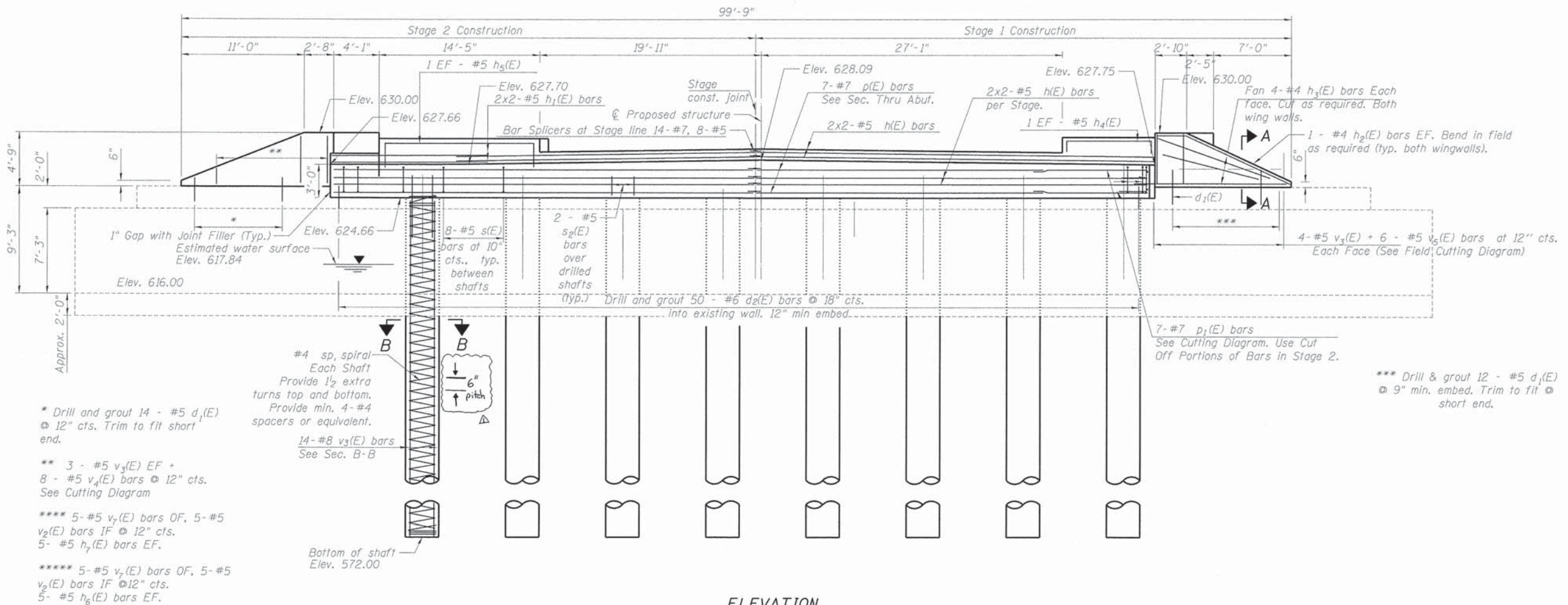
**WEST ABUTMENT  
STRUCTURE NO. 016-6221**

SCALE: 1" = 5'    SHEET 1 OF 1 SHEETS    STA.    TO STA.

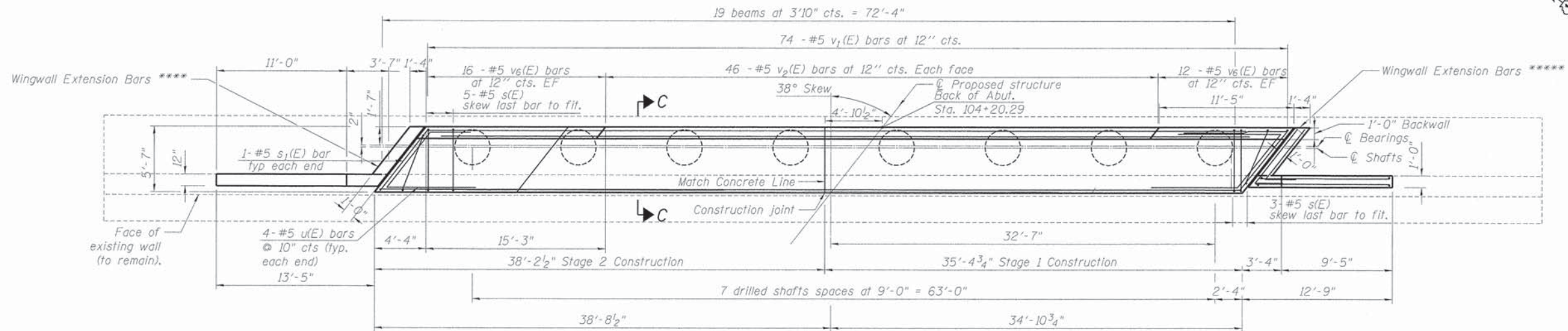
F.A. RTE.	SECTION	COUNTY	TOTAL SHEETS	SHEET NO.
1352	13-00185-00-BR	COOK	64	35
CONTRACT NO. 61C77				
ILLINOIS FED. AID PROJECT				



Cast top of wingwall flush with exterior beam face after beams have been erected.



**ELEVATION**  
(Looking East)



**TOP PLAN**

FILE NAME: 08415-pht-East\_Abument.dwg

**BURNS & MCDONNELL**  
200 W. ADAMS STREET / SUITE 1600  
CHICAGO, IL 60606  
P: (312) 223-0200 / F: (312) 223-9664  
WEB: WWW.BURNSMCDONNELL.COM

USER NAME = jruhd  
PLOT SCALE = 5.0000" / 1"  
PLOT DATE = 2/19/2016

DESIGNED - JAR  
DRAWN - JMA  
CHECKED - TG  
DATE - 1/28/2016

REVISED - Δ 4/6/16  
REVISED -  
REVISED -  
REVISED -

**STATE OF ILLINOIS**  
**DEPARTMENT OF TRANSPORTATION**

**EAST ABUTMENT**  
**STRUCTURE NO. 016-6221**

SCALE: 1" = 5' SHEET 1 OF 1 SHEETS STA. TO STA.

F.A. RTE.	SECTION	COUNTY	TOTAL SHEETS	SHEET NO.
1352	13-00185-00-BR	COOK	64	36
CONTRACT NO. 61C77				
ILLINOIS FED. AID PROJECT				