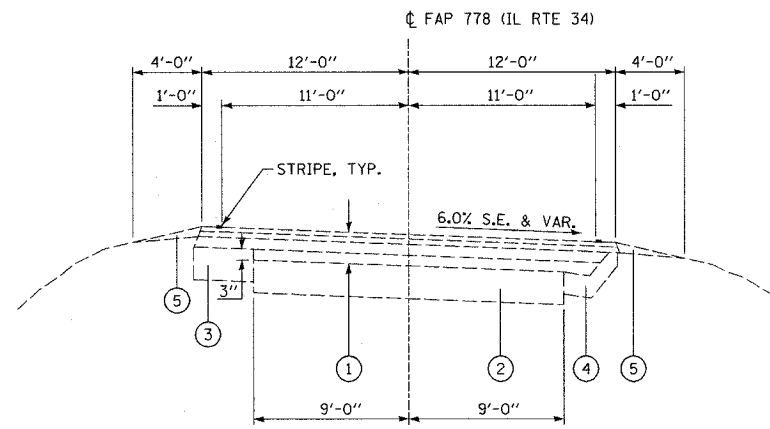
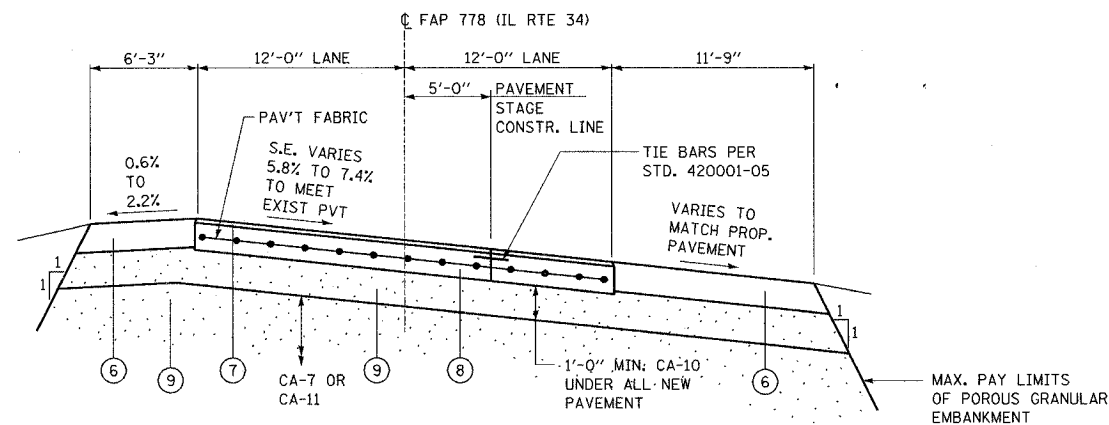


F.A.P. RTE.	SECTION	COUNTY	TOTAL SHEETS	SHEET NO.
778	(2-B)-1	SALINE	74	4
FED. ROAD DIST. NO. 9 ILLINOIS FED. AID PROJECT				



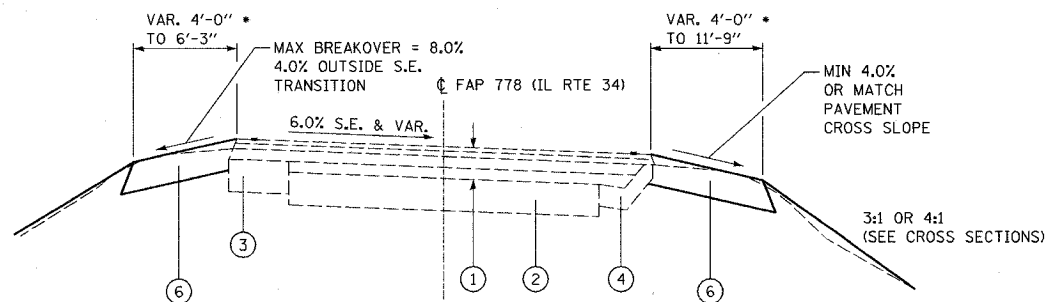
**EXISTING IL RTE 34 SECTION**  
LOOKING EAST

STA. 432+96 TO STA. 435+50±  
STA. 435+75± TO STA. 441+38±



**PROPOSED IL RTE 34 SECTION**  
EXISTING PAVEMENT & SHOULDERS REMOVAL & REPLACEMENT  
LOOKING EAST

STA. 435+20 TO STA. 436+08



**PROPOSED IL RTE 34 SECTION**  
SHOULDER REMOVAL & REPLACEMENT  
LOOKING EAST

\* SHOULDER WIDTHS VARY @ WIDENING FOR TRAFFIC BARRIER TERMINAL TY 1 (SPECIAL). SEE DETAIL SHT. 74

LEFT SHOULDER:  
STA. 433+34 TO 435+20\*  
STA. 436+08 TO 439+00

RIGHT SHOULDER:  
STA. 432+96 TO 435+20  
STA. 436+08 TO 438+00

**LEGEND**

- ① EXIST. BIT. CONC. SURFACE, 8 3/4"
- ② EXIST. P.C.C. PAVEMENT
- ③ EXIST. BIT. BASE COURSE WIDENING, 9"
- ④ EXIST. P.C.C. GUTTER
- ⑤ EXIST. AGGREGATE WEDGE SHOULDER
- ⑥ PROP. BIT. SHOULDER, 10"
- ⑦ PROP. BIT. CONC. SURFACE CSE. SUPERPAVE, MIX C, N90, 1 1/2"
- ⑧ PROP. P.C.C. BASE COURSE, 9 1/2"
- ⑨ PROP. POROUS GRANULAR EMBANKMENT

**NOTE:**

CLEAR ZONE FOR OBSTRUCTION REMOVAL IS 18 FT BEYOND EDGE OF PAVEMENT EXTENDING OUT TO WINGWALLS AT PROPOSED BOX CULVERT

**BITUMINOUS MIXTURE REQUIREMENTS**

LOCATION(S)	BITUMINOUS SURFACE COURSE
MIXTURE USE(S):	BITUMINOUS CONCRETE SURFACE COURSE, SUPERPAVE, MIX C, N 90
AC/PG	PG64-22
RAP % (MAX)	10
DESIGN AIR VOIDS	4.0%, 90 GYRATION SUPERPAVE DESIGN
MIXTURE COMPOSITION: (GRADATION MIXTURE)	IL-9.5mm OR IL 12.5mm
FRICITION AGGREGATE:	C SURFACE

LOCATION(S)	BITUMINOUS BINDER COURSE
MIXTURE USE(S):	BITUMINOUS CONCRETE BINDER COURSE, SUPERPAVE, N 90, IL-19.0
AC/PG	PG64-22
RAP % (MAX)	10
DESIGN AIR VOIDS	4.0%, 90 GYRATION SUPERPAVE DESIGN
MIXTURE COMPOSITION: (GRADATION MIXTURE)	IL-19.0
FRICITION AGGREGATE:	NONE

LOCATION(S)	BITUMINOUS SHOULDERS, 10"
MIXTURE USE(S):	BITUMINOUS SHOULDERS, SUPERPAVE
AC/PG	PG58-22
RAP % (MAX)	50
DESIGN AIR VOIDS	2.0%, 30 GYRATION SUPERPAVE DESIGN
MIXTURE COMPOSITION: (GRADATION MIXTURE)	BITUMINOUS AGGREGATE MIXTURE, SUPERPAVE
FRICITION AGGREGATE:	NONE

LOCATION(S)	BITUMINOUS CONCRETE BASE COURSE WIDENING, 10"
MIXTURE USE(S):	BITUMINOUS CONCRETE BASE COURSE WIDENING, SUPERPAVE
AC/PG	PG64-22
RAP % (MAX)	50
DESIGN AIR VOIDS	2.0%, 50 GYRATION SUPERPAVE DESIGN
MIXTURE COMPOSITION: (GRADATION MIXTURE)	BITUMINOUS BASE COURSE, SUPERPAVE
FRICITION AGGREGATE:	NONE

REVISIONS	
NAME	DATE

ILLINOIS DEPARTMENT OF TRANSPORTATION  
FAP ROUTE 778 (IL 34)  
SEC. (2-B)-1, SALINE COUNTY  
**EXISTING & PROPOSED TYPICAL SECTIONS**

SCALE: VERT. \_\_\_\_\_  
HORIZ. \_\_\_\_\_  
DATE \_\_\_\_\_ DRAWN BY \_\_\_\_\_  
CHECKED BY \_\_\_\_\_