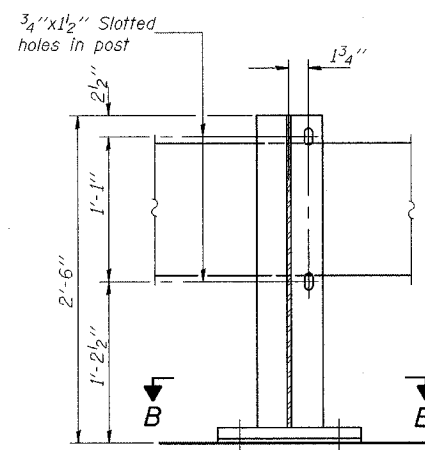
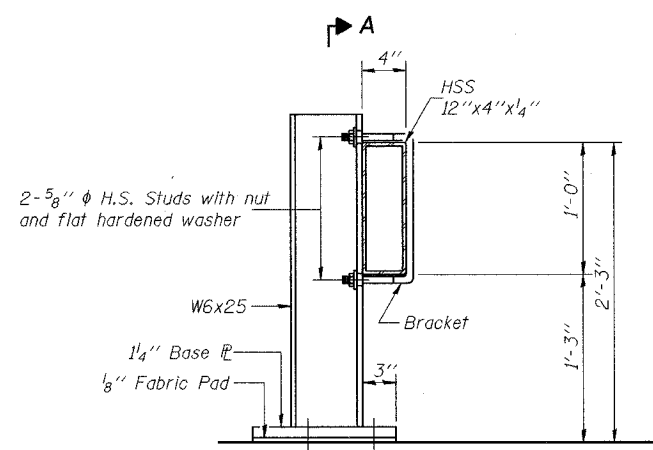


ROUTE NO.	SECTION	COUNTY	TOTAL SHEETS	SHEET	SHEET NO.
F.A.P. 778	(2-B)-1	SALINE	74	16	8 SHEETS
FED. ROAD DIST. NO. 4	ILLINOIS	FED. AID PROJECT			

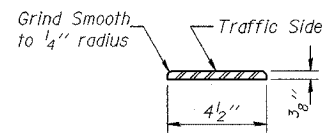
STATE OF ILLINOIS
DEPARTMENT OF TRANSPORTATION



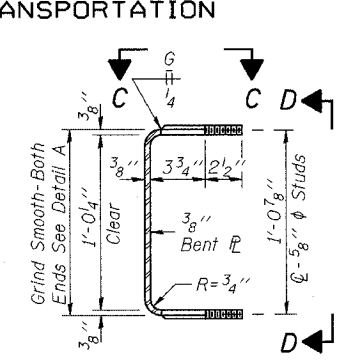
SECTION A-A



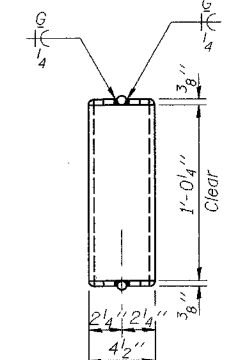
SECTION AT RAIL POST



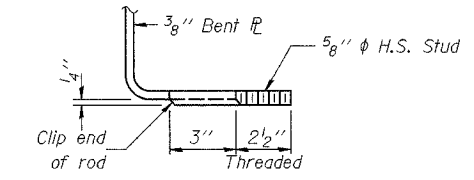
DETAIL A



SECTION THRU BRACKET



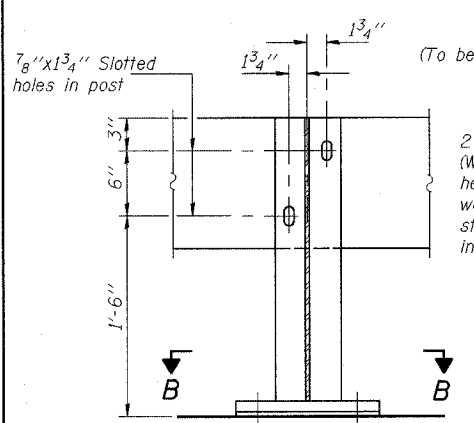
VIEW D-D



VIEW E-E

NOTES

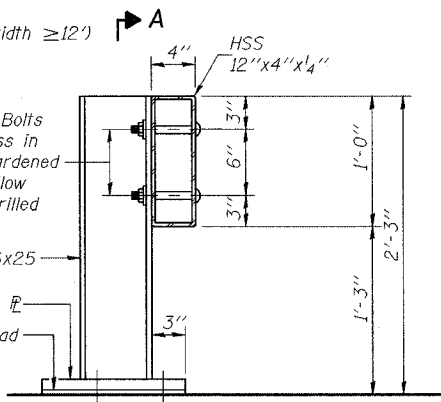
Hollow structural sections shall conform to the requirements of ASTM designation A 500 Grade B Structural Steel Tubing.
All other steel shapes and plates shall conform to the requirements of AASHTO M 270 Grade 36 except posts and brackets shall conform to AASHTO M 270, Grade 50.
Bolts, cap screws, and nuts shall conform to the requirements of ASTM designation A 307 except for high strength bolts, threaded rods, studs, nuts and washers noted which shall conform to AASHTO M 164.
The bridge rail shall receive one shop coat of a steel prime paint.
The 1" high strength bolts or threaded rods used to connect the railposts shall be tightened according to Article 505.04(FX2) of the Standard Specifications.
Temporary Bridge Rail shall be according to Section 514 of the Standard Specifications, except as noted, and will be paid for at the contract unit price per foot for Temporary Bridge Rail.
See sheet 2 of 8 for Rail Post spacing.
The contact surfaces between post flange, rail and inside face of bracket for Alternate I shall be free of all lubricants.
The nut for 5/8" high strength studs used in Alternate I to connect bracket to post shall be tightened to a snug fit and given an additional one half turn.



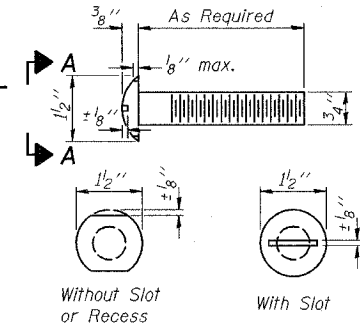
SECTION A-A

ALTERNATE I
(To be used only for Roadway width ≥ 12')

2-3/4" φ x 6" Round Head Bolts (With slot or approved recess in head) with locknut & flat hardened washer. 7/8" φ holes in hollow structural section may be drilled in the field.

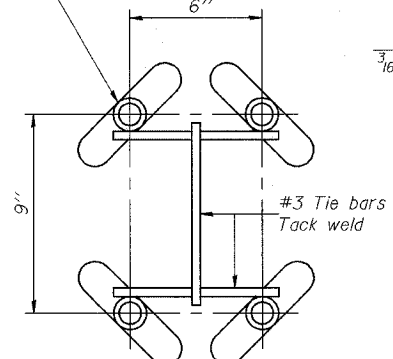


SECTION AT RAIL POST

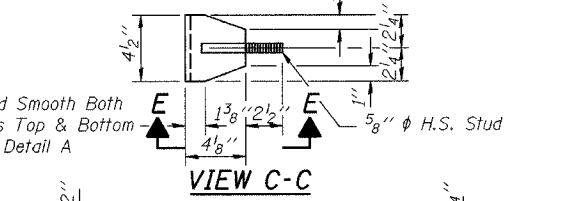


VIEW A-A
ROUND HEAD BOLT

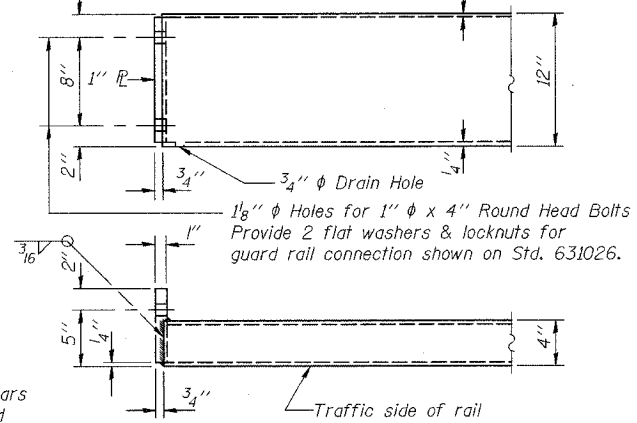
Wing type threaded inserts tapped for 1" φ H.S. bolts. (Insert Load Capacity = 14K min./bolt)



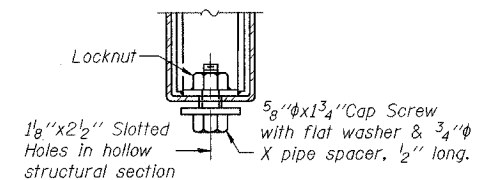
INSERT DETAIL



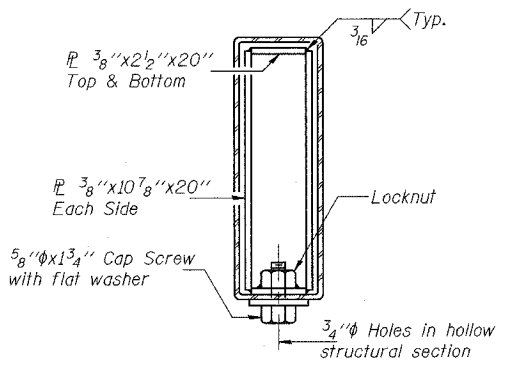
VIEW C-C



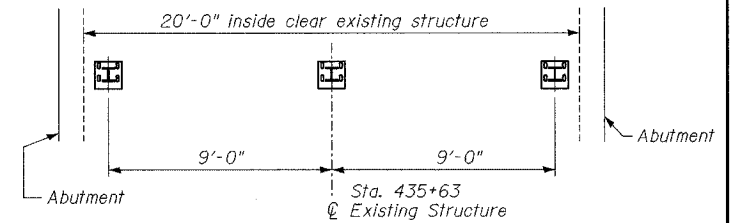
END OF RAIL DETAILS



RAIL SPLICE CONNECTION
AT EXPANSION JT.



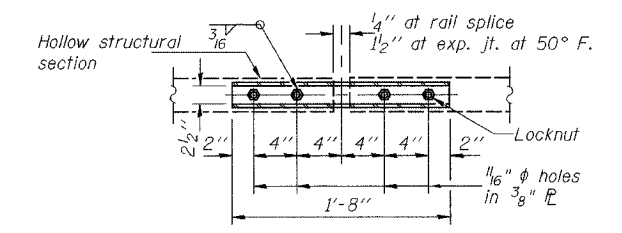
SECTION AT RAIL SPLICE



TEMPORARY BRIDGE RAIL POST SPACING

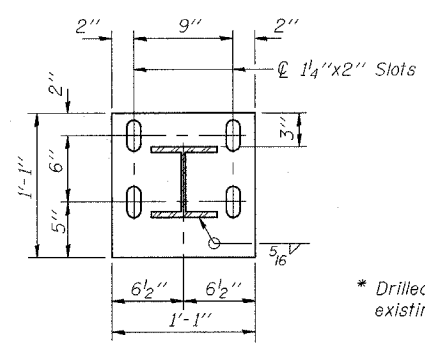
BILL OF MATERIAL

Item	Unit	Quantity
Temporary Bridge Rail	Foot	22



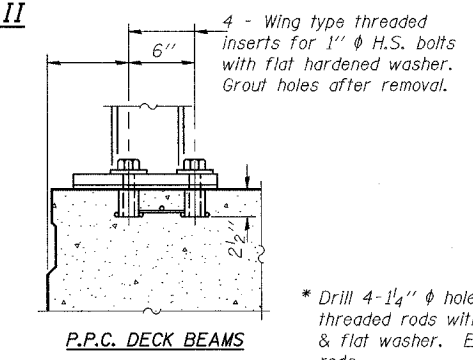
PLAN-BOTT. SPLICE R
TYPICAL

TEMPORARY BRIDGE RAIL
IL. ROUTE 34 OVER UNNAMED TRIBUTARY
TO SOUTH FORK SALINE RIVER
FAP ROUTE 778 - SEC. (2-B)-1
SALINE COUNTY
STATION 435+63
STRUCTURE NO. 083-2015



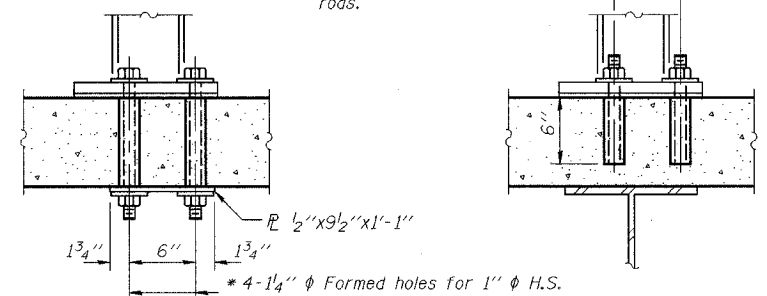
SECTION B-B

* Drilled holes for existing deck.



P.P.C. DECK BEAMS

* Drill 4-1 1/4" φ holes for 1" φ threaded rods with hex nut & flat washer. Epoxy grout rods.



NEW & EXISTING DECKS
ANCHORAGE DETAILS

DESIGNED	SBM
CHECKED	KMN
DRAWN	MSJ
CHECKED	WCC

R-25 10-31-02 (10'-9" Maximum Post Spacing)