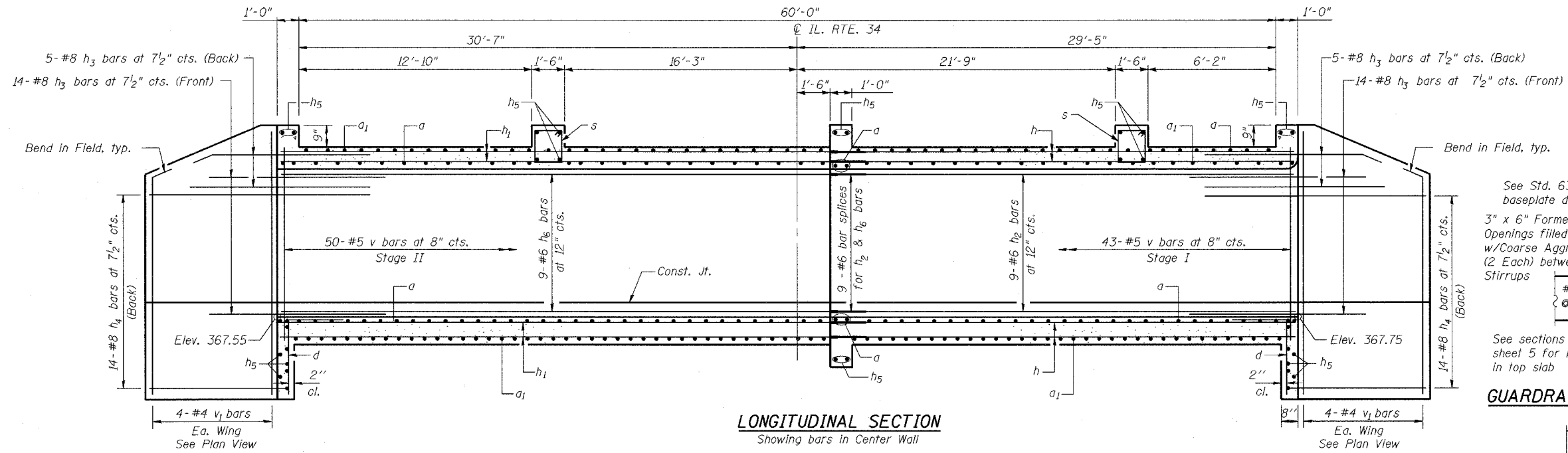


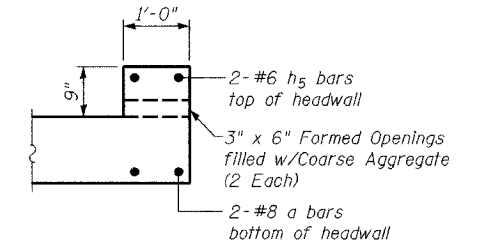
STATE OF ILLINOIS
DEPARTMENT OF TRANSPORTATION

ROUTE NO.	SECTION	COUNTY	SHEET NO.	SHEET	SHEET NO. 6 8 SHEETS
F.A.P.	(2-B)-1	SALINE	74	18	
FED. ROAD DIST. NO. 1	ILLINOIS	FED. AID PROJECT			

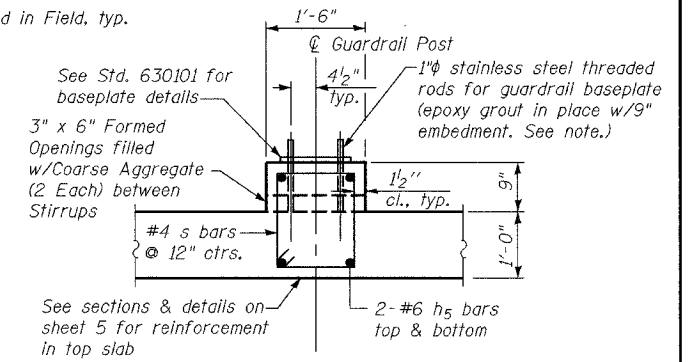
Note:
The Contractor shall use the capsule or the adhesive cartridge type anchor rods that have been previously tested and given a prior approval by the Department. The Contractor shall install these anchor rods in pre-drilled holes according to the manufacturer's recommendations and procedures. The capsule or the adhesive cartridge shall be sealed with pre-measured amounts of the adhesive sealant.



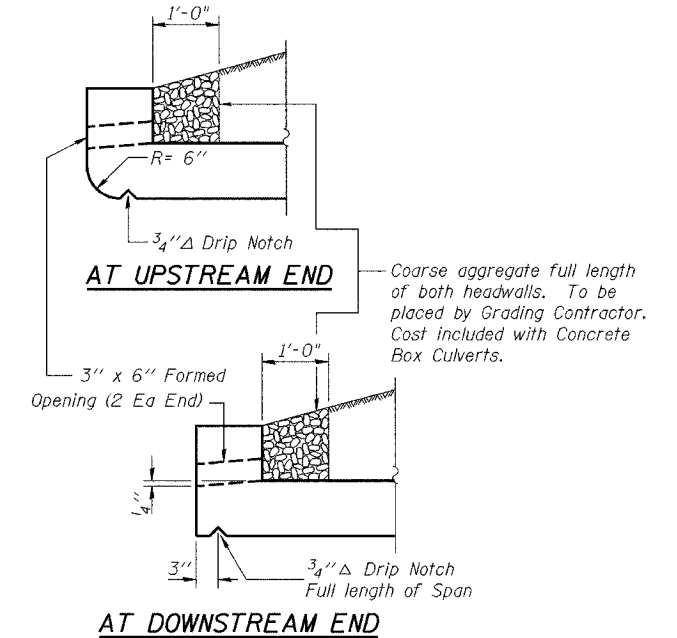
LONGITUDINAL SECTION
Showing bars in Center Wall



TYP. HEADWALL SECTION

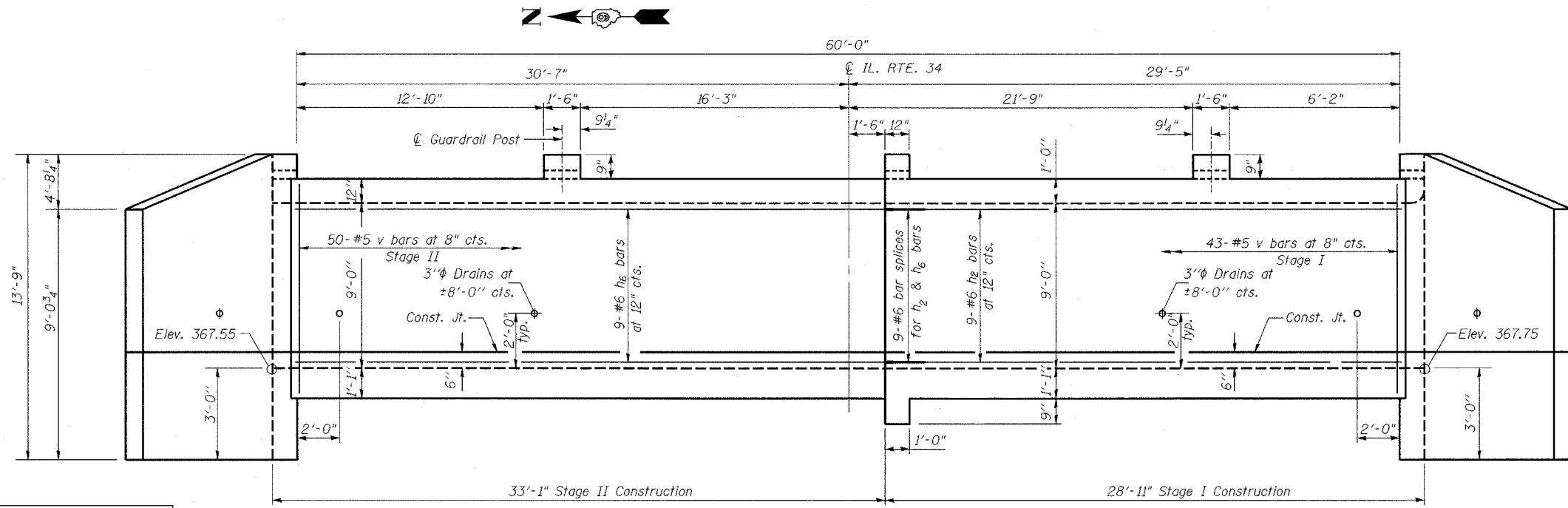


GUARDRAIL ATTACHMENT WALL SECTION



DRAIN DETAIL

BOX CULVERT SECTIONS & DETAILS
IL. ROUTE 34 OVER UNNAMED TRIBUTARY
TO SOUTH FORK SALINE RIVER
FAP ROUTE 778 - SEC. (2-B)-1
SALINE COUNTY
STATION 435+63
STRUCTURE NO. 083-2015



ELEVATION
Showing bars in Outside Wall

Note:
A distance of half the length of the wingwall but not less than six (6) feet of the barrel shall be poured monolithically with the wingwalls.

DESIGNED	SBM
CHECKED	KMN
DRAWN	MSJ
CHECKED	WCC