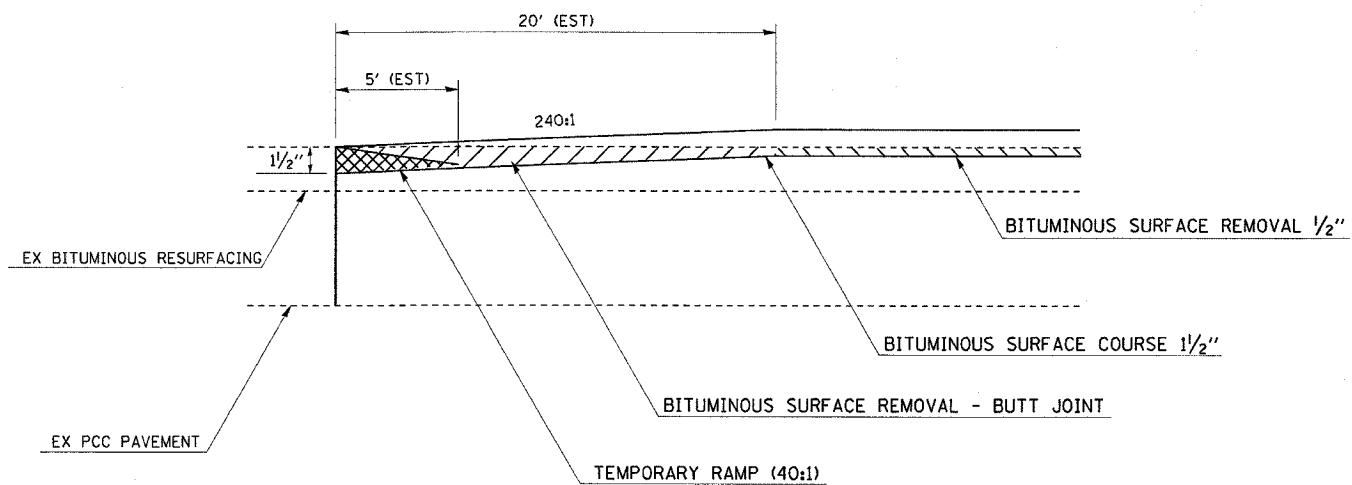


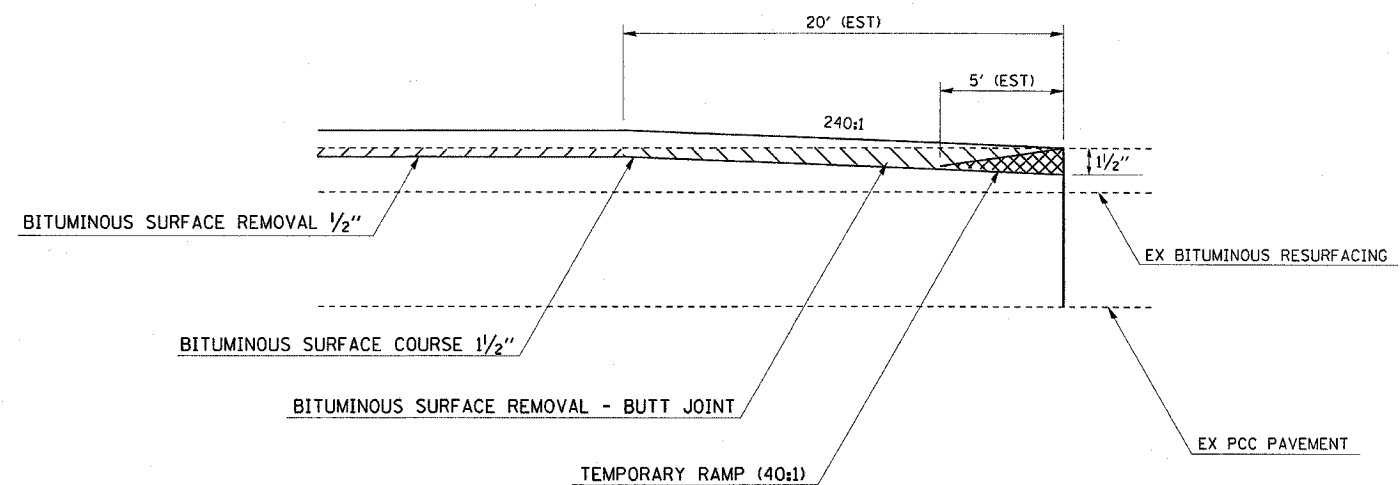
F.A.J. RTE.	SECTION	COUNTY	TOTAL SHEETS	SHEET NO.
322	4-1	JACKSON	26	14
STA.		TO STA.		
FED. ROAD DIST. NO.		ILLINOIS	FED. AID PROJECT	
CONTRACT NO. 68907				

BUTT JOINT DETAIL  
US 51 NORTH



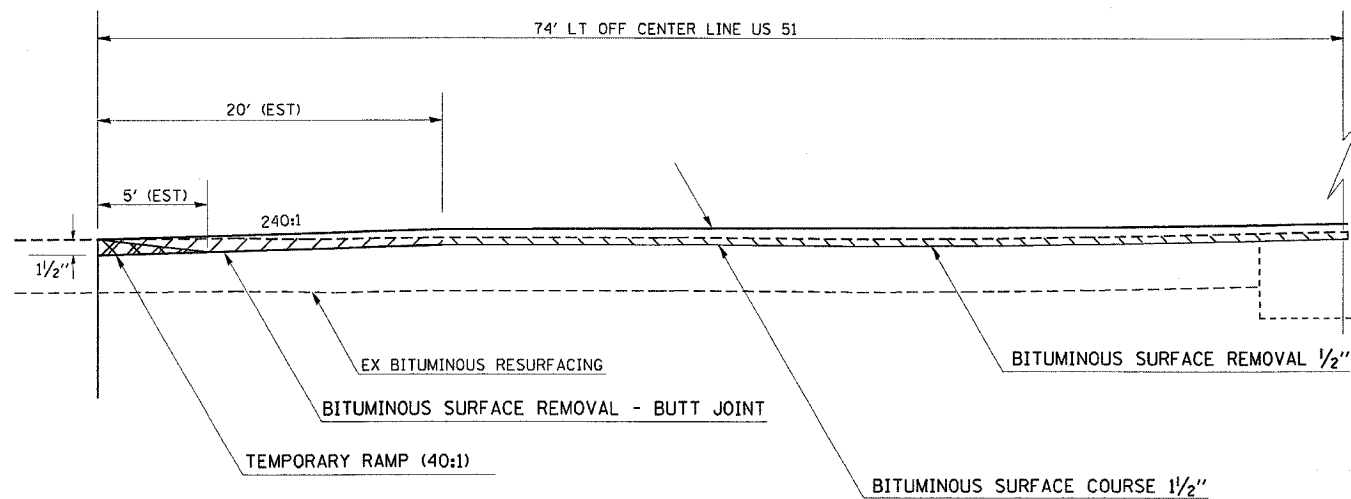
TO BE USED:  
STA 756+32.47 TO STA 756+52.47

BUTT JOINT DETAIL  
US 51 SOUTH



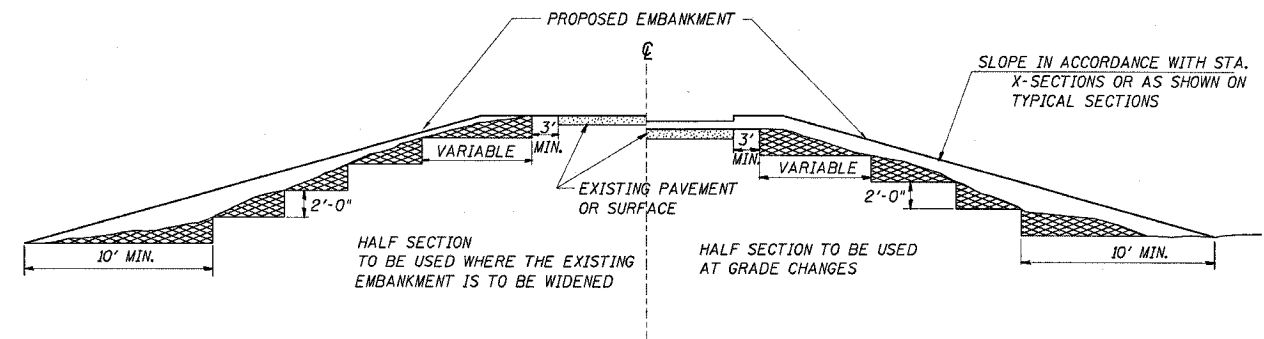
TO BE USED:  
STA 772+41.77 TO STA 772+61.77

BUTT JOINT DETAIL  
UNION STREET WEST



TO BE USED:  
STA 765+62.78 LT

TYPICAL CROSS SECTION SHOWING  
STEP CONSTRUCTION ON EXISTING FILL



MATERIAL TO BE REMOVED AND REPLACED IN THE EMBANKMENT IN ACCORDANCE WITH ART. 205.04 OF THE STANDARD SPECIFICATION. COST TO BE INCLUDED IN THE VARIOUS ITEMS OF EXCAVATION AND NO ADDITIONAL COMPENSATION WILL BE ALLOWED BECAUSE OF THIS WORK.

Thu Feb 5 10:27:28 2004  
c:\projects\9802503\9802503.ms32 LVH:63