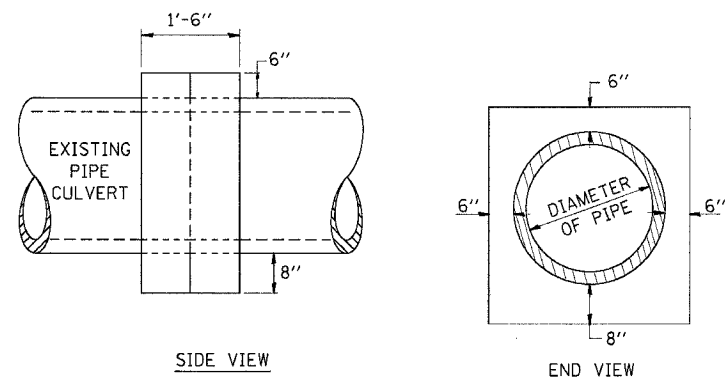


F.A.P. RTE.	SECTION	COUNTY	TOTAL SHEETS	SHEET NO.
331	5-(2,3) I-1, TS-2	JACKSON	94	56
STA.		TO STA.		
FED. ROAD DIST. NO.		ILLINOIS FED. AID PROJECT		

DETAILS OF CONCRETE COLLAR PIPE TO PIPE



TABULATION

DIAMETER OF PIPE	CL. SI CONC. CU. YDS. EST.
12"	0.24
15"	0.29
18"	0.32
24"	0.44
30"	0.56
36"	0.66
42"	0.80
48"	0.93
54"	1.07
60"	1.22
72"	1.55

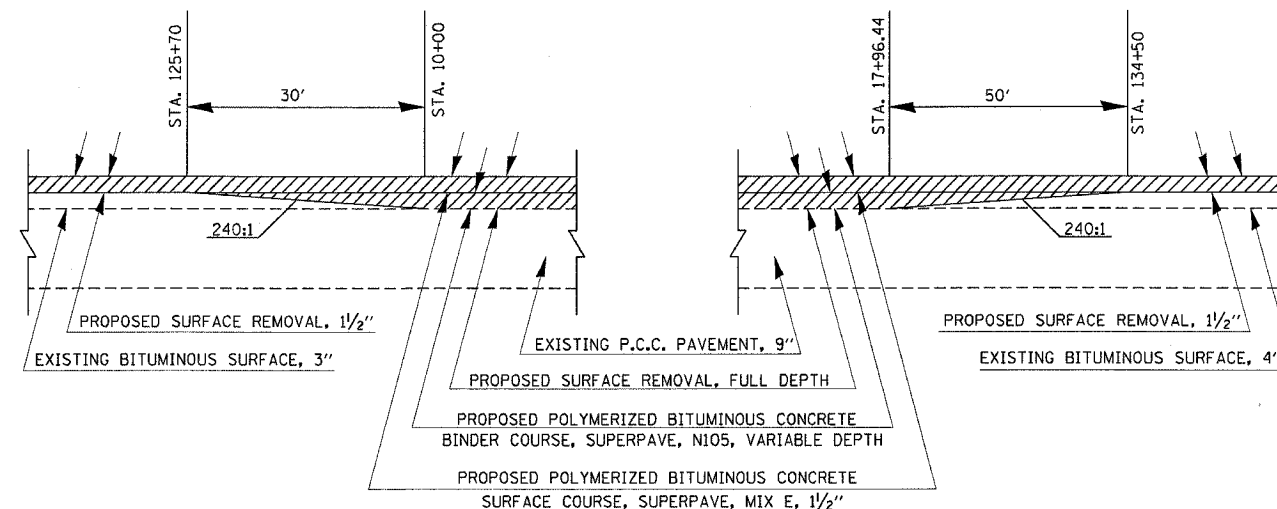
THE CONCRETE COLLAR SHALL BE PAID FOR AT THE CONTRACT UNIT PRICE PER CUBIC YARD FOR CONCRETE COLLAR, AS SHOWN ON THE PLANS, WHICH PRICE SHALL INCLUDE THE REMOVAL OF SUCH PORTIONS THE EXISTING HEADWALLS AS MAY BE REQUIRED.
CLASS SI CONCRETE SHALL BE USED THROUGHOUT.

REVISIONS

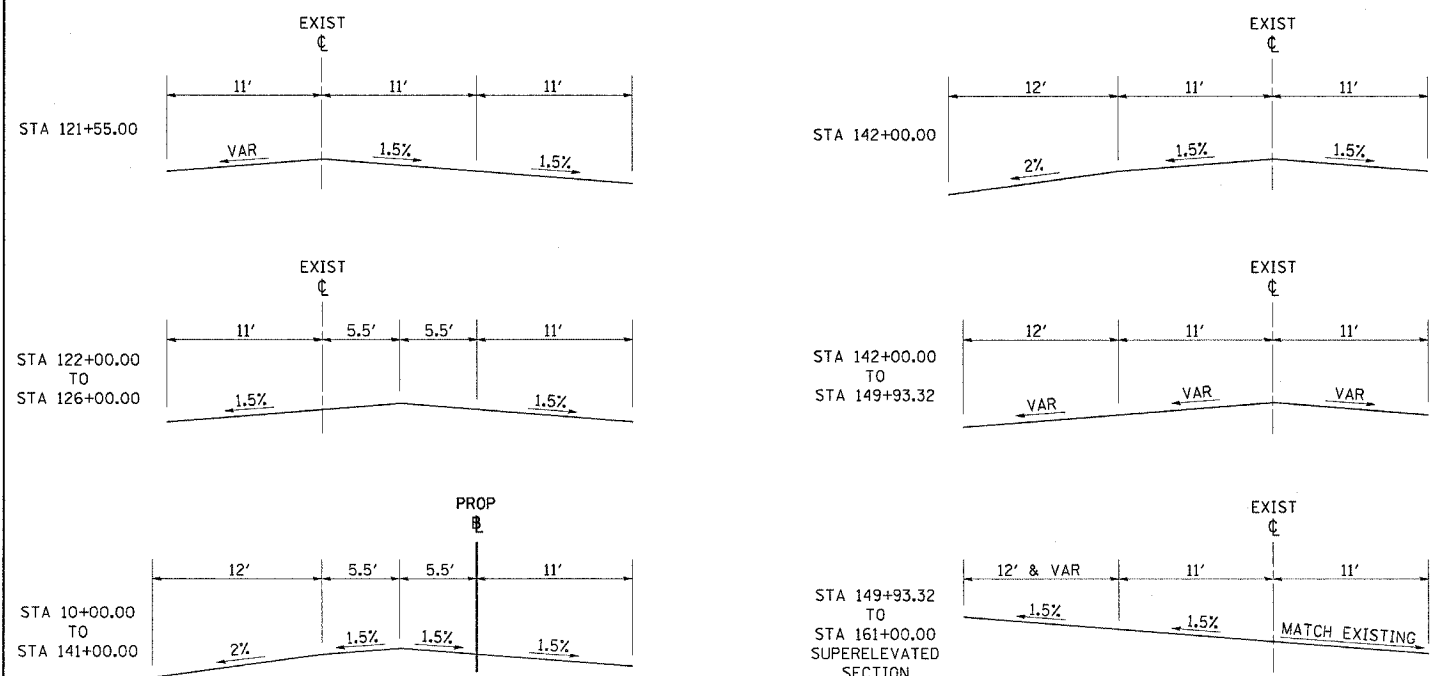
DRAWN	7-13-90
REVISED	8-22-94

STD. 9-79

TRANSITION DETAIL



CROWN CORRECTION DETAIL ILLINOIS 13



CROWN REMAINS AT EXISTING ϵ
SEE TYPICAL SECTIONS & CROSS SECTIONS FOR PAVEMENT SLOPES

CROWN OFFSET AND ELEVATION

STATION	OFFSET	ELEVATION	STATION	OFFSET	ELEVATION	STATION	OFFSET	ELEVATION	STATION	OFFSET	ELEVATION
122+00	5.5'	392.70	136+50	5.5'	394.78	144+00	0	390.64	157+00	0	389.37
122+50	5.5'	393.00	137+00	5.5'	394.63	144+10	0	390.57	157+50	0	389.37
123+00	5.5'	393.30	137+50	5.5'	394.48	144+20	0	390.50	158+00	0	389.41
123+50	5.5'	393.60	138+00	5.5'	394.33	144+30	0	390.43	158+50	0	389.41
124+00	5.5'	393.77	138+50	5.5'	394.09	144+50	0	390.29	159+00	0	389.42
124+50	5.5'	393.94	139+00	5.5'	393.85	145+00	0	389.93	159+50	0	389.51
125+00	5.5'	394.11	139+50	5.5'	393.61	145+50	0	389.64	160+00	0	389.58
125+50	5.5'	394.28	140+00	5.5'	393.37	146+00	0	389.37	160+50	0	389.59
126+00	5.5'	394.45	140+50	5.5'	393.13	146+50	0	389.18	161+00	0	389.65
10+50	5.5'	394.62	141+00	5.5'	392.89	147+00	0	388.97			
11+00	5.5'	394.79	141+50	2.75'	392.65	147+50	0	388.91			
11+50	5.5'	394.96	142+00	0	392.10	148+00	0	388.87			
12+00	5.5'	395.07	142+30	0	391.89	148+50	0	388.81			
12+50	5.5'	395.07	142+40	0	391.82	149+00	0	388.77			
13+00	5.5'	395.07	142+50	0	391.75	149+50	0	388.77			
13+50	5.5'	395.07	142+60	0	391.68	150+00	0	388.77			
14+00	5.5'	395.07	142+70	0	391.61	150+50	0	388.67			
14+50	5.5'	395.29	142+80	0	391.53	151+00	0	388.69			
15+00	5.5'	395.29	142+90	0	391.45	151+50	0	388.74			
15+50	5.5'	395.29	143+00	0	391.36	152+00	0	388.81			
16+00	5.5'	395.29	143+10	0	391.28	152+50	0	388.89			
16+50	5.5'	395.29	143+20	0	391.20	153+00	0	388.96			
17+00	5.5'	395.29	143+30	0	391.13	153+50	0	388.97			
17+50	5.5'	395.29	143+40	0	391.06	154+00	0	389.00			
17+96.44	5.5'	395.07	143+50	0	390.99	154+50	0	389.04			
134+50	5.5'	395.07	143+60	0	390.92	155+00	0	389.09			
135+00	5.5'	395.07	143+70	0	390.85	155+50	0	389.12			
135+50	5.5'	395.07	143+80	0	390.78	156+00	0	389.18			
136+00	5.5'	394.93	143+90	0	390.71	156+50	0	389.28			