

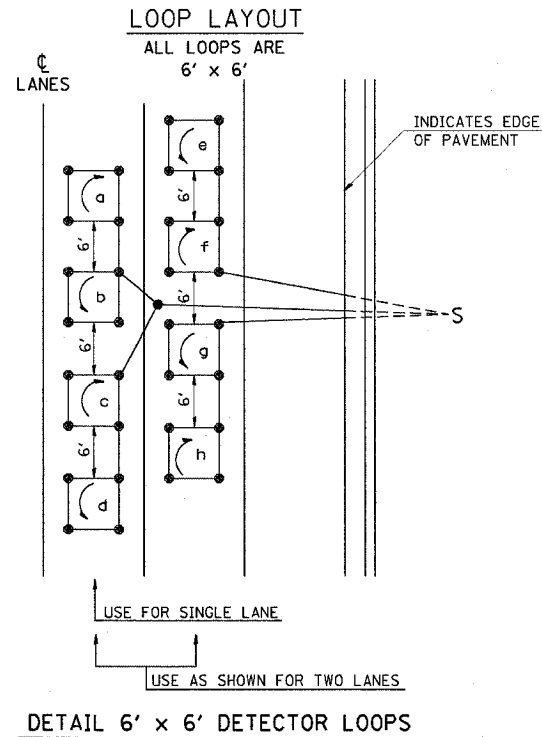
LOOP LAYOUT DETAIL

NOTES
(APPLIES TO 6' x 6' LOOPS ONLY)

1. THE DETECTOR LOOPS SHALL BE TYPE I. EACH DETECTOR LOOP SHALL HAVE 3 TURNS OF LOOP WIRE AND BE INSTALLED IN ACCORDANCE WITH THE APPLICABLE PORTIONS OF SECTION T418 OF THE STANDARD SPECIFICATIONS FOR TRAFFIC CONTROL ITEMS.
2. BEGINNING LEAD WIRES SHALL BE CONNECTED TO THE BLACK LEAD AND THE ENDING LEAD WIRES SHALL BE CONNECTED TO THE WHITE LEAD OF THE TWIN TWISTED FEED CABLES AT THE SPLICE POINT.

LOOP LEGEND

- () CLOCKWISE ROTATION FOR LOOP WIRES
- () COUNTERCLOCKWISE ROTATION FOR LOOP WIRES
- S INDICATES SPLICE POINT FOR DETECTOR LOOP LEAD
- INDICATES 2" CORE-DRILL



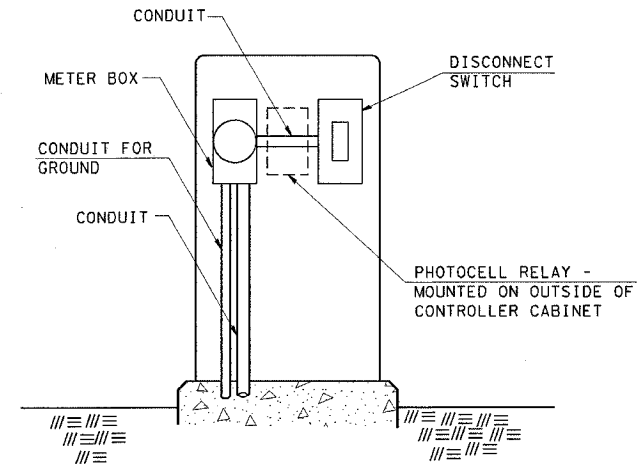
REVISIONS

DRAWN	14-17-92
REVISED	3-27-96

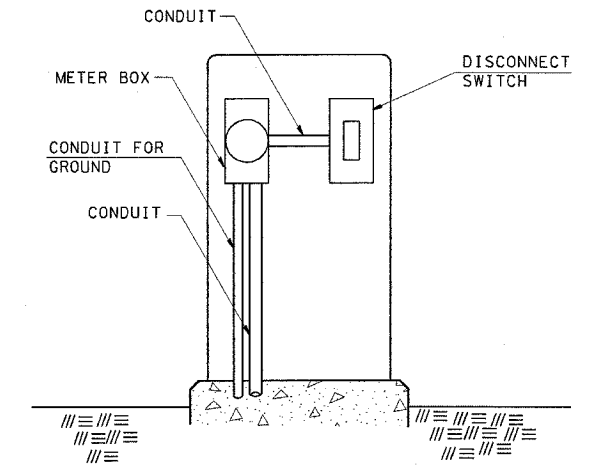
STD 9-92

SERVICE INSTALLATION DETAILS

MATERIAL AND SIZE OF CONDUIT AND CABLE AS REQUIRED BY UTILITY COMPANY



SERVICE INSTALLATION (SPECIAL) WITH PHOTOCELL RELAY



SERVICE INSTALLATION (SPECIAL)

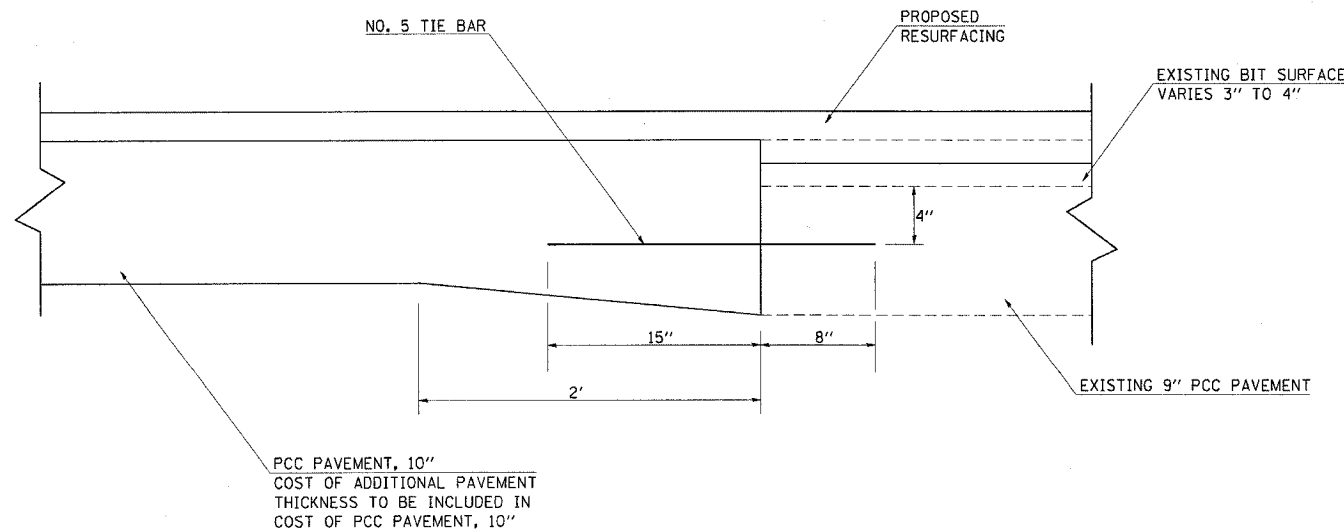
REVISIONS

DRAWN	1-31-90
REVISED	2-24-92

STD 9-68

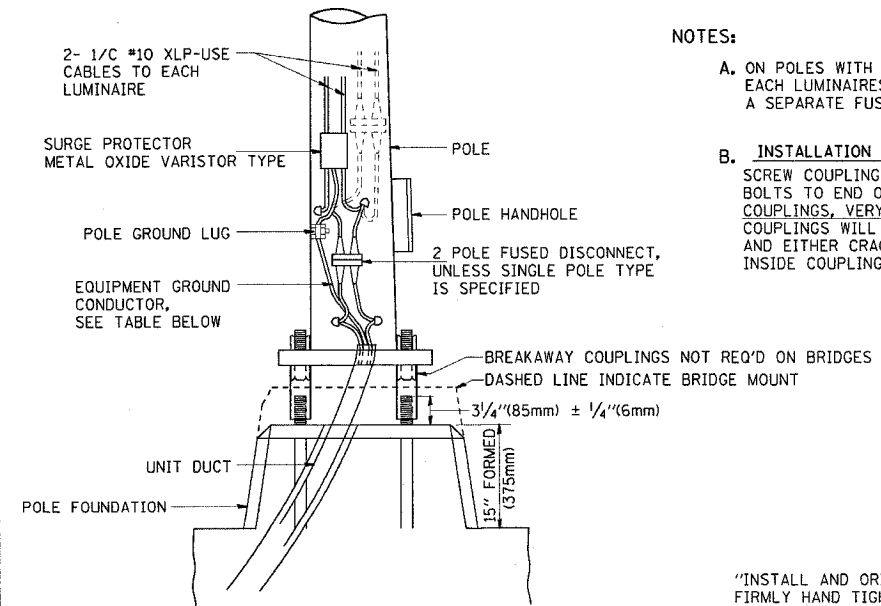
TIE BAR DETAIL

EXISTING RESURFACED PCC PAVEMENT ADJACENT TO PROPOSED PCC PAVEMENT TO BE USED FROM STA 147+81.12 TO STA 155+80.22



PCC PAVEMENT, 10" COST OF ADDITIONAL PAVEMENT THICKNESS TO BE INCLUDED IN COST OF PCC PAVEMENT, 10"

POLE BASE WIRING & LUMINAIRE MOUNTING



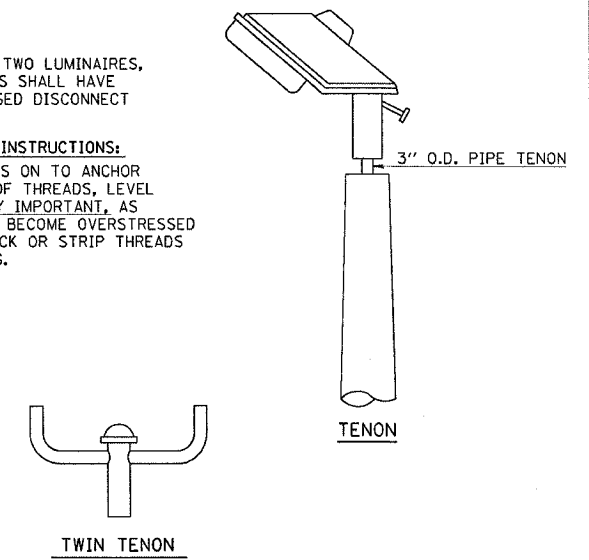
NOTES:

- ON POLES WITH TWO LUMINAIRES, EACH LUMINAIRE SHALL HAVE A SEPARATE FUSED DISCONNECT
- INSTALLATION INSTRUCTIONS:** SCREW COUPLINGS ON TO ANCHOR BOLTS TO END OF THREADS, LEVEL COUPLINGS, VERY IMPORTANT, AS COUPLINGS WILL BECOME OVERSTRESSED AND EITHER CRACK OR STRIP THREADS INSIDE COUPLING.

POLE BASE WIRING

EQUIPMENT GROUND-TABLE

BREAKER SIZE	CONDUCTOR SIZE
30 AMP.	#10 COPPER
40 AMP.	#10 COPPER
60 AMP.	#10 COPPER
100 AMP.	#8 COPPER



"INSTALL AND ORIENT ARM BRACKET OVER POLE TENON AND FIRMLY HAND TIGHTEN THE TWO SET SCREWS. USE THIRD HOLE IN ARM BRACKET AS A GUIDE TO DRILL A 3/16" (8.3mm) DIAMETER HOLE THROUGH TENON. INSTALL AND TIGHTEN SELF TAPPING SCREW. TIGHTEN SET SCREWS AN ADDITIONAL 1/4" (6.3mm) TO 3/8" (9.5mm) TURN WITH HEX KEY (NOT PROVIDED). INSTALL LOCKNUTS ON SET SCREWS IF THREADED PROJECTION ALLOWS.

POLE SHALL MEET AASHTO STANDARD SPECIFICATIONS FOR 80 M.P.H. (128.7km./h) WIND LOADING AND 90 LB. (40.9kg) 4.0 SO. FT. (3.7m) E.P.A. LUMINAIRE.

REVISIONS

DRAWN	3-8-95
REVISED	9-7-99

STD. 9-102

DETAILS: LOOP LAYOUT, SERVICE INSTALLATION, TIE BAR DETAIL, POLE BASE WIRING & LUMINAIRE MOUNTING