

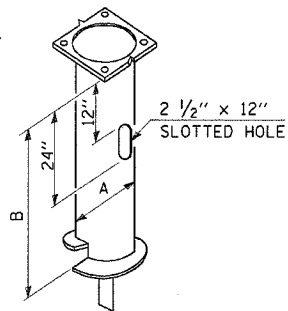
| F.A.P. RTE. | SECTION | COUNTY | TOTAL SHEETS | SHEET NO. |
|---------------------|-------------------|---------------------------|--------------|-----------|
| 331 | 5-(2,3) I-1, TS-2 | JACKSON | 94 | 58 |
| STA. | | TO STA. | | |
| FED. ROAD DIST. NO. | | ILLINOIS FED. AID PROJECT | | |

DATA, STEEL ** FOUNDATION TABLE

| BOLT CIRCLE | A | B | MOUNTING HEIGHT |
|-------------|-----|----|-----------------|
| 15" | 10" | 6' | 45' OR 50'* |
| 15" | 8" | 6' | 45' |
| 11" | 8" | 6' | 40' OR LESS |

* FOR USE ON POLES W/TWIN TENON

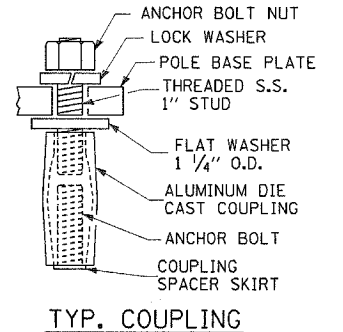
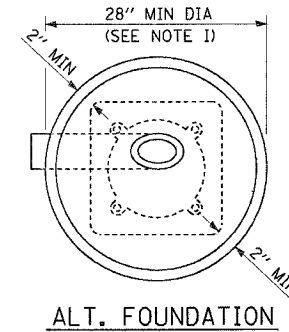
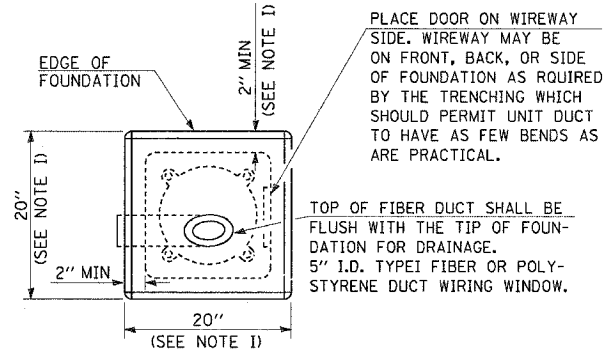
** MINIMUM TORQUE REQ'D TO INSTALL FOUNDATIONS SHALL BE 5,000 LBS



STEEL POLE FOUNDATION

LOW MOUNTING FOUNDATION TABLE

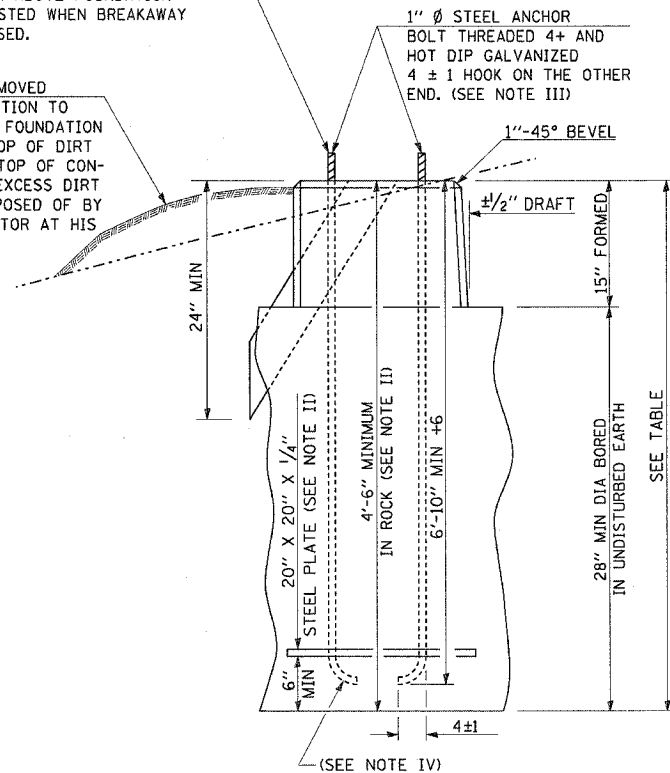
| HEIGHT | DEPTH | BOLT CIRCLE |
|---------|-------|-------------|
| 30' | 5'-0" | 11" |
| 31'-35' | 6'-0" | 11" |
| 36'-40' | 7'-0" | 15" |
| 41'-45' | 7'-6" | 15" |
| 46'-50' | 8'-0" | 15" |



ANCHOR BOLT SHALL EXTEND THROUGH NUT 3/8" TO 1". USE SELF-LOCKING NUT AND FLAT WASHER. DO NOT USE LOCKWASHER. LENGTH ABOVE FOUNDATION SHALL BE ADJUSTED WHEN BREAKAWAY DEVICES ARE USED.

USE DIRT REMOVED FROM FOUNDATION TO FILL AROUND FOUNDATION TOP. MAKE TOP OF DIRT LEVEL WITH TOP OF CONCRETE. ANY EXCESS DIRT WILL BE DISPOSED OF BY THE CONTRACTOR AT HIS EXPENSE.

1" Ø STEEL ANCHOR BOLT THREADED 4+ AND HOT DIP GALVANIZED 4 ± 1 HOOK ON THE OTHER END. (SEE NOTE III)



EQUIPMENT GROUND TABLE

| BREAKER SIZE | CONDUCTOR SIZE |
|--------------|----------------|
| 30 AMP | #10 COPPER |
| 40 AMP | #10 COPPER |
| 60 AMP | #10 COPPER |
| 100 AMP | #8 COPPER |

POLE BASE MOUNTING & WIRING

GENERAL NOTES

- AFTER POURING CONCRETE, THE FORM SHALL REMAIN UNDISTURBED OVERNIGHT.
- THE TOP 15" ONLY SHALL BE FORMED. CONCRETE BOUNDED BY UNDISTURBED EARTH ONLY SHALL FILL THE REMAINDER OF THE HOLE.
- MINIMUM CLEARANCE FROM THE OUTSIDE EDGE OF FOUNDATION TO ANY PART OF THE POLE BASEPLATE SHALL BE 2".
- THE DEPTH OF THE FOUNDATION MAY BE REDUCED 6" FOR EVERY 12" OF ROCK ENCOUNTERED WITH A MINIMUM DEPTH OF 4'-6". WHEN THE DEPTH OF THE FOUNDATION IS DECREASED TO LESS THAN 6' THE ANCHOR BOLTS SHALL BE CUT, THREADED, AND A STEEL PLATE 20"X20"X1/4" SHALL BE INSTALLED ON THE ANCHOR BOLTS 6" ABOVE THE BOTTOM OF THE EXCAVATION. THE COST SHALL BE INCIDENTAL THE FOUNDATION.
- ON PARAPET WALLS USE 1/4" Ø ANCHOR BOLTS. USE SELF-LOCKING NUT AND FLAT WASHER. DO NOT USE LOCKWASHER. (FOR DETAILS SEE STANDARD III/2.35 OF BRIDGE DESIGN MANUAL.
- BEND RADIUS SHALL BE FOUR TIMES BOLT DIAMETER.
- CONNECT GROUND WIRES TO POLE BASE GROUND LUG, NOT ANCHOR BOLTS OR TRANSFORMER BASE.
- LOW MOUNT POLE FOUNDATION SETBACK:
FOR HORIZONTAL MOUNTED LUMINAIRES, SETBACK SHALL BE A MINIMUM OF 20' FROM EDGE OF PAVEMENT.
FOR VERTICAL MOUNT LUMINAIRES, SETBACK SHALL BE A MINIMUM OF 30' FROM EDGE OF PAVEMENT. POLES SHALL BE LOCATED 5' BEHIND GUARDRAIL OR OTHER PROTECTIVE BARRIERS, OR AS DIRECTED BY THE ENGINEER.

☐ METAL OR ☒ CONCRETE