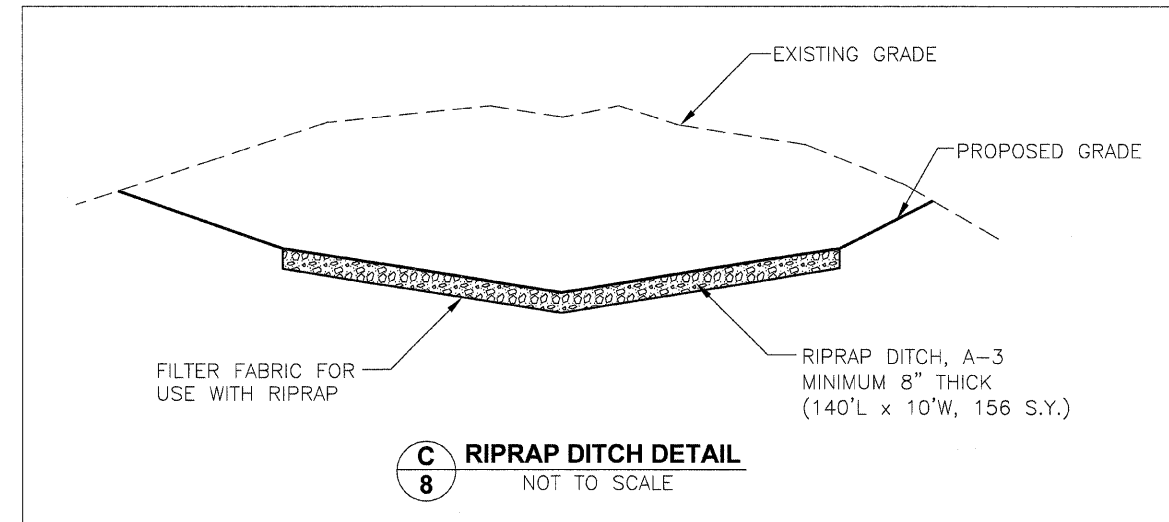


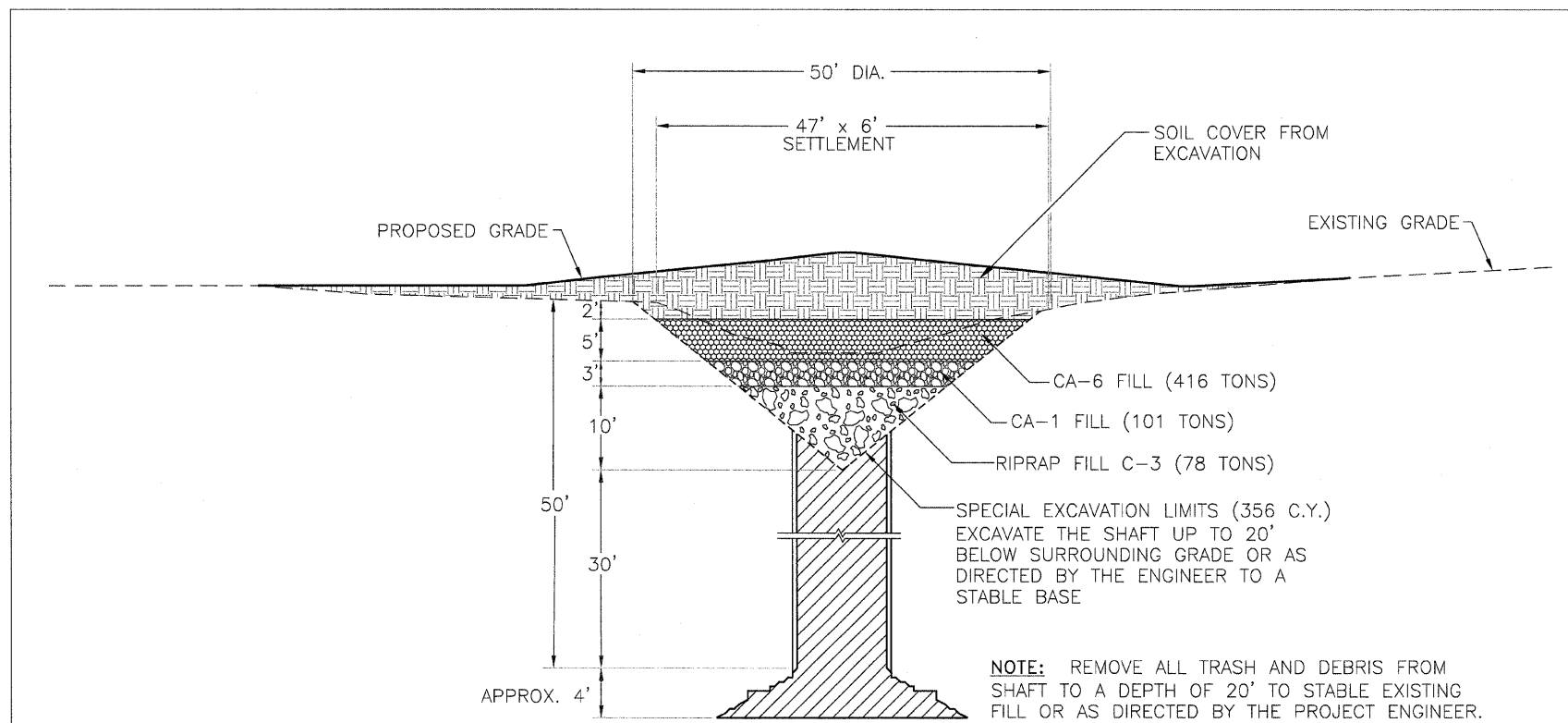
A
8 TYPICAL SINKHOLE FILLING
NOT TO SCALE

NOTE: REMOVE ALL TRASH AND DEBRIS FROM SHAFT TO A DEPTH OF 10' OR AS DIRECTED BY PROJECT ENGINEER.



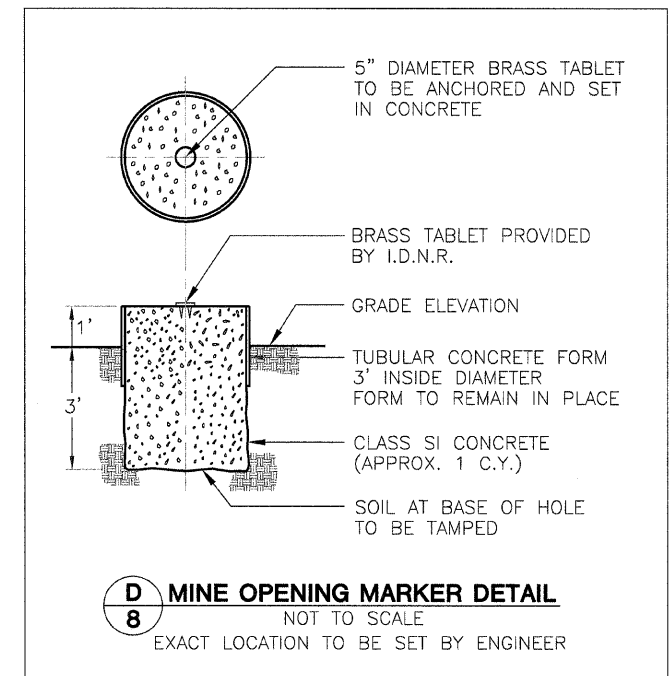
C
8 RIPRAP DITCH DETAIL
NOT TO SCALE

NOTE: DUE TO THE UNKNOWN CONDITIONS THAT EXIST IN AND AROUND THE SHAFT AND SINKHOLES, THE CONTRACTOR SHALL USE EXTREME CAUTION WHEN PERFORMING WORK NEAR THEM. THE ENGINEER RESERVES THE RIGHT TO INCREASE OR DECREASE THE QUANTITY FOR SPECIAL EXCAVATION AND BACKFILLING MATERIALS AS DETERMINED BY THE EXACT CONDITIONS ENCOUNTERED DURING SPECIAL EXCAVATION.



B
8 SHAFT FILLING
NOT TO SCALE

NOTE: REMOVE ALL TRASH AND DEBRIS FROM SHAFT TO A DEPTH OF 20' TO STABLE EXISTING FILL OR AS DIRECTED BY THE PROJECT ENGINEER. ANY EXCESS EARTH GENERATED DURING SPECIAL EXCAVATION TO BE DISPOSED OF ON SITE AS DIRECTED BY PROJECT ENGINEER.



D
8 MINE OPENING MARKER DETAIL
NOT TO SCALE
EXACT LOCATION TO BE SET BY ENGINEER