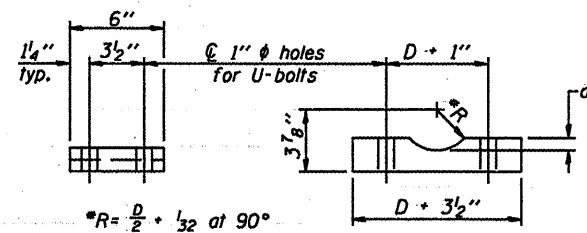
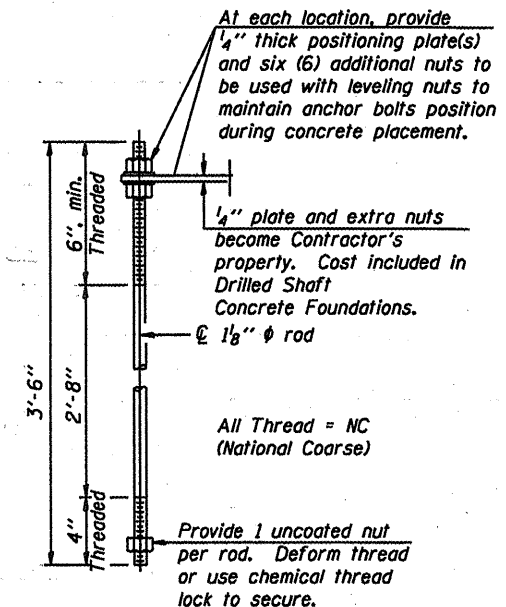
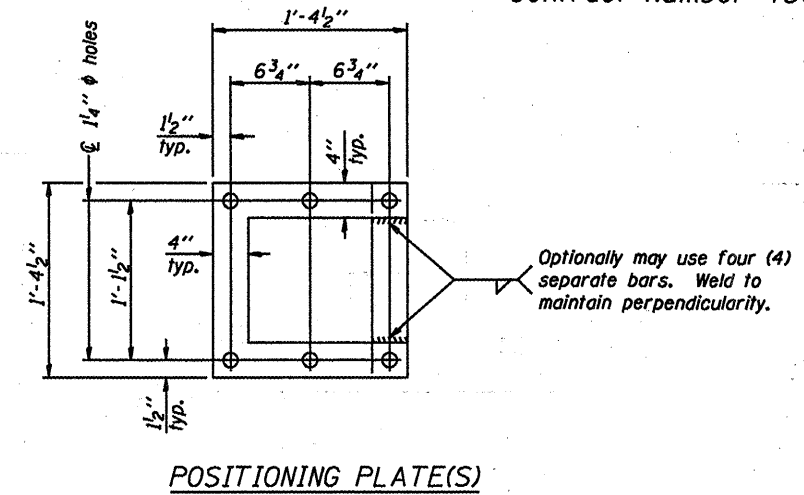
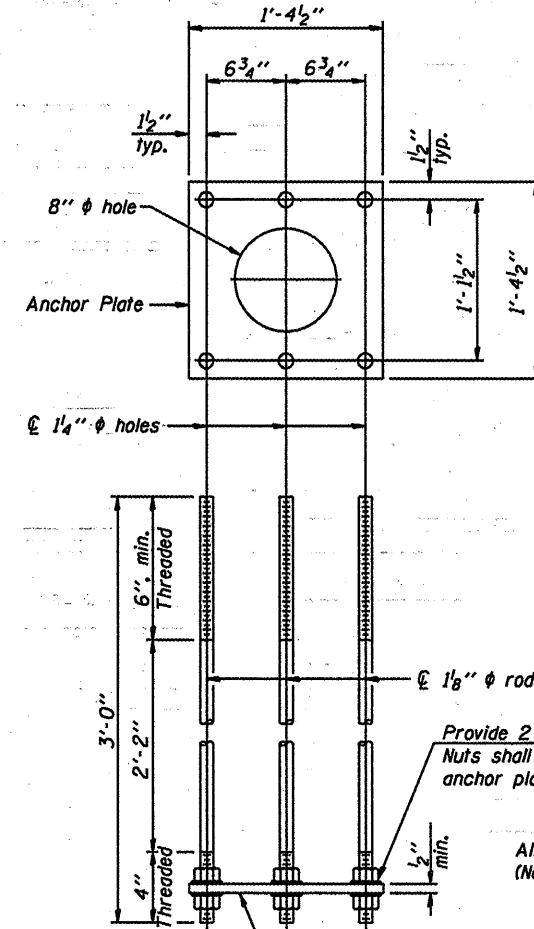


•• Alternate detail if welding col. to base plate first, then snip inside corner of ribs. Terminate weld on rib 1/4" from snip.

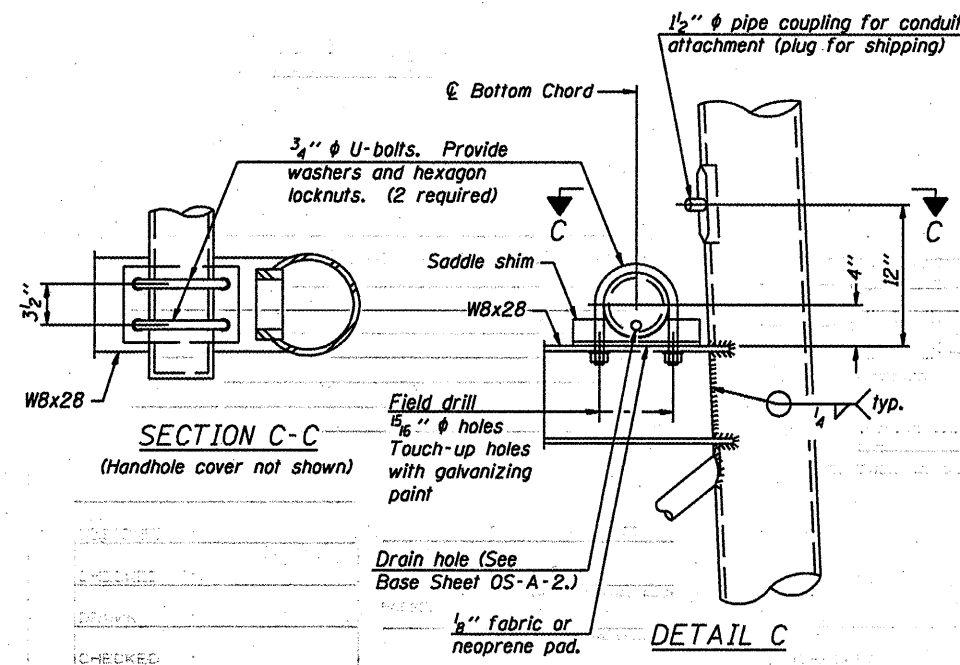


Truss Chord Nominal Dia.	a
5"	3/4"
5 1/2"	13/16"
6"	7/8"
6 1/2"	15/16"



Anchor rods shall conform to AASHTO M314 Grade 36 or 55 and meet Charpy V-Notch (CVN) energy of 15 lb.-ft. at 40° F. Galvanize upper 12" per AASHTO M232. No welding shall be permitted on rods.

NUMBER	REVISION	DATE



TYPE I-A TRUSS
8" ϕ PIPE SUPPORT FRAME DETAILS

DESIGNED		20
CHECKED		
DRAWN		
CHECKED		

OVERHEAD SIGN STRUCTURES
SUPPORT FRAME DETAILS ALUMINUM TRUSS

District 1
Overhead Sign Structure
Repair & Replacement