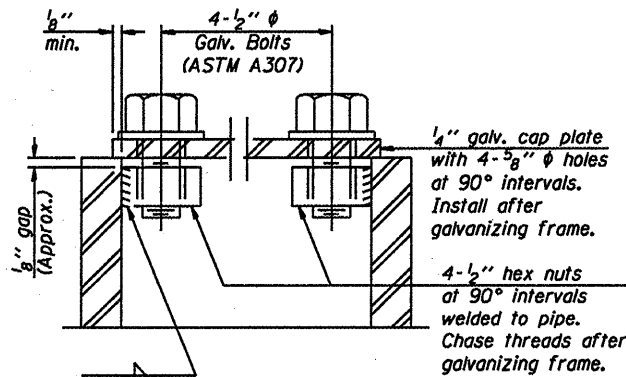
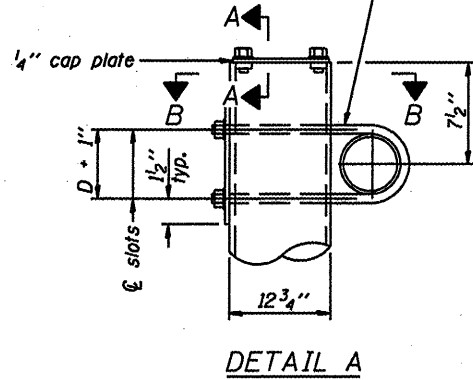
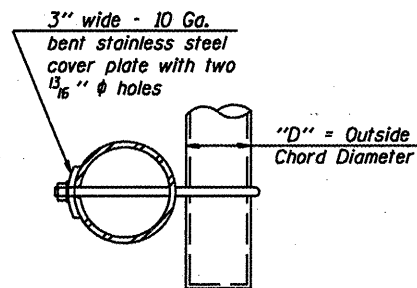


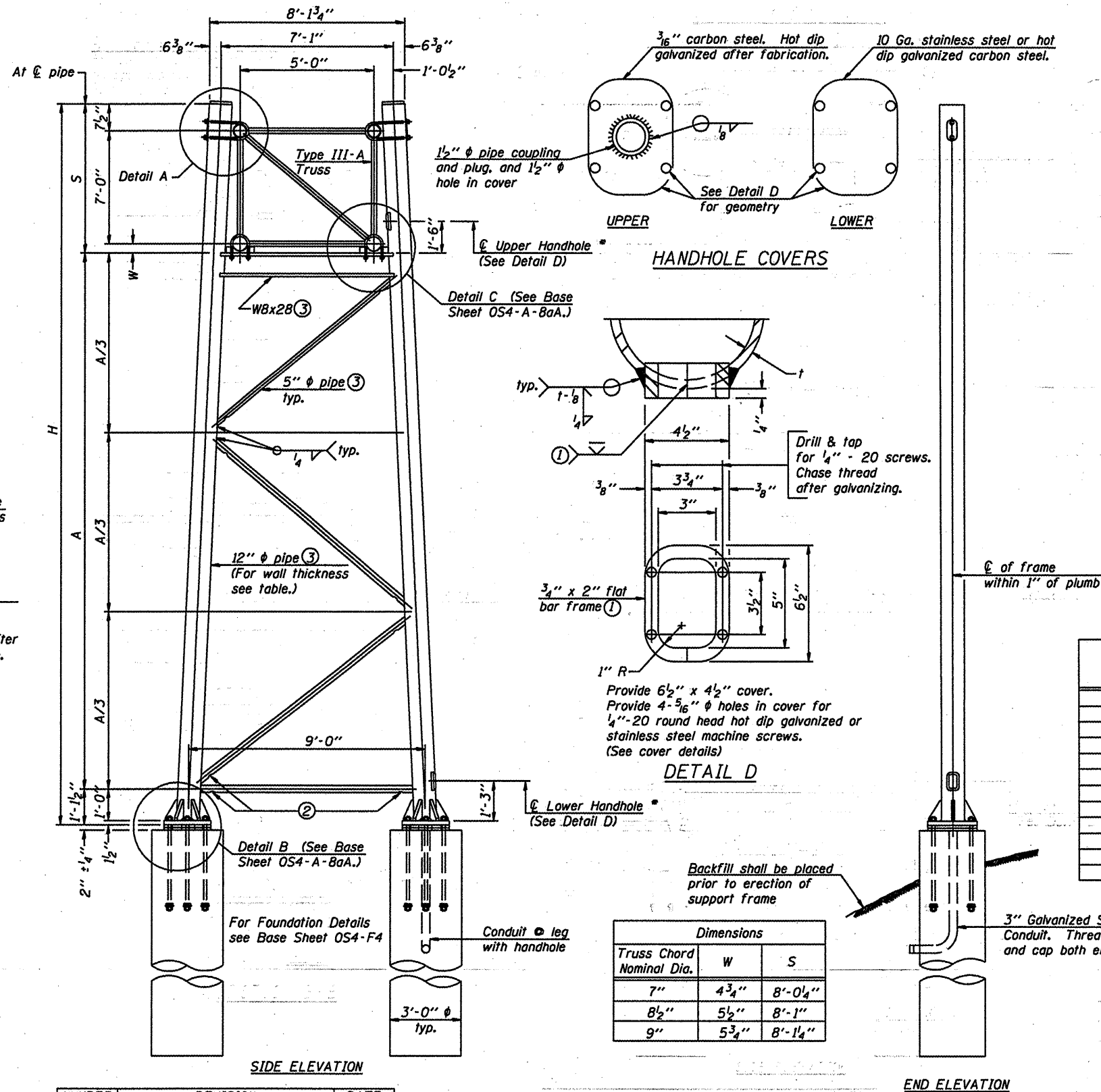
3/4" φ stainless steel U-bolt.
Provide two washers and two hexagon locknuts. (4)
13/16" x 2" slots on 12" φ pipe.
(4 slots required per pipe)



SECTION A-A
As an alternate to bolts, may use galvanized drive-fit caps installed after galvanizing frame.



SECTION B-B



Dimensions

Truss Chord Nominal Dia.	W	S
7"	4 3/4"	8'-0 1/4"
8 1/2"	5 1/2"	8'-1"
9"	5 3/4"	8'-1 1/4"

TRUSS SUPPORT DETAILS
(12" φ Pipe-Type III-A Truss)

Support Design Loads: See Base Sheet OS-A-1 for design and loading criteria.
Load combinations checked include deadload plus:
a) 100% wind normal to sign, 20% parallel to sign
b) 60% wind normal to sign, 30% parallel to sign

- ① In lieu of fabricated handhole frame as shown, may cut from 2" plate (rolling direction vertical). All cut faces to be ground to ANSI Roughness of 500 μin or less.
 - ② Galvanizing vent holes of adequate size shall be provided on underside at each end of bracing pipes. Alternately, holes may be provided in wall of pipe column. All vent holes shall be drilled and de-burred, typ.
 - ③ Steel pipe, plate, carbon steel handhole covers and rolled sections shall be hot dip galvanized after fabrication. Painting is not permitted. See Base Sheet OS-A-1.
 - ④ See General Notes for fasteners.
 - ⑤ Dimensions shown are based on selection criteria in the Sign Structures Manual. Nonstandard applications must have dimensions verified or amended as appropriate.
 - ⑥ "H" based on 15'-0" or actual sign height, whichever is greater.
- * For dynamic message sign installations, provide upper and lower handholes in both legs of each support frame.

Structure Number	Station	Support		Pipe Wall Thickness	H (6)	A
		Left	Right			
ISO161094L033.0	439 + 49	# 1	X	0.330	26'-9"	8'-3"

The "H" and "A" dimensions shown were taken from the existing end support details.
*1. For right end support details see Structure No. ISO161094L033.0 for 12-inch end support.
*2. For right end support details see Structure No. ISO161094L030.8 for 10-inch end support.
*3. For right end support details see Structure No. ISO161094L036.0 for 10-inch end support.

DESIGNED	20
CHECKED	EXAMINED
DRAWN	PASSED
CHECKED	ENGINEER OF BRIDGES AND STRUCTURES

NUMBER	REVISION	DATE

OVERHEAD SIGN STRUCTURES
SUPPORT FRAME for TYPE III-A ALUMINUM TRUSS

District 1
Overhead Sign Structure
Repair & Replacement

NOTES:
1. New End Supports to be installed on existing concrete foundations with existing anchor bolts. The Contractor shall provide new anchor bolt nuts and washers as necessary.
2. These are non standard end supports the Contractor and the Engineer shall field verify the existing end support dimensions and the existing anchor bolt dimensions prior to fabrication of the new end supports. This measurement should include the horizontal distance between the center line of the columns at the base plate to assure the new supports will fit the existing anchor bolt pattern.