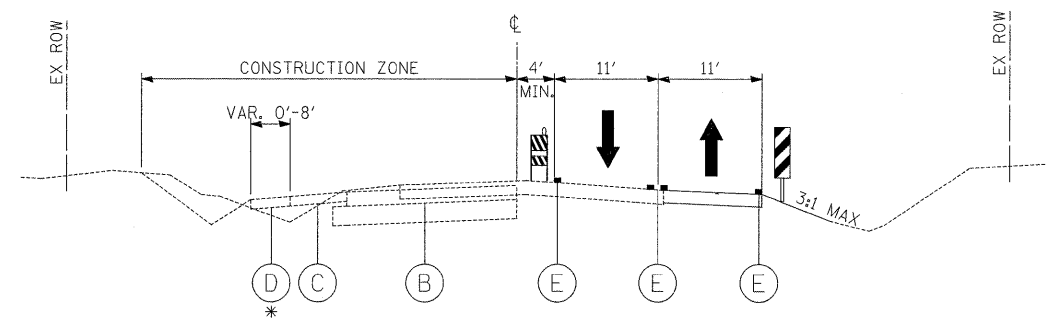
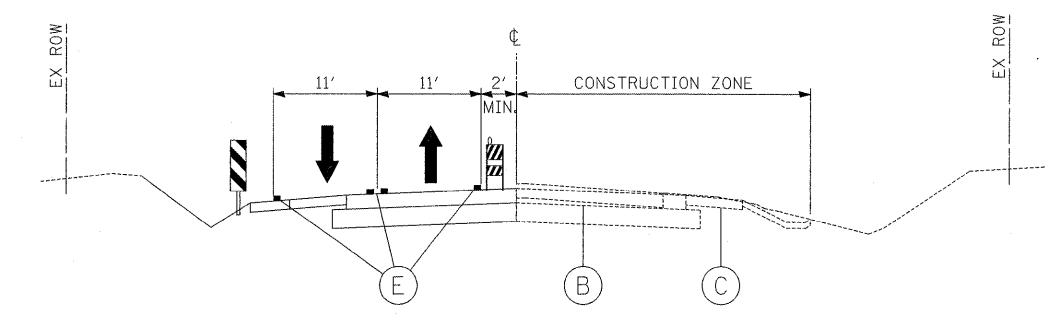


CASEY RD - PRESTAGE CONSTRUCTION

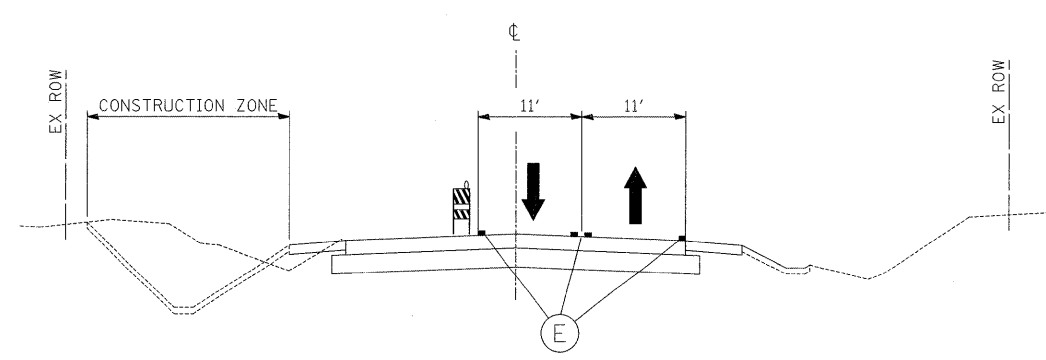


CASEY RD - STAGE 1

\* TEMPORARY WIDENING TO BE CONSTRUCTED AS BIT. SHOULDER, 6"



CASEY RD - STAGE 1A / STAGE 2



CASEY RD - STAGE 2A

NOTE: LANE SHIFT NECESSARY TO ACCOMMODATE RECONSTRUCTION OF INTERSECTION WITH U.S. ROUTE 45 (CONSTRUCTION ZONE NOT SHOWN).

- (A) EXISTING PAVEMENT
- (B) PERMANENT PAVEMENT CONSTRUCTED IN INDICATED STAGE
- (C) PERMANENT SHOULDER CONSTRUCTED IN INDICATED STAGE
- (D) TEMPORARY PAVEMENT CONSTRUCTED IN INDICATED STAGE
- (E) TEMPORARY PAVEMENT MARKING

FILE NAME = #FILE#	USER NAME = #USER#	DESIGNED - MAP	REVISED -
		DRAWN - JRH	REVISED -
	PLOT SCALE = #SCALE#	CHECKED - JW	REVISED -
	PLOT DATE = #DATE#	DATE - 12-12-08	REVISED -

STATE OF ILLINOIS  
DEPARTMENT OF TRANSPORTATION

MAINTENANCE OF TRAFFIC TYPICAL SECTIONS

SCALE: N.T.S. SHEET NO. 2 OF 2 SHEETS STA. TO STA.

F.A.P. RTE. 344	SECTION (46-1S&47)WRS-3	COUNTY LAKE	TOTAL SHEETS 176	SHEET NO. 28
U.S. ROUTE 45 RECONSTRUCTION		CONTRACT NO. 60957		
FED. ROAD DIST. NO.	ILLINOIS FED. AID PROJECT			