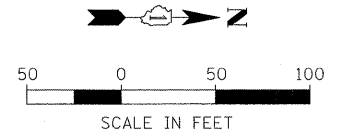
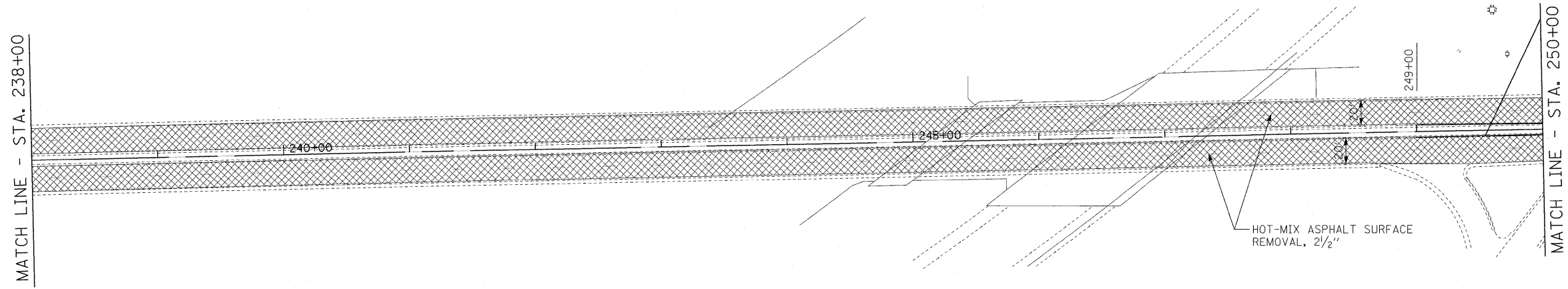


NOTE: CONTRACTOR SHALL TAKE CARE TO ENSURE THAT STRUCTURAL CONCRETE ADJACENT TO CURB AND GUTTER IS NOT DAMAGED IN THE COURSE OF ANY REMOVAL WORK.



- LEGEND:
- HMA SURFACE REMOVAL, 2 1/2"
 - COMB CURB & GUTTER REMOVAL
 - TREE REMOVAL, UNITS
 - TREE TRUNK PROTECTION
 - TEMPORARY FENCE

- NOTE:
1. RELOCATING EXISTING MAILBOXES SHALL BE INCIDENTAL TO THE CONTRACT

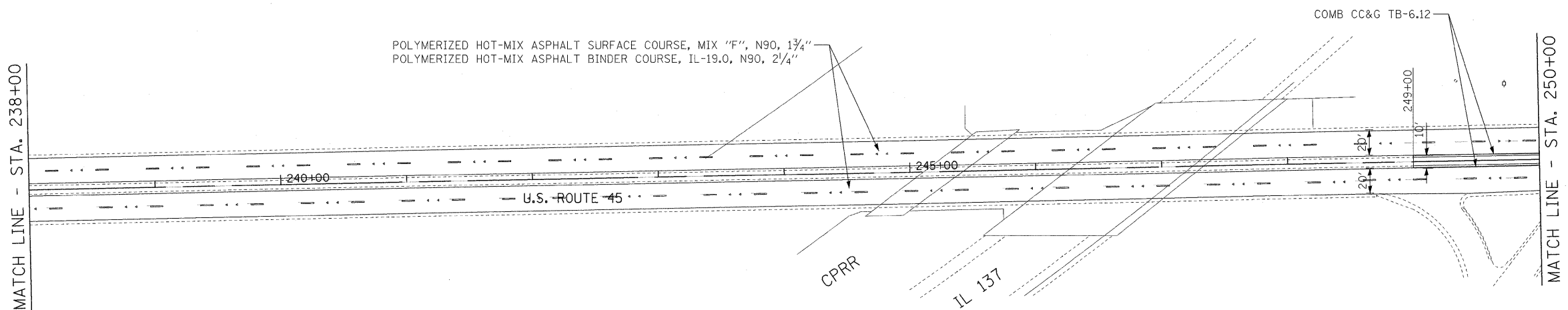


EXISTING CONDITIONS AND REMOVALS - U.S. ROUTE 45

POLYMERIZED HOT-MIX ASPHALT SURFACE COURSE, MIX "F", N90, 1 3/4"
 POLYMERIZED HOT-MIX ASPHALT BINDER COURSE, IL-19.0, N90, 2 1/4"

COMB CC&G TB-6.12

- NOTES:
1. ALL DIMENSIONS ARE IN FEET UNLESS OTHERWISE NOTED.
 2. ALL DRIVEWAYS ARE BITUMINOUS UNLESS OTHERWISE NOTED.
 3. FOR DETAILED ALIGNMENT DATA REFER TO "ALIGNMENT, TIES AND BENCHMARKS" SHEETS.
 4. PROPOSED PAVEMENT FOR BUTT JOINT AREA ON US ROUTE 45 PAID FOR AS: POLYMERIZED HOT-MIX ASPHALT SURFACE COURSE, MIX "F", N90



PROPOSED ROADWAY PLAN - U.S. ROUTE 45

PLAN	SURVEYED	DATE
	PLOTTED	
	GRADES CHECKED	
	ALIGNMENT CHECKED	
	STRUCTURE NOTATION CHECKED	
	NO. _____	

PROFILE	SURVEYED	DATE
	PLOTTED	
	GRADES CHECKED	
	ALIGNMENT CHECKED	
	STRUCTURE NOTATION CHECKED	
	NO. _____	

FILE NAME =	USER NAME = #USER#	DESIGNED - MAP	REVISED -	STATE OF ILLINOIS DEPARTMENT OF TRANSPORTATION	ROADWAY RESURFACING PLAN — U.S. ROUTE 45	F.A. RTE.	SECTION	COUNTY	TOTAL SHEETS	SHEET NO.	
#FILE#		DRAWN - JRH	REVISED -			344	(46-1S&47)WRS-3	LAKE	176	52	
		CHECKED - JW	REVISED -			U.S. ROUTE 45 RECONSTRUCTION		CONTRACT NO. 60957			
		DATE - 12-12-08	REVISED -			SCALE: 1"=50'		SHEET NO. 2 OF 2 SHEETS		STA. 238+00 TO STA. 250+00	
						FED. ROAD DIST. NO. [ILLINOIS] FED. AID PROJECT					