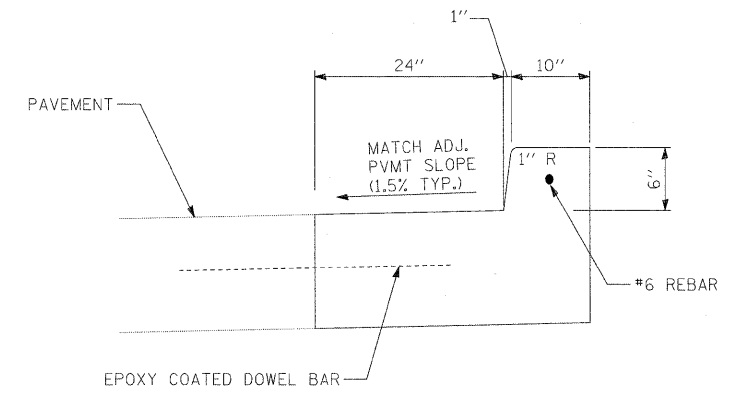


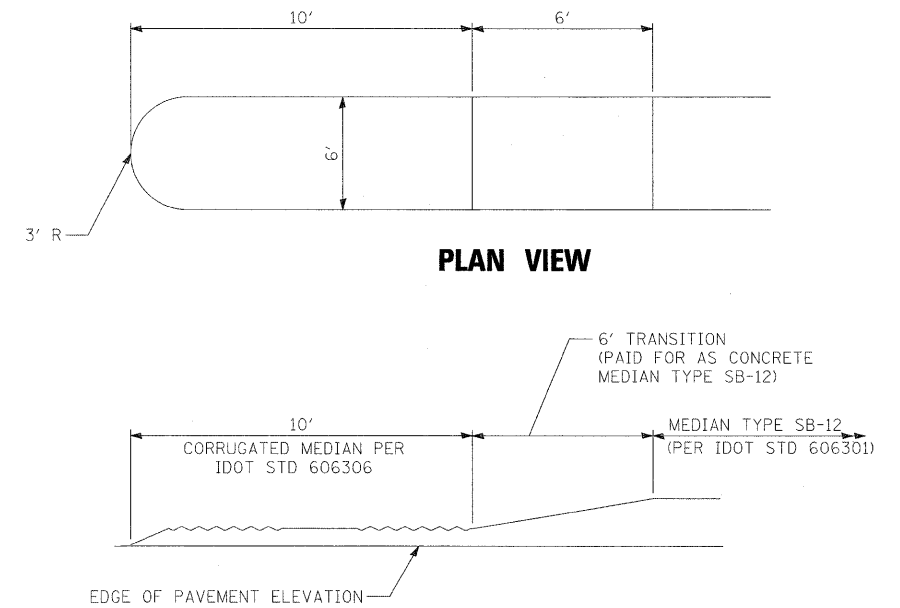
**MEDIAN REMOVAL AND REPLACEMENT  
STA. 329 + 53 TO STA. 331 + 60**

SCALE: 1" = 20'



**COMBINATION CONCRETE CURB AND GUTTER, (SPECIAL)**

(NOT TO SCALE)



**PLAN VIEW**

**PROFILE VIEW**

**CORRUGATED MEDIAN NOSE DETAIL**

(NOT TO SCALE)

FILE NAME = #FILE#	USER NAME = #USER#	DESIGNED - MAP	REVISED -	<b>STATE OF ILLINOIS DEPARTMENT OF TRANSPORTATION</b>	<b>ROADWAY DETAILS</b>		F.A.P. RTE. 344	SECTION (46-15&47)WRS-3	COUNTY LAKE	TOTAL SHEETS 176	SHEET NO. 60
	PLOT SCALE = #SCALE#	DRAWN - JRH	REVISED -		SCALE: 1" = 20'	SHEET NO. 1 OF 1 SHEETS	STA. TO STA.	U.S. ROUTE 45 RECONSTRUCTION CONTRACT NO.		FED. ROAD DIST. NO. [ILLINOIS] FED. AID PROJECT	
	PLOT DATE = #DATE#	CHECKED - JW	REVISED -								
		DATE - 01-03-08	REVISED -								