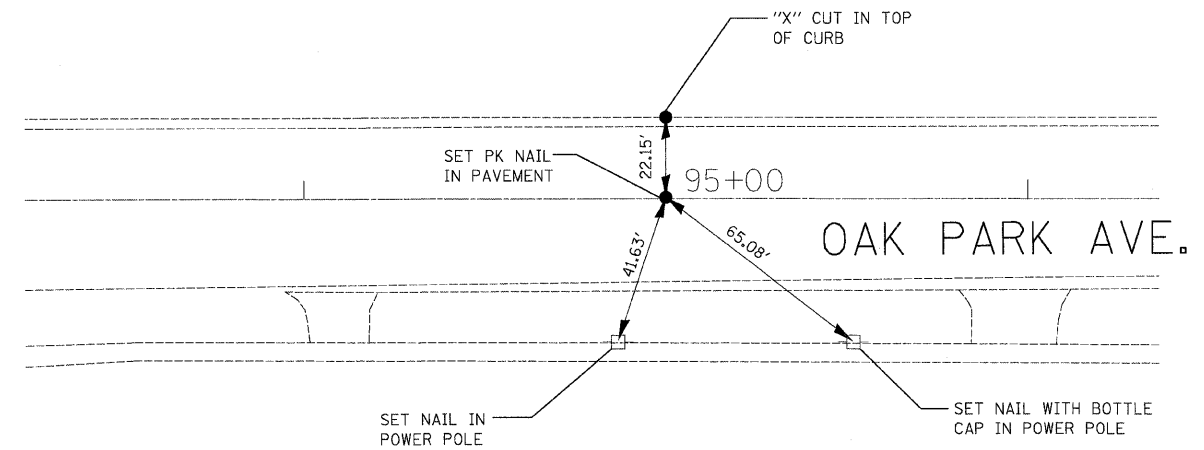


P.O.T. STA. 80+00.00

N = 1780260.072
E = 1134721.877



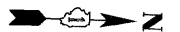
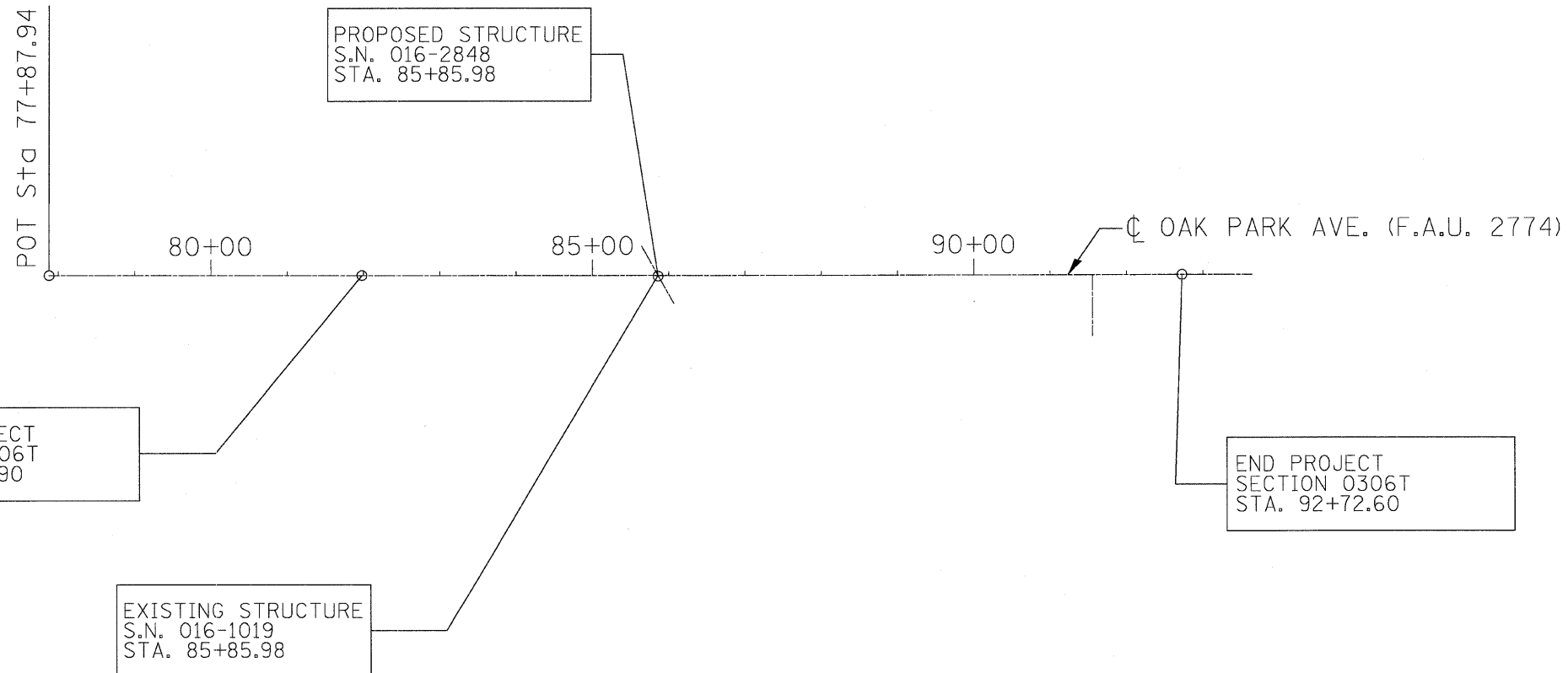
P.O.T. STA. 95+00.00

N = 1781759.324
E = 1134674.494

NOT TO SCALE

NOT TO SCALE

BENCHMARK: FOUND "X" CUT IN THE CENTER OF THE EAST HEADWALL OF THE OAK PARK AVENUE CULVERT OVER UNION DRAINAGE DITCH. (S.N. 016-1019); STA. 85+98, 21.94' RT.; ELEV. = 692.72



50' 0 50' 100'
SCALE: 1" = 100'

FILE NAME = ...Phase Two\0162007-sh1-ATB.dgn	USER NAME = Plotted by Flm	DESIGNED - ST	REVISED -	STATE OF ILLINOIS DEPARTMENT OF TRANSPORTATION	ALIGNMENT & TIES OAK PARK AVENUE OVER UNION DRAINAGE DITCH			F.A.U. RTE. 2774	SECTION 0306T	COUNTY COOK	TOTAL SHEETS 55	SHEET NO. 15
	PLOT SCALE = 100.000' / IN.	CHECKED - FL	REVISED -		SCALE: 1" = 100'	SHEET NO. 1 OF 1 SHEET	STA. 81+87.90 TO STA. 92+72.60	CONTRACT NO. 60C07				
PLOT DATE = 12/9/2008	DATE - 10/2008	REVISED -			FED. ROAD DIST. NO.		ILLINOIS FED. AID PROJECT					