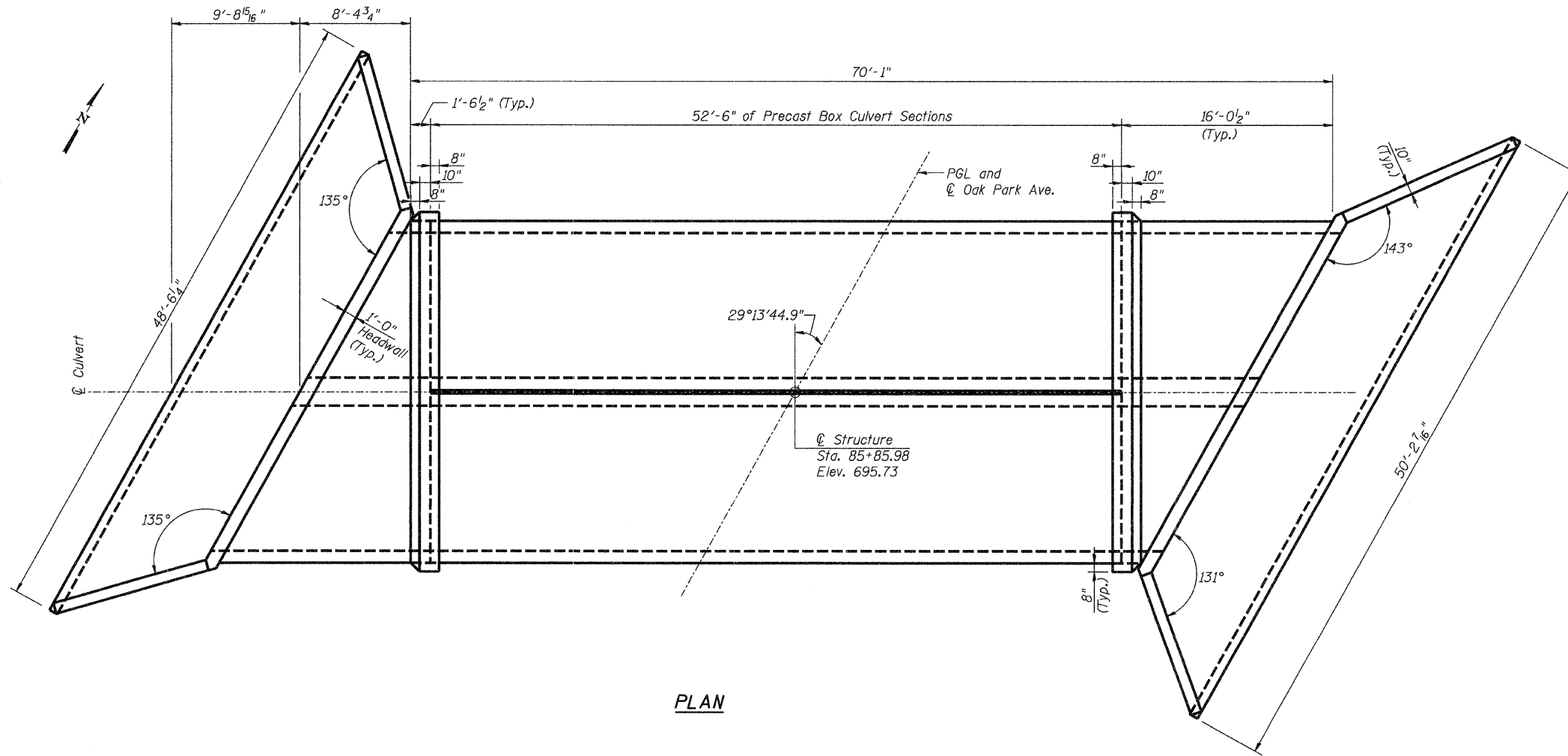
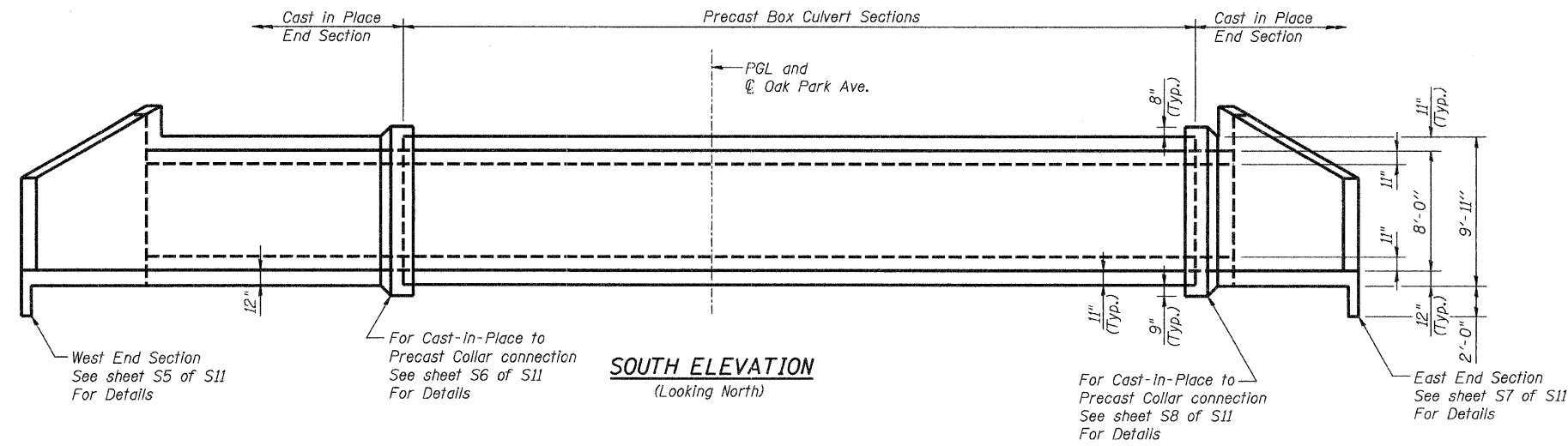


STATE OF ILLINOIS
DEPARTMENT OF TRANSPORTATION



BOX CULVERT LAYOUT

COLLINS ENGINEERS	SHEET NO. S3 OF S11 SHEETS	F.A.U. RTE.	SECTION	COUNTY	TOTAL SHEETS	SHEET NO.
		2774	0306T	COOK	55	28
DESIGNED: LDB	CHECKED: JMH	SN: 016-2848		CONTRACT NO. 60C07		
DATE: 3/27/09	DRAWN: DR	FED. ROAD DIST. NO. - ILLINOIS FED. AID PROJECT				