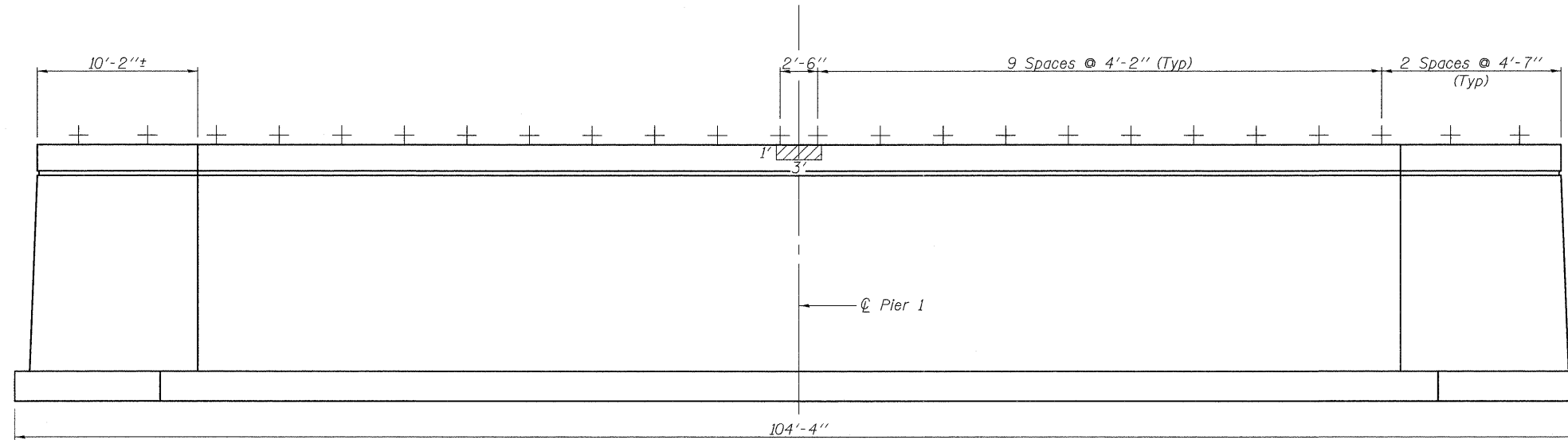
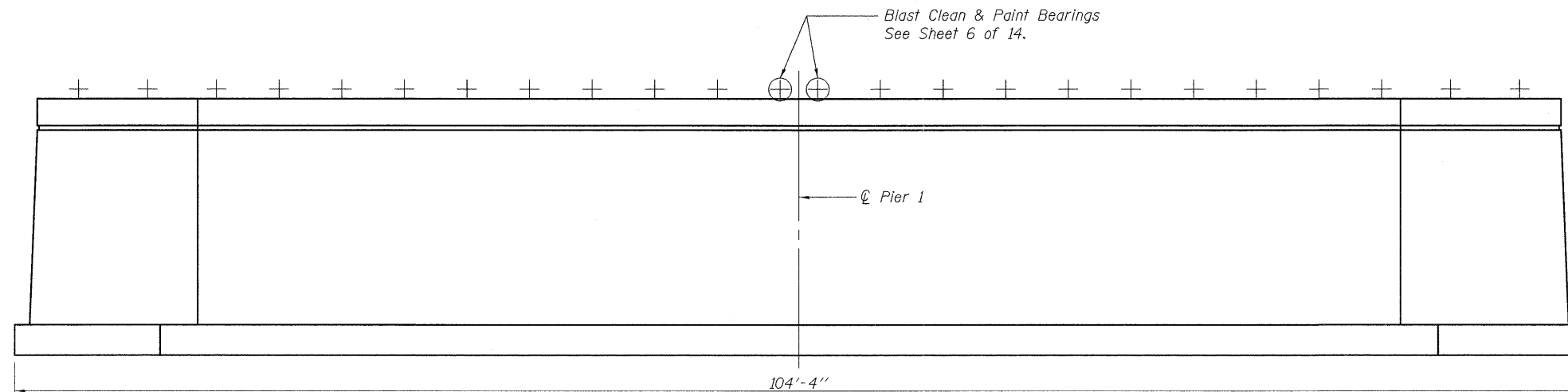


Contract #60D70



**PIER #1 SOUTH FACE ELEVATION**



**PIER #1 NORTH FACE ELEVATION**

**NOTES**

- + Bearing
- ⊕ Blast Clean & Paint Bearings
- ▨ Structural Repair of Concrete (Depth greater than 5')

**BILL OF MATERIAL**

Item	Unit	Quantity
Structural Repair of Concrete (Depth greater than 5')	Sq. Ft.	3.0

**rjngroup**  
Excellence through Ownership  
200 West Front Street  
Wheaton, IL 60187

ILLINOIS DEPARTMENT OF TRANSPORTATION  
PIER REPAIRS - I  
IL 43 OVER STONY CREEK  
FAP RTE 348 SECTION 3128-Z-B-1  
COOK COUNTY  
STATION 179+01.40  
STRUCTURE NO. 016-0322  
DATE: 11-30-2009  
DRAWN BY: JMT  
CHECKED BY: WJV

2/12/2009 ka\1122552\structures\11\_43 over stony creek\final\p101a\Repairs.rvt