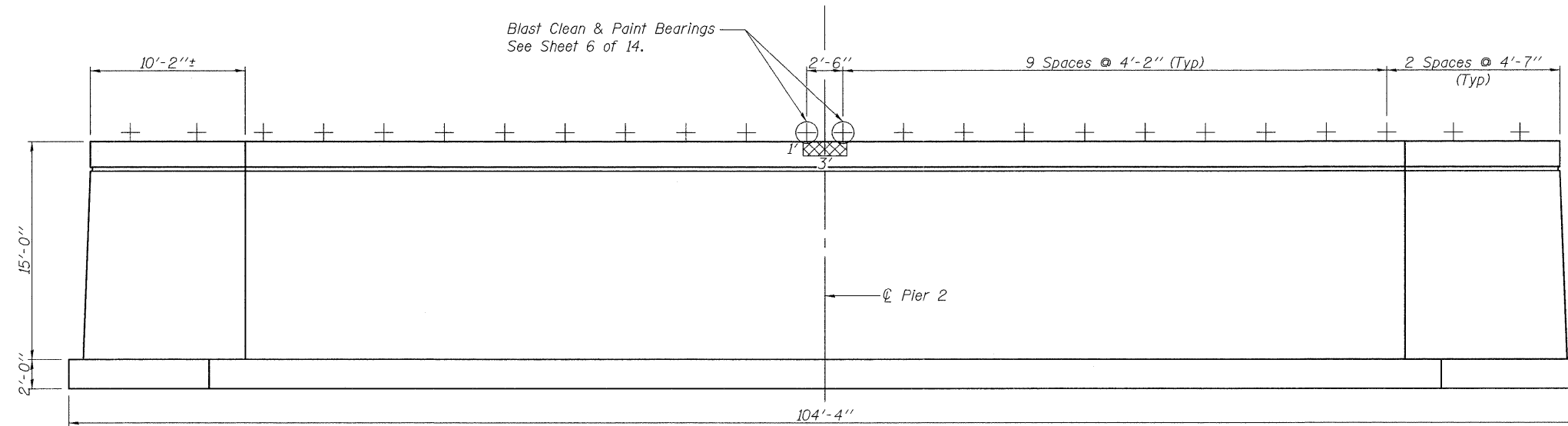
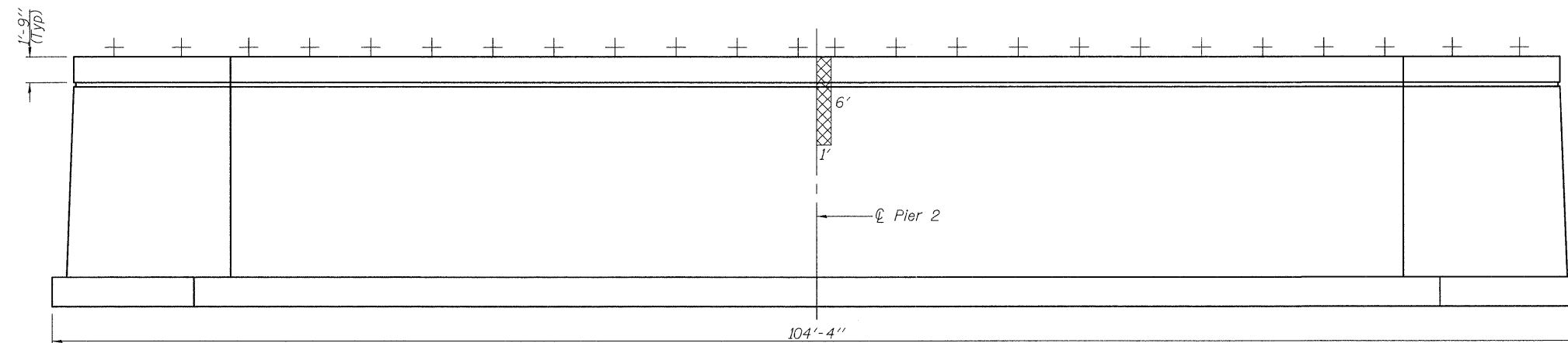


Contract #60D70



PIER #2 NORTH FACE ELEVATION



PIER #2 SOUTH FACE ELEVATION

NOTES

- + Bearing
- ⊕ Blast Clean & Paint Bearings
- ▨ Structural Repair of Concrete (Depth equal to or less than 5")

BILL OF MATERIAL

Item	Unit	Quantity
Structural Repair of Concrete (Depth equal to or less than 5")	Sq. Ft.	9.0

rjngroup
Excellence through Ownership
200 West Front Street
Wheaton, IL 60187

ILLINOIS DEPARTMENT OF TRANSPORTATION
PIER REPAIRS - II
IL 43 OVER STONY CREEK
FAP RTE 348 SECTION 3128-Z-B-1
COOK COUNTY
STATION 179+01.40
STRUCTURE NO. 016-0322
DATE: 1-30-2009
DRAWN BY JMT
CHECKED BY WJV

2/12/2009 k:\1122562\structures\11_43 over stony creek\final plans\Repairs.dgn