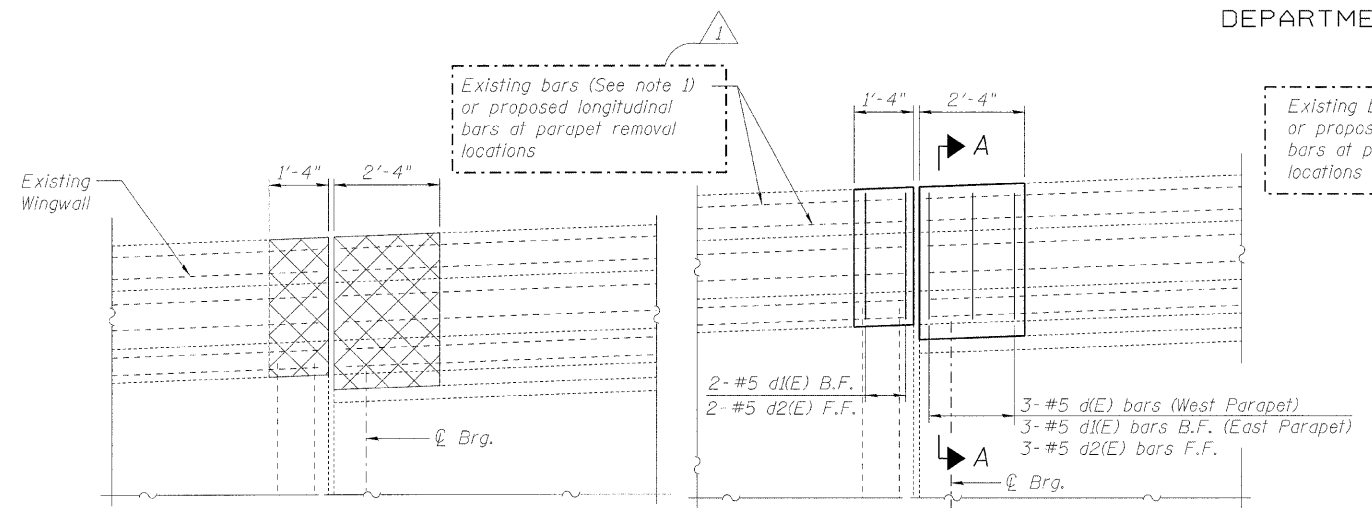


STATE OF ILLINOIS
DEPARTMENT OF TRANSPORTATION

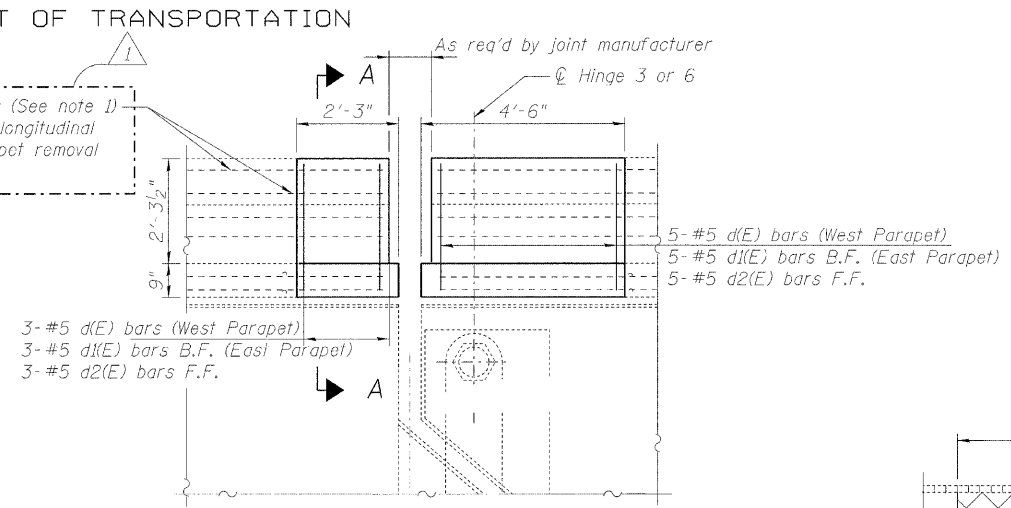


PARAPET REMOVAL AT ABUTMENTS

Southwest Wingwall shown
(Three other locations similar)

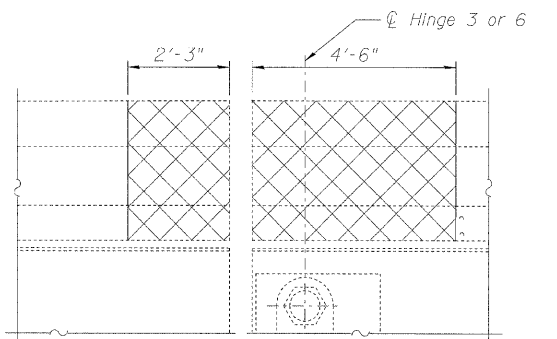
PROPOSED PARAPET ELEVATION AT ABUTMENTS

Southwest Wingwall shown
(Three other locations similar)

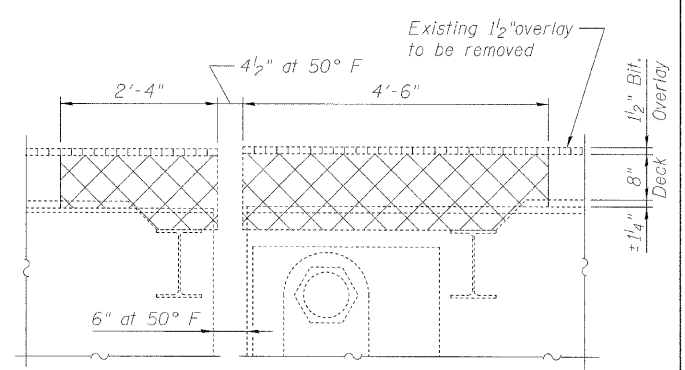


PROPOSED PARAPET ELEVATION AT HINGES

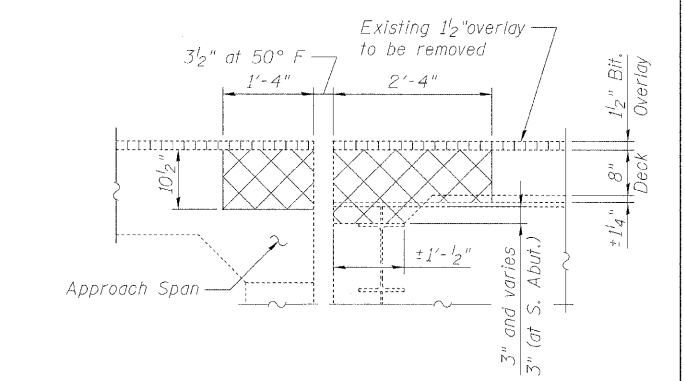
Hinge 3 Northside shown
(Three other locations similar)



PARAPET REMOVAL AT HINGES

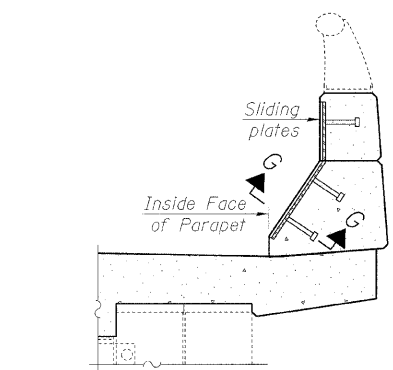


CONCRETE REMOVAL AT HINGES

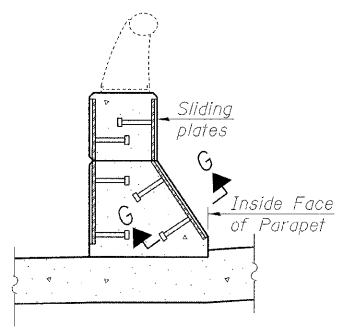


CONCRETE REMOVAL AT ABUTMENTS

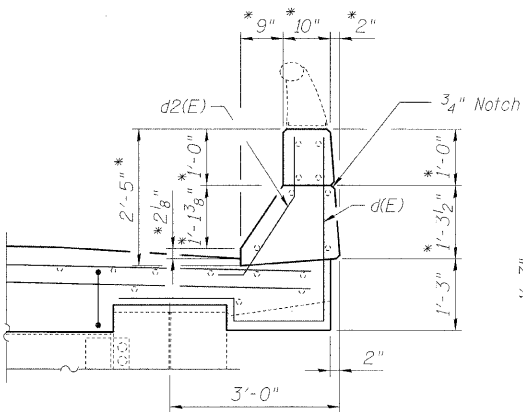
* Parapet dimensions should match existing and should be verified in the field.



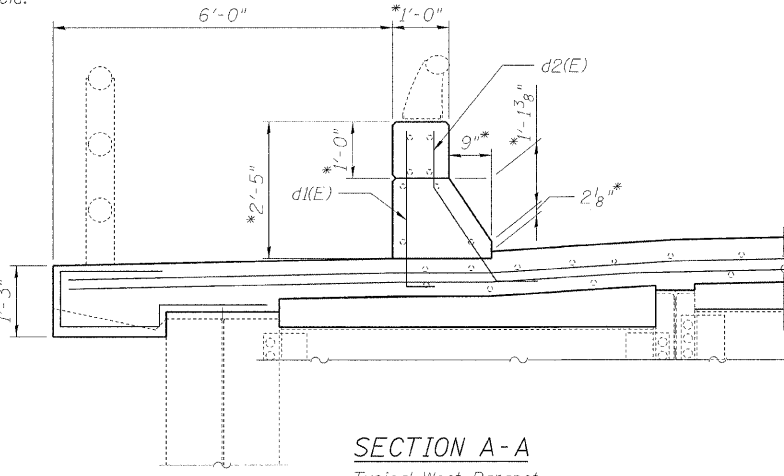
SECTION THRU WEST PARAPET



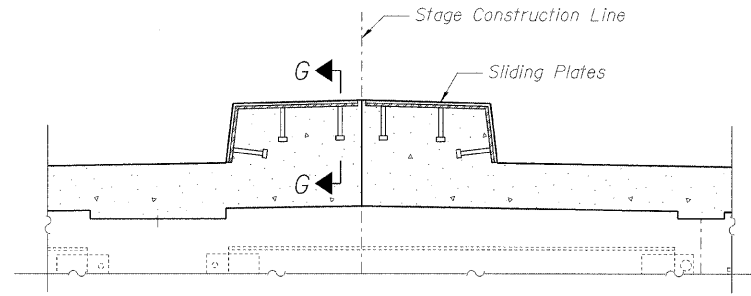
SECTION THRU EAST PARAPET



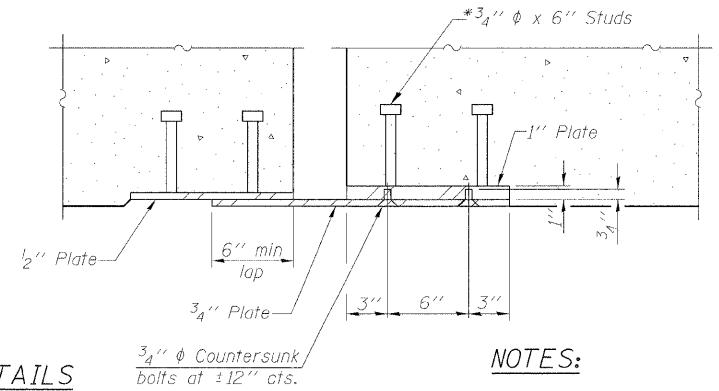
SECTION A-A
Typical East Parapet



SECTION A-A
Typical West Parapet



SECTION THRU MEDIAN



SECTION G-G

STEEL PLATE DETAILS
Included in the Modular Expansion Joint, 9"

NOTES:

- Existing vertical reinforcement protruding from the wingwall and horizontal reinforcement protruding from the existing parapet to remain in place. The existing reinforcement shall be sandblasted clean, straightened and incorporated into the new construction.
- Work this sheet with sheet S-13 and S-14.
- Quantities for concrete removal shown on sheet S-7 & S-8.
- Quantities for concrete superstructure and rebar shown on sheet S-13.

LEGEND:
Concrete Removal

DESIGNED	B. Sauter
CHECKED	E. Mroczek
DRAWN	R. Danley
CHECKED	B. Sauter

Ciorba Group, Inc.
CONSULTING ENGINEERS
5507 North Cumberland Avenue, Suite 402 Chicago, Illinois 60656
Tel. 773.775.4009 Fax 773.775.4014 Email chicago@ciorba.com

Revised 4/08/09 E.K.M.

EXPANSION JOINT REPLACEMENT III
S.N. 016-0540

SHEET NO. S-15	F.A.U. RTE.	SECTION	COUNTY	TOTAL SHEETS	SHEET NO.
	2697	142 B-1-I	COOK	48	29
S-27 SHEETS			CONTRACT NO. 60D89		
FED. ROAD DIST. NO.		ILLINOIS FED. AID PROJECT			

r:danley 4/8/2009
 nt:\pro\3329\3329_30\design\structural\ced\sh\concrete_repairs\3329_30_15_Exp_Joint_Replacement_III_Rev_1.sht