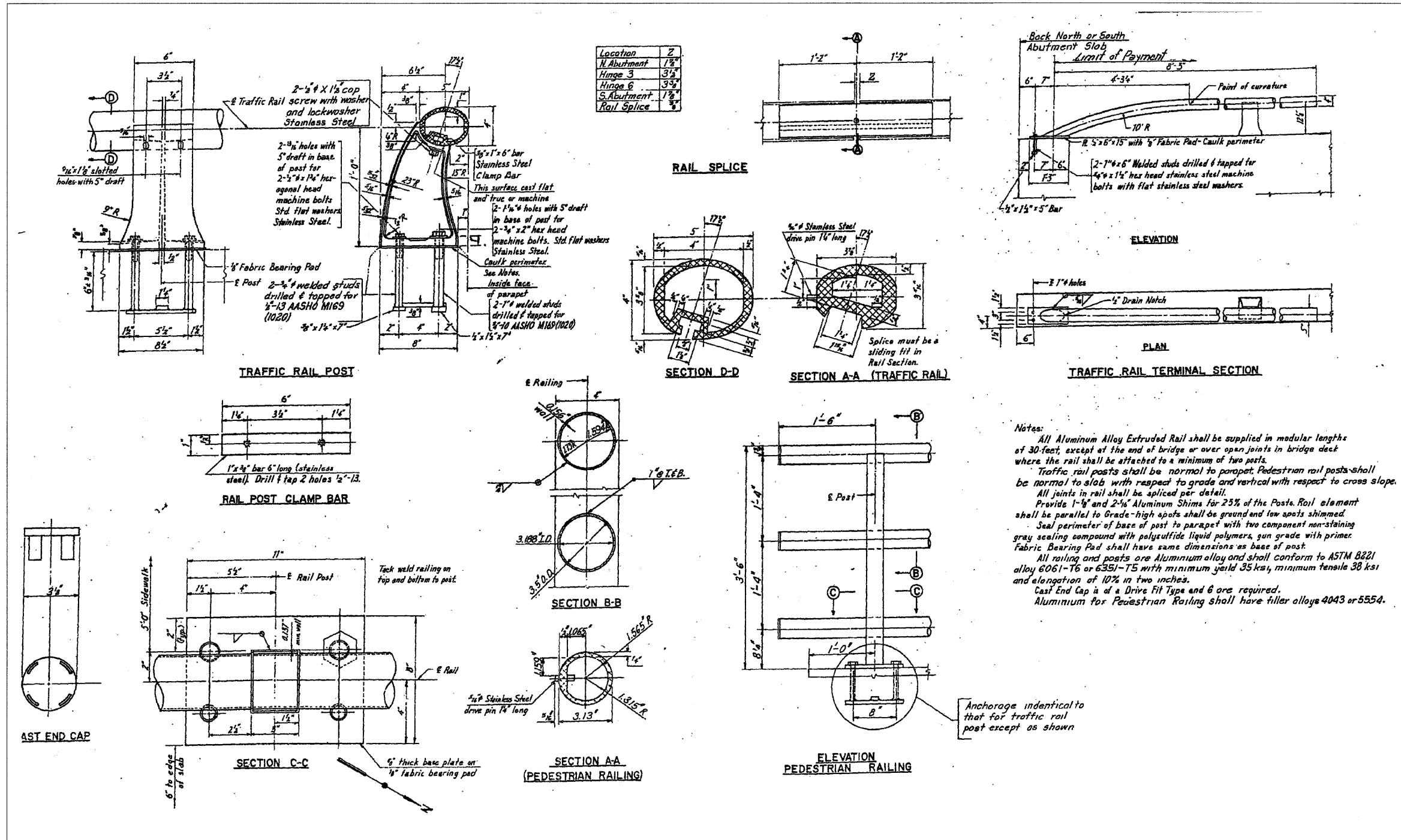


STATE OF ILLINOIS
DEPARTMENT OF TRANSPORTATION



NOTE:

In lieu of reusing the existing cast-in-place anchor device shown, the Contractor has the option of drilling and setting stainless steel anchor rods of the same diameter and grade as the specified cap screws according to Article 509.06 of the Standard Specifications. Embedment shall be according to the manufacturer's specifications. Substitutions shall be provided at no additional cost.

FROM RECORD PLANS
FOR INFORMATION ONLY

EXISTING RAILING DETAILS
S.N. 016-0540

DESIGNED	B. Sauter
CHECKED	E. Mroczek
DRAWN	R. Danley
CHECKED	B. Sauter



Ciorba Group, Inc.
CONSULTING ENGINEERS
5507 North Cumberland Avenue, Suite 402 Chicago, Illinois 60656
Tel. 773.775.4009 Fax 773.775.4014 Email chicago@ciorba.com

SHEET NO. S-15C	F.A.U. RTE.	SECTION	COUNTY	TOTAL SHEETS	SHEET NO.
	2697	142 B-1-I	COOK	48	29C
S-27 SHEETS			CONTRACT NO. 60D89		
FED. ROAD DIST. NO.		ILLINOIS FED. AID PROJECT			

Added Sheet 4/08/09 E.K.M.