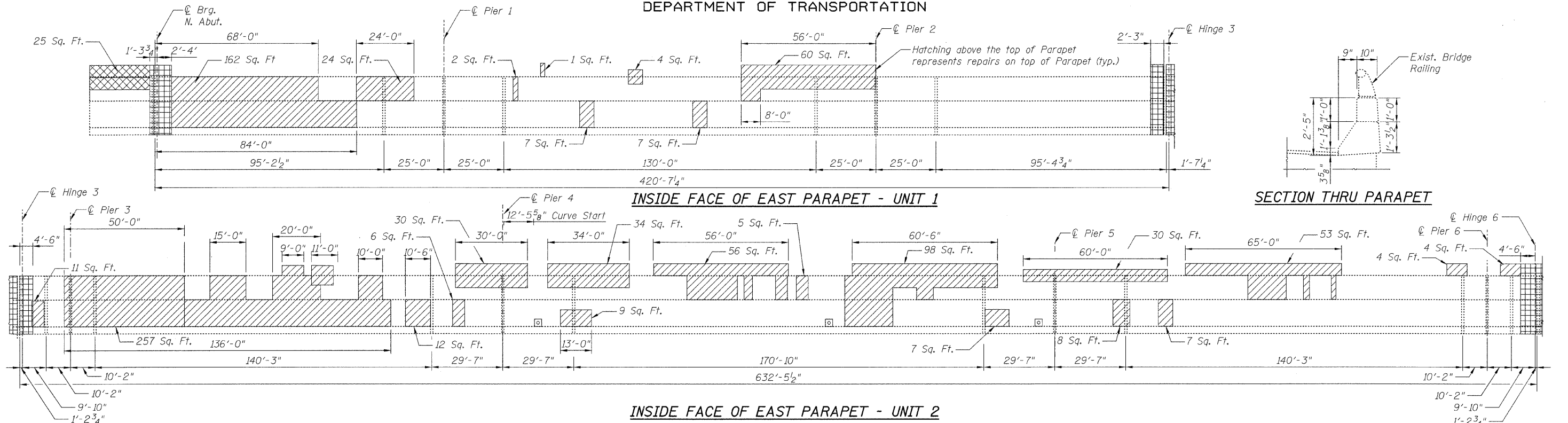
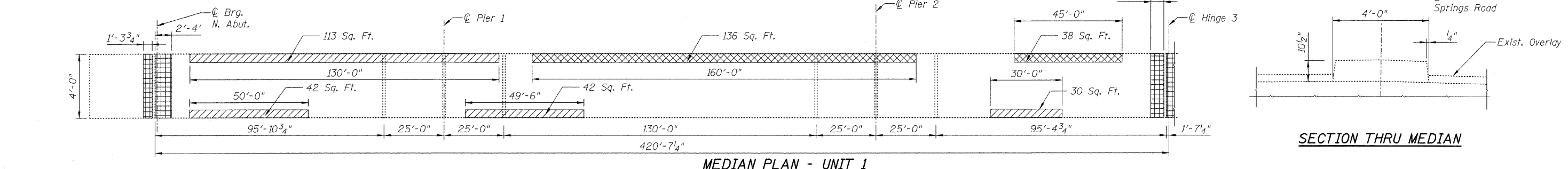
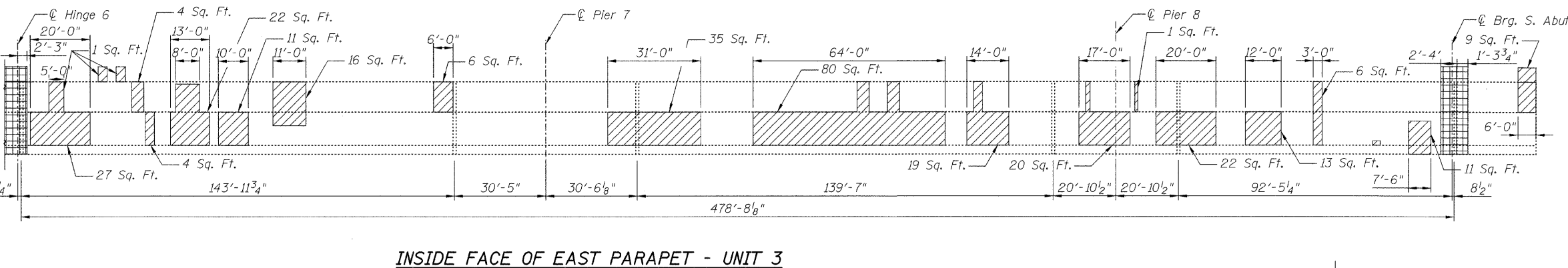


STATE OF ILLINOIS
DEPARTMENT OF TRANSPORTATION



NOTES:

1. Repairs shall include but not limited to the areas shown. The actual areas to be repaired will be determined by engineer at the time of construction.
2. Removal and reattachment of railing, if necessary to perform concrete repairs or concrete removal, shall be included respectively with Concrete Repairs or Concrete Removal.
3. Quantities for Concrete Removal shown on sheets S-7 and S-8.
4. Contractor shall use extreme care in the concrete removal operation. Any spalling or rebar damage caused by this operation will be repaired by the Contractor and at no additional cost to the Department.
5. Quantities in the Bill of Material for Structural Concrete Repairs are 10% greater than areas shown to accommodate for degradation since last delamination survey.
6. For sidewalk face repairs see sheet S-10.
7. Vertical scale for parapets is ten times greater than horizontal scale to show defects.



LEGEND:

- Structural Repair of Concrete (Depth Equal to or Less than 5 inches)
- Structural Repair of Concrete (Depth Greater than 5 inches)
- Concrete Removal
- Electrical Box

BILL OF MATERIAL

ITEM	UNIT	QUANTITY
Structural Concrete Repairs (Depth Equal to or Less than 5 inches)	Sq. Ft.	1,433
Structural Concrete Repairs (Depth Greater than 5 inches)	Sq. Ft.	216
Protective Coat	Sq. Yd.	203

SUPERSTRUCTURE REPAIRS III
S.N. 016-0540

SHEET NO. S-9 S-27 SHEETS	F.A.U. RTE. 2697	SECTION 142 B-1-I	COUNTY COOK	TOTAL SHEETS 48	SHEET NO. 23
	CONTRACT NO. 60D89				
FED. ROAD DIST. NO.		ILLINOIS		FED. AID PROJECT	

DESIGNED	B. Sauter
CHECKED	E. Mroczek
DRAWN	R. Danley
CHECKED	B. Sauter

Ciorba Group, Inc.
CONSULTING ENGINEERS
5507 North Cumberland Avenue, Suite 402 Chicago, Illinois 60656
Tel. 773.775.4009 Fax 773.775.4014 Email chicago@ciorba.com

rdama10
 2/4/2009
 n:\proj\3329\3329_30\design\structural\concrete_repair\3329_30_09_Deck_Repair.dwg