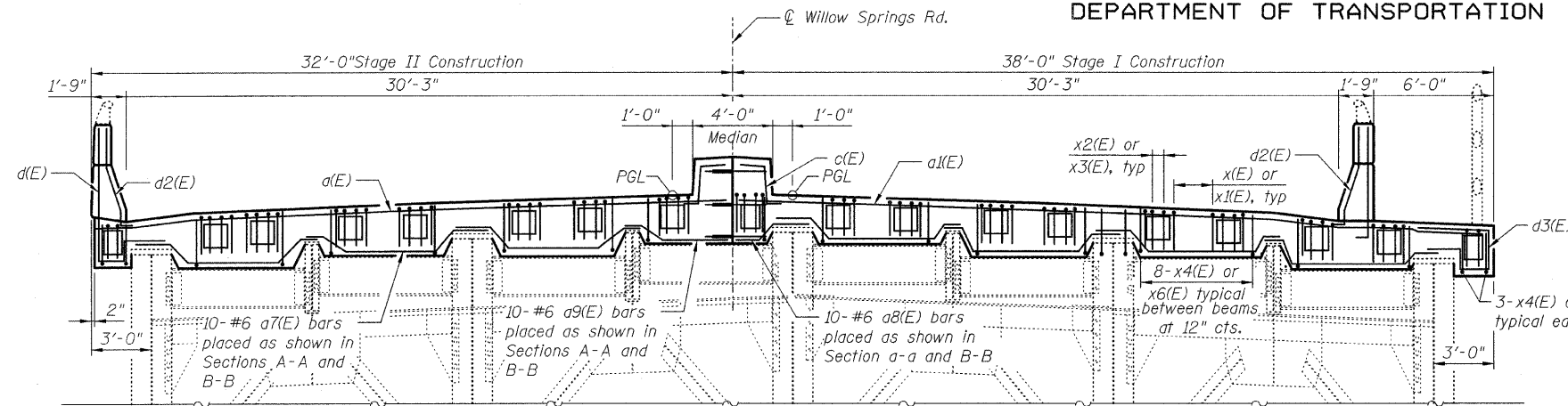
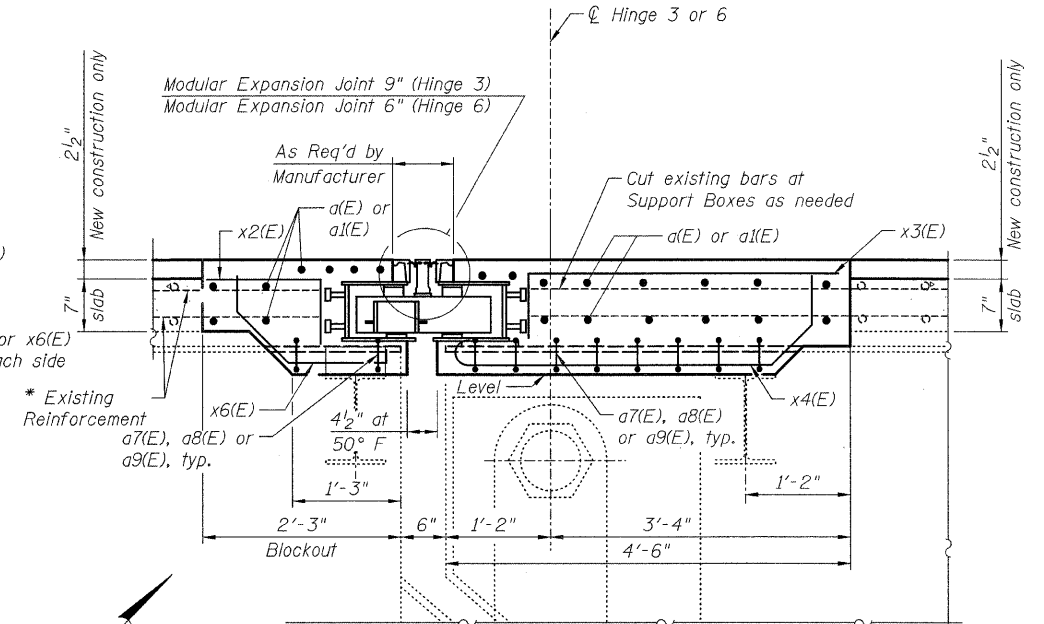


STATE OF ILLINOIS
DEPARTMENT OF TRANSPORTATION



HINGE 3 ELEVATION
Hinge 6 similar

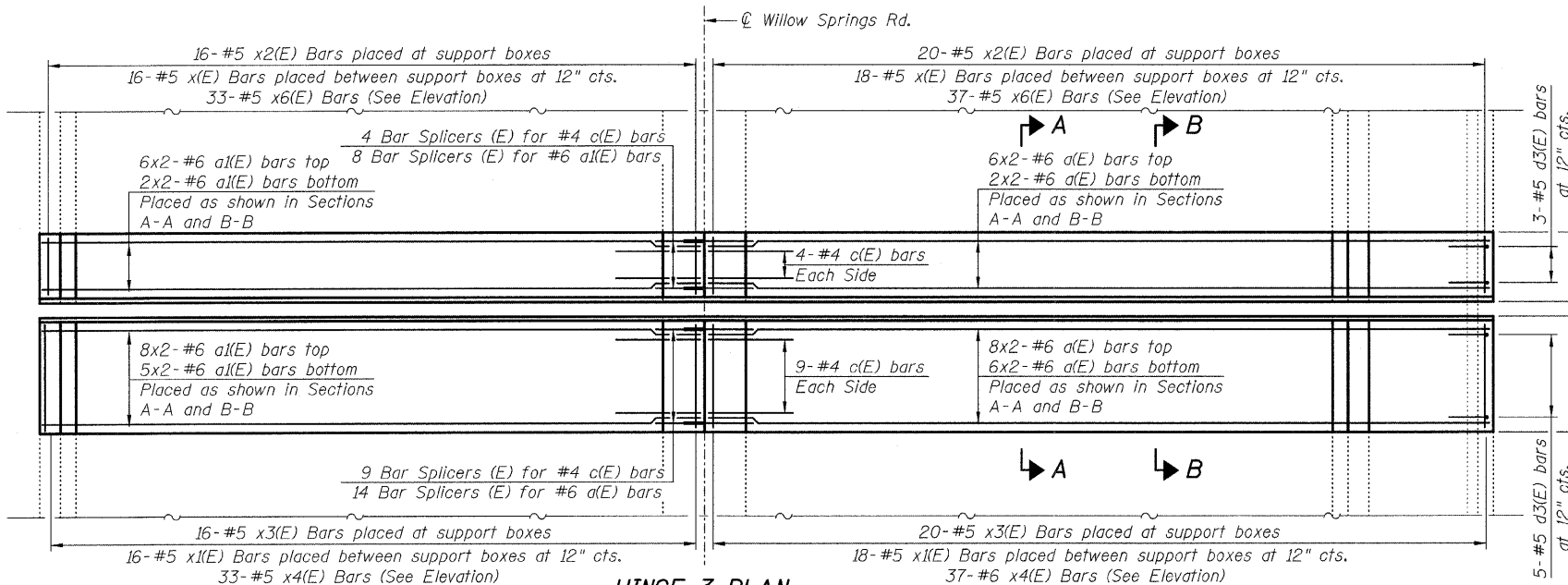
* Removal and replacement of Railing Included In Concrete Superstructure.



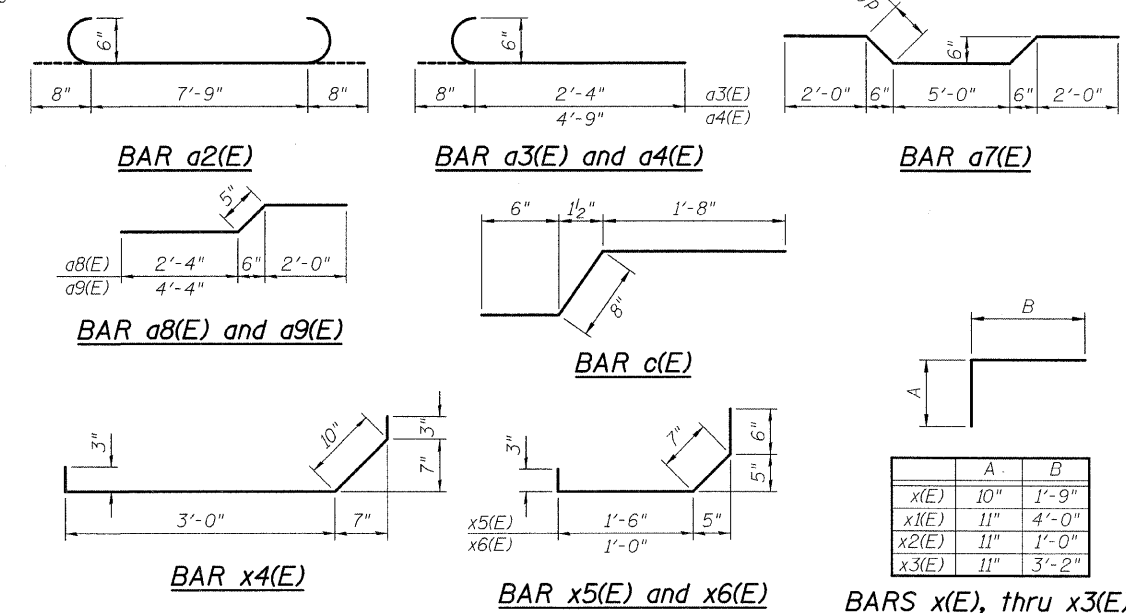
SECTION A-A
THRU MODULAR JOINT SUPPORT BOX

Space Support Boxes 2' from \varnothing Girder and stringers at 4' spacing.

* Existing reinforcement shown should be blast cleaned, straightened, and incorporated into new construction.



HINGE 3 PLAN
Hinge 6 similar by rotation



NOTES:

1. Reinforced bars designated (E) shall be epoxy coated.
2. Work this sheet with S-13 & S-15.
3. Bars indicated thus 1x2 #5 etc. indicates 1 line of bars with 2 lengths per line.
4. Modular expansion joints shall be assembled in their final relative position with the ends in place for shop inspection and acceptance.
5. Bill of Material shown on sheet S-13.
6. See sheet S-15 for existing and proposed parapet Elevations.

MIN. LAP SPLICES

- #5 bars- 2'-2"
- #6 bars- 2'-7"

EXPANSION JOINT REPLACEMENT II
S.N. 016-0540

DESIGNED	B. Sauter
CHECKED	E. Mroczek
DRAWN	R. Danley
CHECKED	B. Sauter

Ciorba Group, Inc.
CONSULTING ENGINEERS
5507 North Cumberland Avenue, Suite 402 Chicago, Illinois 60656
Tel. 773.775.4009 Fax 773.775.4014 Email chicago@ciorba.com

SECTION B-B

SHEET NO. S-14 S-27 SHEETS	F.A.U. RTE. 2697	SECTION 142 B-1-I	COUNTY COOK	TOTAL SHEETS 48	SHEET NO. 28
	CONTRACT NO. 60D89				
FED. ROAD DIST. NO.		ILLINOIS FED. AID PROJECT			

2/4/2009
 m:\proj\3329\3329_30\design\structural\load\sh\concrete_repairs\3329_30_14 Exp Joint Replacement II.rvt
 rdanley