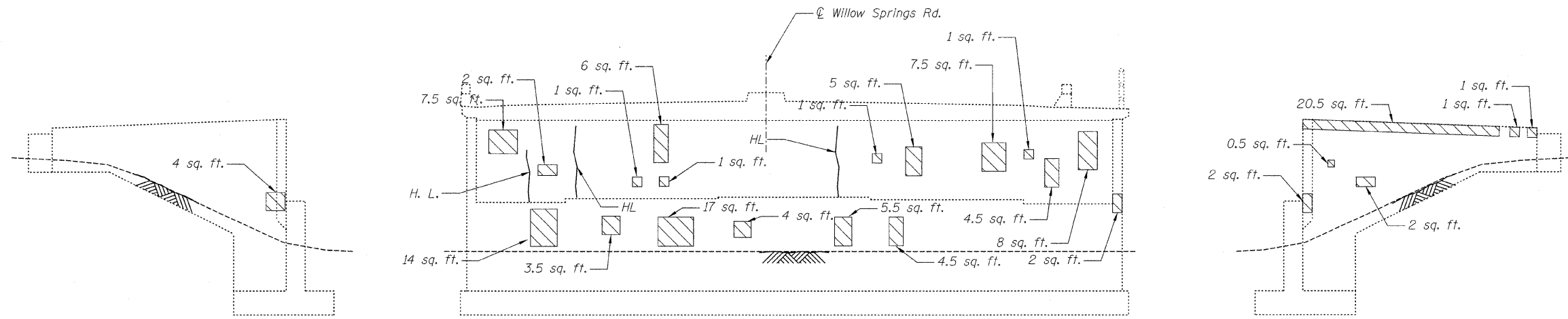


STATE OF ILLINOIS
DEPARTMENT OF TRANSPORTATION



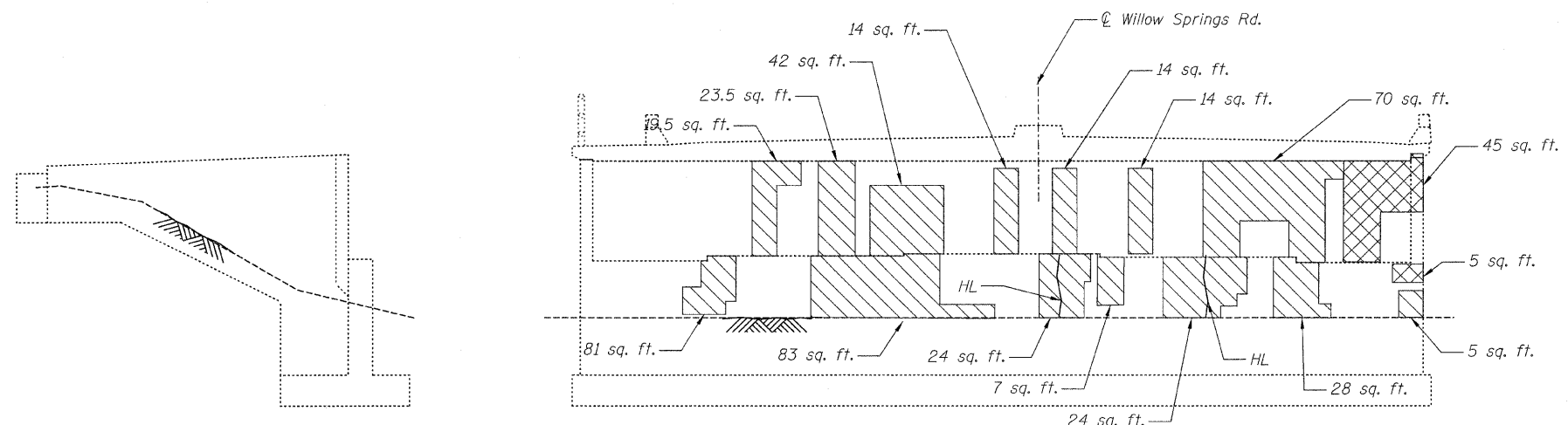
WEST WINGWALL

NORTH ABUTMENT

EAST WINGWALL

LAST SUBSTRUCTURE SURVEY

November 7, 2007
(Typical for all substructure repairs)



EAST WINGWALL

SOUTH ABUTMENT

WEST WINGWALL

BILL OF MATERIAL

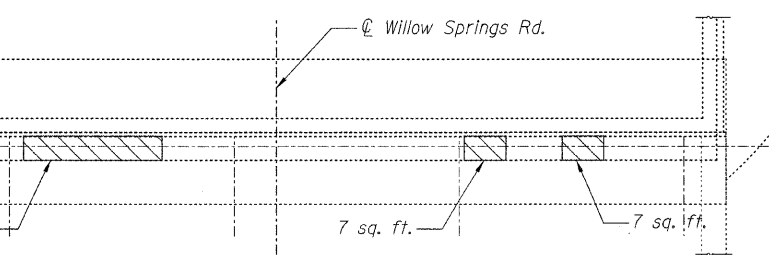
ITEM	UNIT	QUANTITY
Structural Repair of Concrete (Depth Equal to or Less than 5 inches)	Sq. Ft.	670
Structural Repair of Concrete (Depth Greater than 5 inches)	Sq. Ft.	55
Concrete Sealer	Sq. Ft.	694

NOTES:

- Repairs shall include but not be limited to the areas shown. The actual areas to be repaired will be determined by engineer at the time of construction.
- The contractor is ultimately responsible for the means and methods to assure the complete stability of the structural members during construction.
- Structural Repair of Concrete Quantities are 10% greater than areas shown to accommodate for degradation since last substructure survey.
- Concrete sealer shall be applied to all structural repair of concrete on backwalls, bridge seats and front faces of abutments.

ABUTMENTS-CONCRETE REPAIRS

S.N. 016-0540



PLAN - SOUTH ABUTMENT

LEGEND

- HL Hairline Crack (No Repairs)
- Structural Repair of Concrete
(Depth Equal to or Less than 5 Inches)
- Structural Repair of Concrete
(Depth Greater than 5 Inches)

DESIGNED	B. Sauter
CHECKED	E. Mroczek
DRAWN	R. Danley
CHECKED	B. Sauter



Giorba Group, Inc.
CONSULTING ENGINEERS

5507 North Cumberland Avenue, Suite 402 Chicago, Illinois 60656
Tel. 773.775.4009 Fax 773.775.4014 Email chicago@giorba.com

SHEET NO. S-18	F.A.U. RTE.	SECTION	COUNTY	TOTAL SHEETS	SHEET NO.
	2697	142 B-1-I	COOK	48	32
S-27 SHEETS			CONTRACT NO. 60D89		
FED. ROAD DIST. NO.		ILLINOIS	FED. AID PROJECT		

rdanley 2/14/2009 C:\proj\3329\3329_30\design\structural\concrete_repair\3329_30_18_Abutments-Concrete_Repairs.rvt