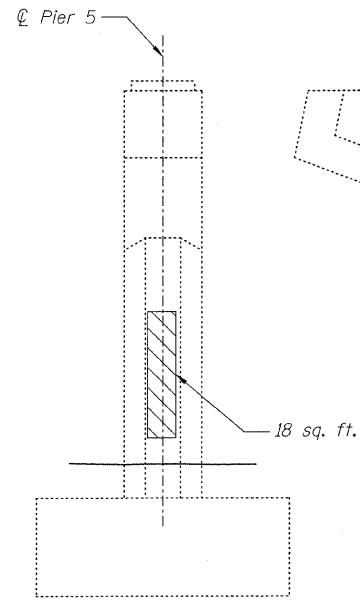
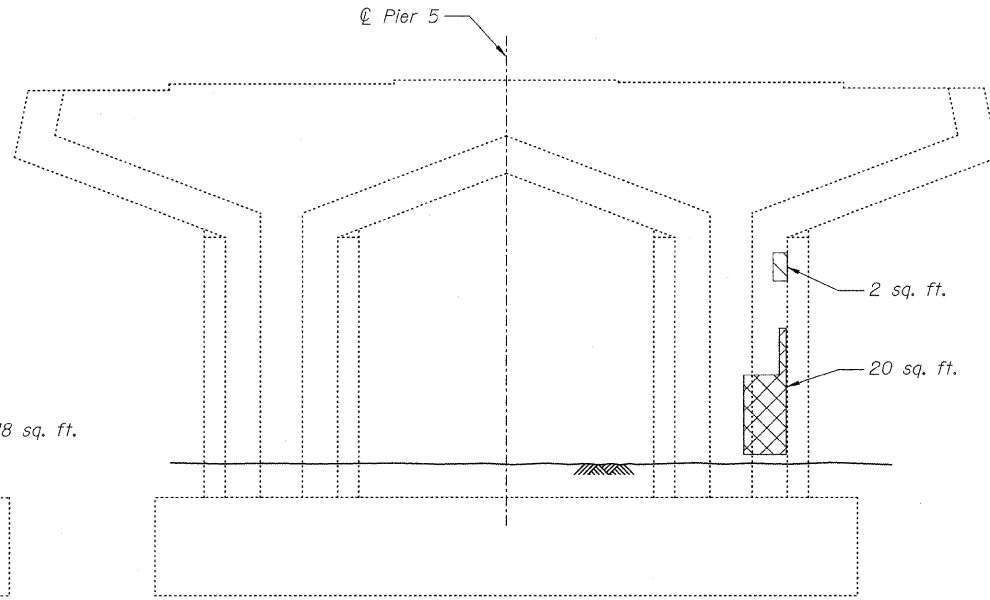


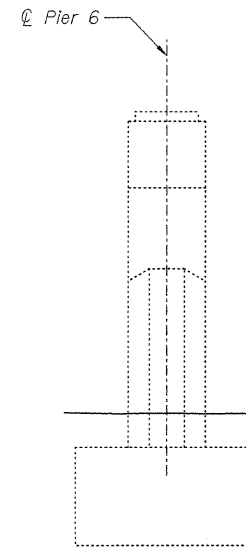
STATE OF ILLINOIS
DEPARTMENT OF TRANSPORTATION



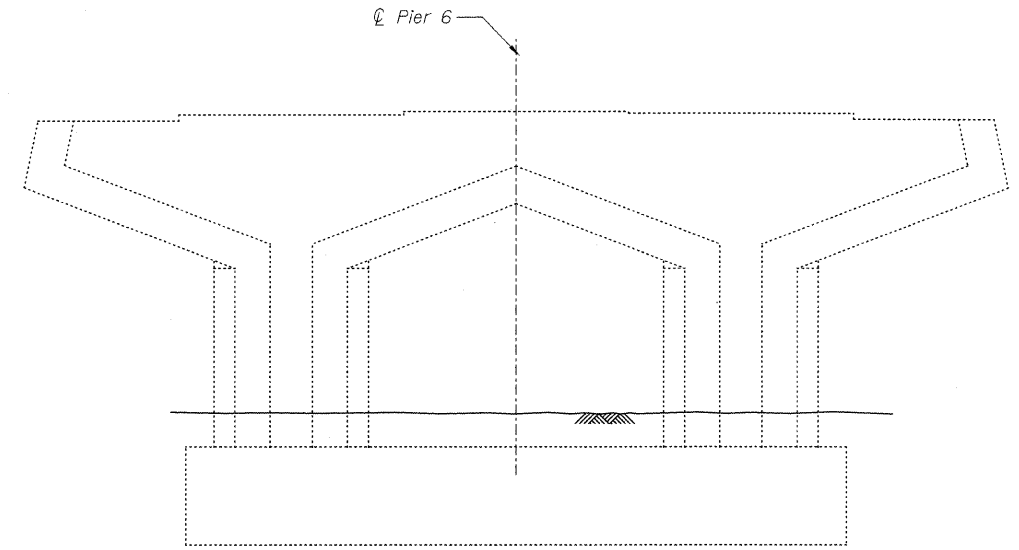
PIER 5
West Face



PIER 5
South Face



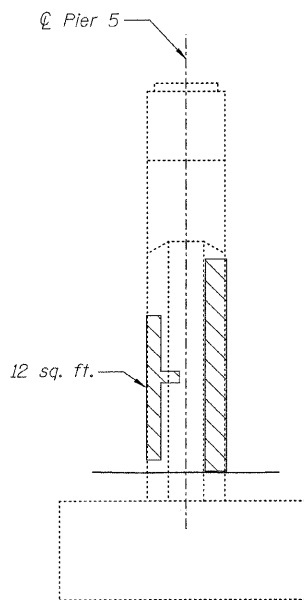
PIER 6
West Face



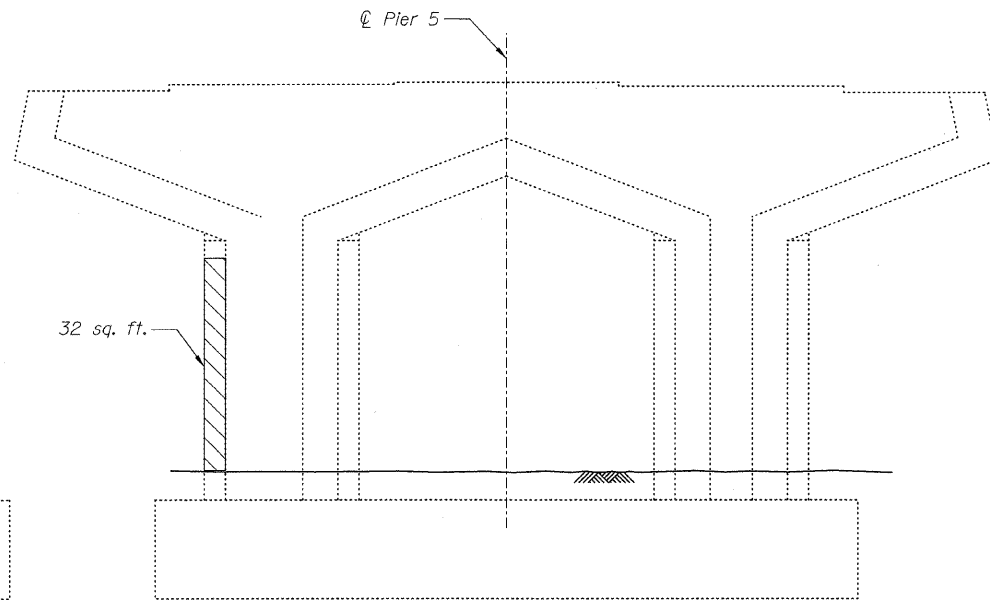
PIER 6
South Face

NOTES:

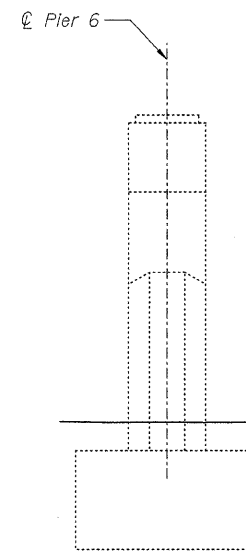
- Repairs shall include but not be limited to the areas shown. The actual areas to be repaired will be determined by engineer at the time of construction.
- The contractor is ultimately responsible for the means and methods to assure the complete stability of the structural members during construction.
- Concrete repairs on the piers should match the same finishes as the existing piers. Cost of form liner to be included with structural repair of concrete.
- Structural Repair of Concrete Quantities are 10% greater than areas shown to accommodate for degradation since last substructure survey.



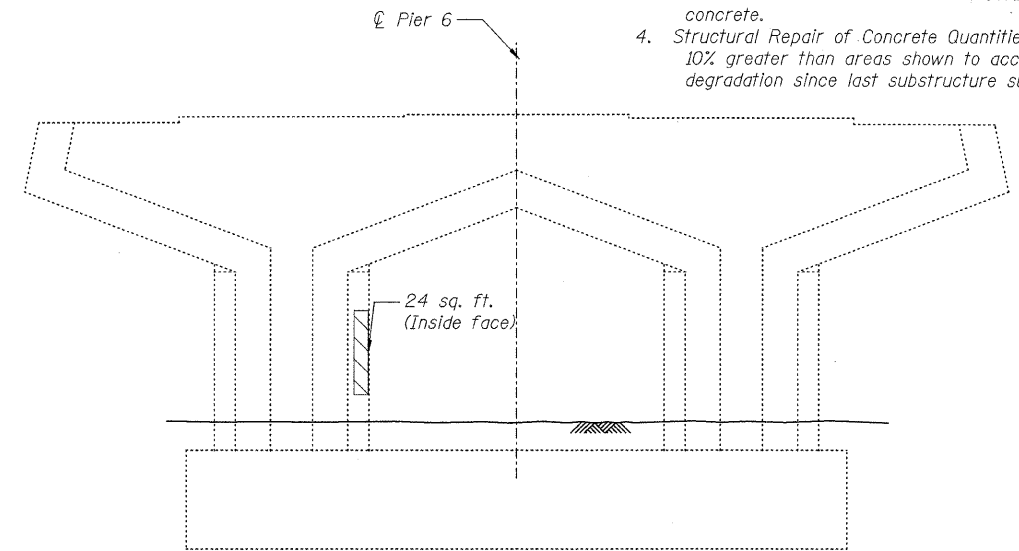
PIER 5
East Face



PIER 5
North Face



PIER 6
East Face



PIER 6
North Face

LEGEND

- HL Hairline Crack (No Repairs)
- Structural Repair of Concrete (Depth Equal to or Less than 5 inches)
- Structural Repair of Concrete (Depth Greater than 5 inches)

BILL OF MATERIAL

| ITEM | UNIT | QUANTITY |
|--|---------|----------|
| Structural Repair of Concrete (Depth Equal to or Less than 5 inches) | Sq. Ft. | 96 |
| Structural Repair of Concrete (Depth Greater than 5 inches) | Sq. Ft. | 22 |

PIERS 5 & 6
S.N. 016-0540

| | |
|----------|------------|
| DESIGNED | B. Sauter |
| CHECKED | E. Mroozek |
| DRAWN | R. Danley |
| CHECKED | B. Sauter |



Ciorba Group, Inc.
CONSULTING ENGINEERS
5507 North Cumberland Avenue, Suite 402 Chicago, Illinois 60656
Tel. 773.775.4009 Fax 773.775.4014 Email chicago@ciorba.com

| | | | | | |
|-------------------------------|-------------|-----------|----------|------------------|-----------|
| SHEET NO. S-27 S-27 SHEETS | F.A.U. RTE. | SECTION | COUNTY | TOTAL SHEETS | SHEET NO. |
| | 2697 | 142 B-1-I | COOK | 48 | 35 |
| FED. ROAD DIST. NO. | | | ILLINOIS | FED. AID PROJECT | |
| CONTRACT NO. 60D89 | | | | | |

rdanley

2/4/2009

m:\pno\3329\3329_30\design\structural\load\sh\concrete_repairs\3329_30_21 Piers 5 & 6.sht