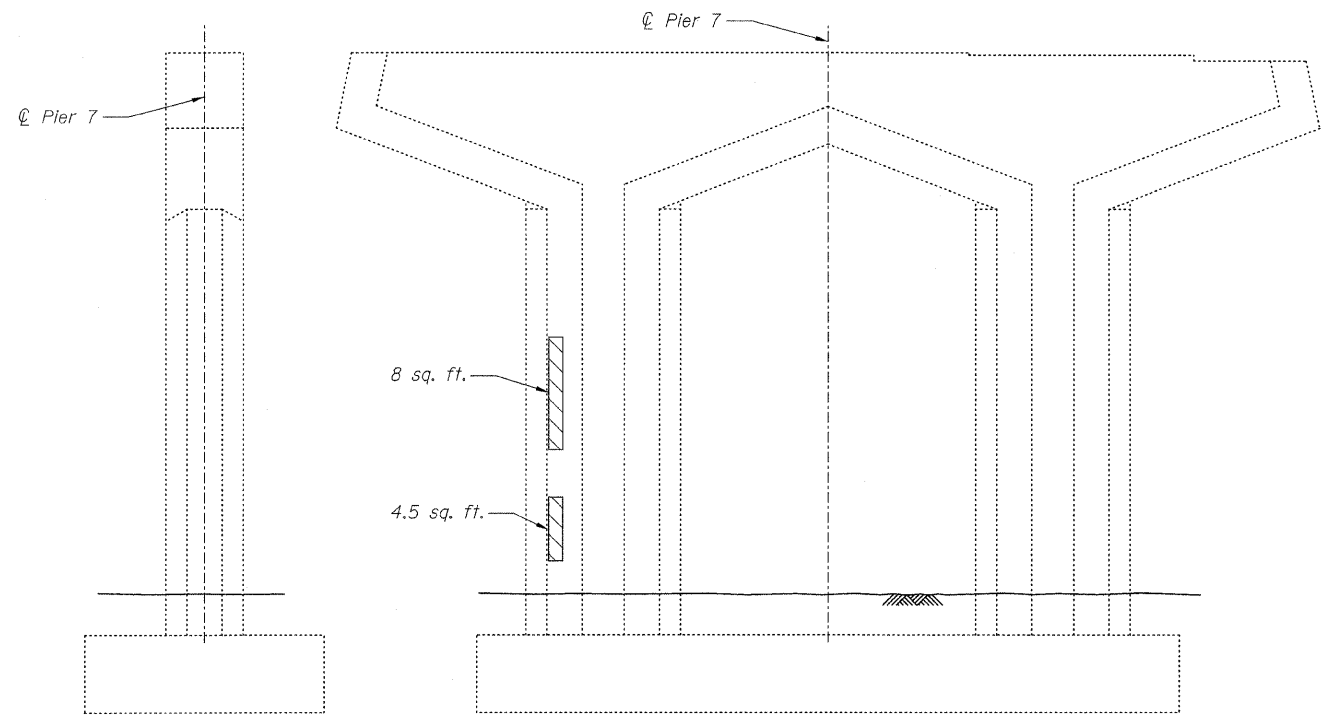
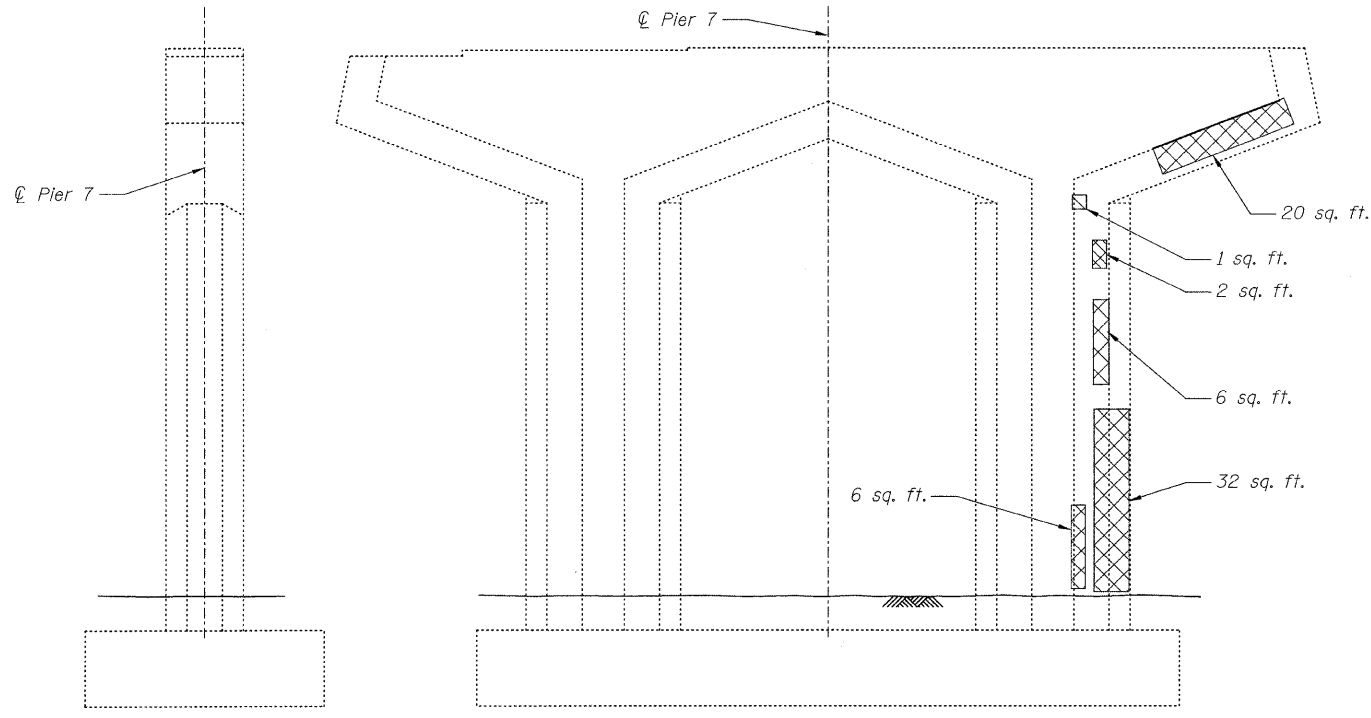


STATE OF ILLINOIS
DEPARTMENT OF TRANSPORTATION



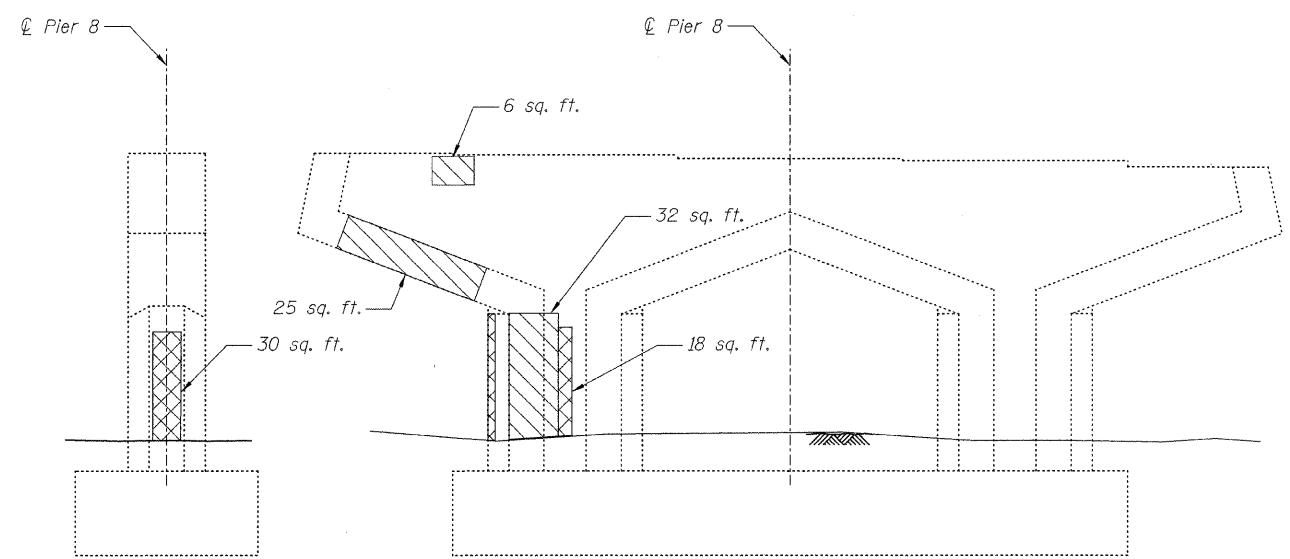
PIER 7
West Face

PIER 7
South Face



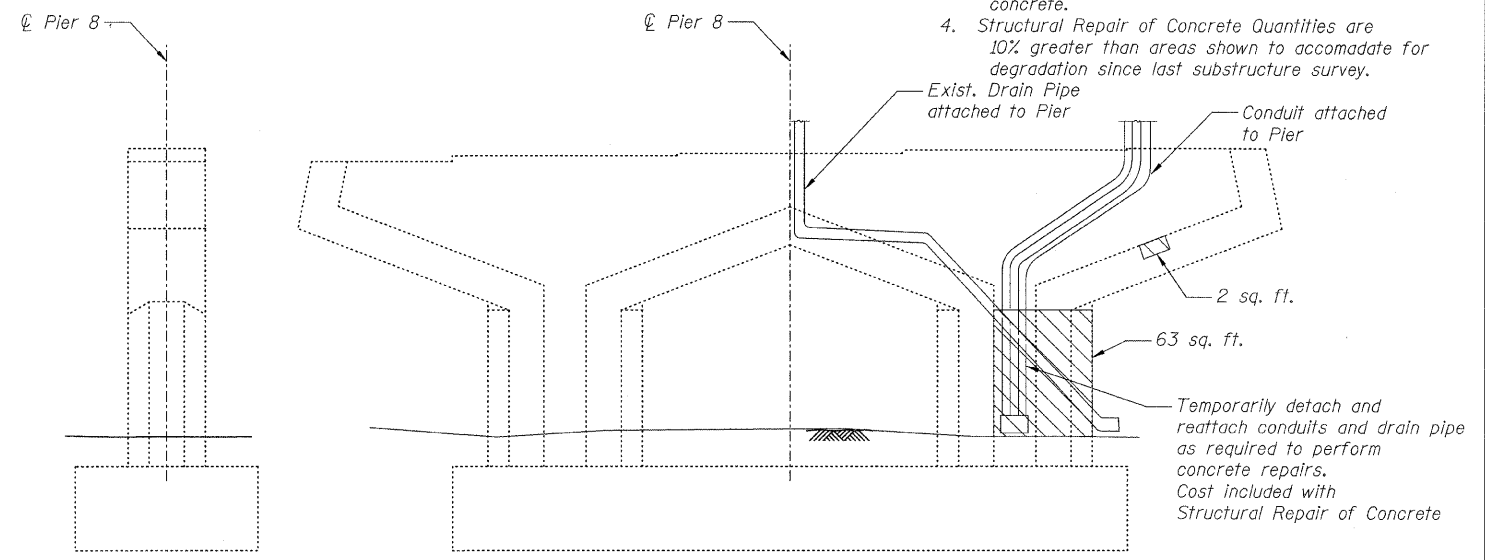
PIER 7
East Face

PIER 7
North Face



PIER 8
West Face

PIER 8
South Face



PIER 8
East Face

PIER 8
North Face

NOTES:

1. Repairs shall include but not be limited to the areas shown. The actual areas to be repaired will be determined by engineer at the time of construction.
2. The contractor is ultimately responsible for the means and methods to assure the complete stability of the structural members during construction.
3. Concrete repairs on the piers should match the same finishes as the existing piers. Cost of form liner to be included with structural repair of concrete.
4. Structural Repair of Concrete Quantities are 10% greater than areas shown to accommodate for degradation since last substructure survey.

Temporarily detach and reattach conduits and drain pipe as required to perform concrete repairs. Cost included with Structural Repair of Concrete

LEGEND

- HL Hairline Crack (No Repairs)
- Structural Repair of Concrete (Depth Equal to or Less than 5 inches)
- Structural Repair of Concrete (Depth Greater than 5 inches)

BILL OF MATERIAL

ITEM	UNIT	QUANTITY
Structural Repair of Concrete (Depth Equal to or Less than 5 inches)	Sq. Ft.	156
Structural Repair of Concrete (Depth Greater than 5 inches)	Sq. Ft.	126

PIERS 7 & 8
S.N. 016-0540

DESIGNED	B. Sauter
CHECKED	E. Mroczek
DRAWN	R. Danley
CHECKED	B. Sauter

Ciorba Group, Inc.
CONSULTING ENGINEERS
5507 North Cumberland Avenue, Suite 402 Chicago, Illinois 60656
Tel. 773.775.4009 Fax 773.775.4014 Email chicago@ciorba.com

SHEET NO. S-22 S-27 SHEETS	F.A.U. RTE. 2697	SECTION 142 B-1-I	COUNTY COOK	TOTAL SHEETS 48	SHEET NO. 36
	CONTRACT NO. 60D89			ILLINOIS FED. AID PROJECT	

2/4/2009 rdanley m:\pne\329\329_30\design\structural\ced\h\h\concrete_repairs\329_30_22_Piers 7 & 8.sht