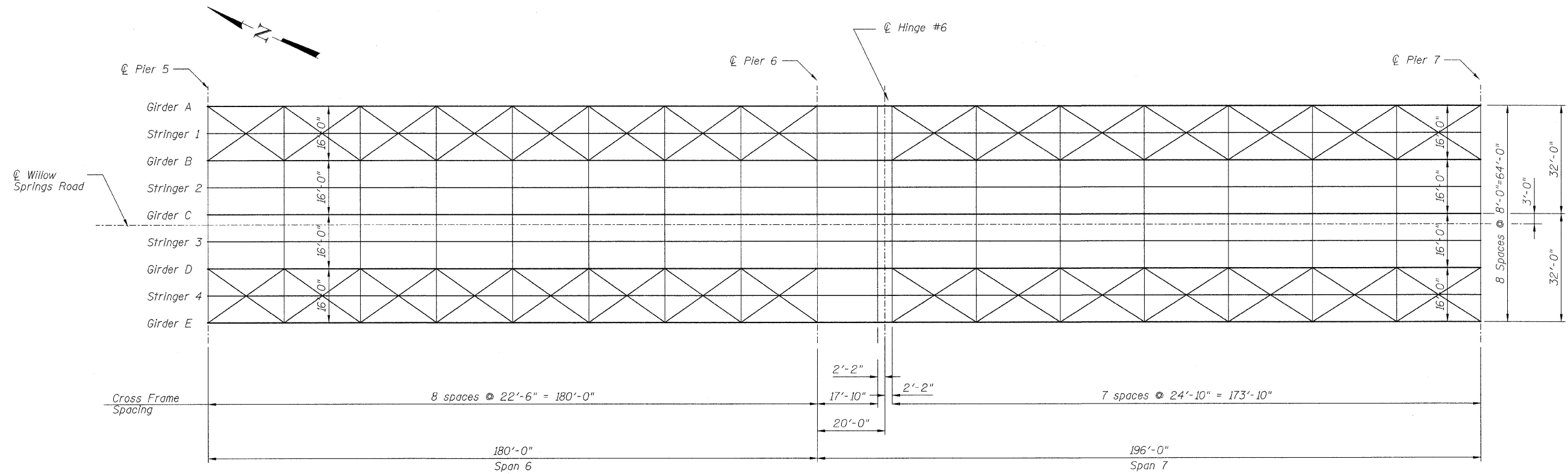
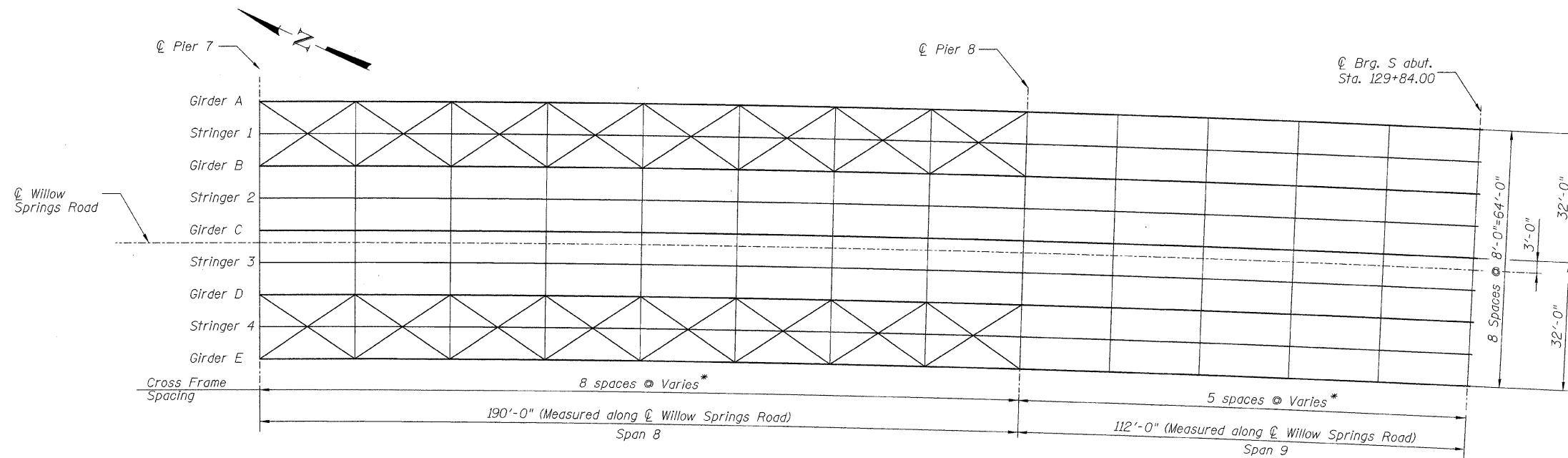


STATE OF ILLINOIS
DEPARTMENT OF TRANSPORTATION



FRAMING PLAN



FRAMING PLAN

* Cross Frame Spacing varies
from 23'-7⁵/₈" to 23'-10⁵/₈" in Span 8
from 22'-3¹/₁₆" to 22'-6⁷/₁₆" in Span 9

FOR INFORMATION ONLY

EXISTING FRAMING PLAN II
S.N. 016-0540

DESIGNED	B. Sauter
CHECKED	E. Mroczek
DRAWN	R. Danley
CHECKED	B. Sauter



Giorba Group, Inc.
CONSULTING ENGINEERS

5507 North Cumberland Avenue, Suite 402 Chicago, Illinois 60656
Tel. 773.775.4009 Fax 773.775.4014 Email chicago@giorba.com

SHEET NO. S-26 S-27 SHEETS	F.A.U. RTE. 2697	SECTION 142 B-1-I	COUNTY COOK	TOTAL SHEETS 48	SHEET NO. 40
	CONTRACT NO. 60D89			ILLINOIS FED. AID PROJECT	

rdanley 2/4/2009 n:\proj\3329\3329_30\design\structural\concrete_repairs\3329_30_26 Framing Plan_2.sht