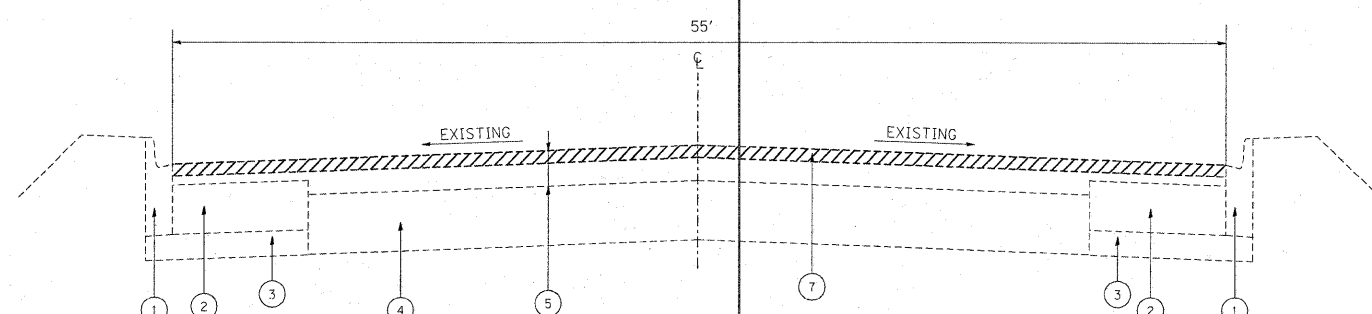
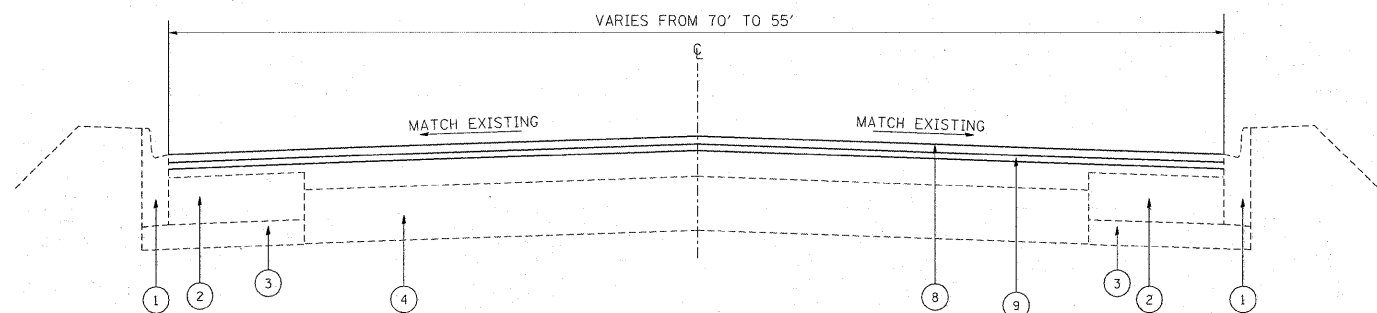


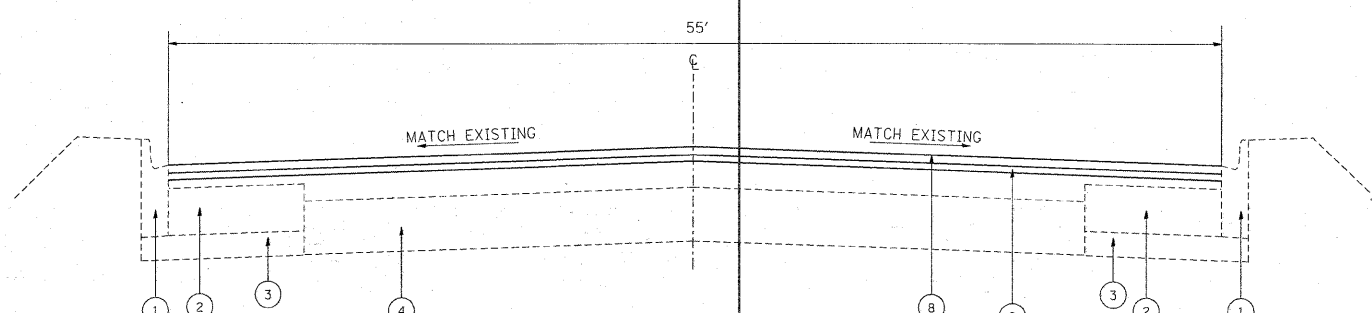
EXISTING TYPICAL SECTION
STA. 27+77 TO STA. 31+39



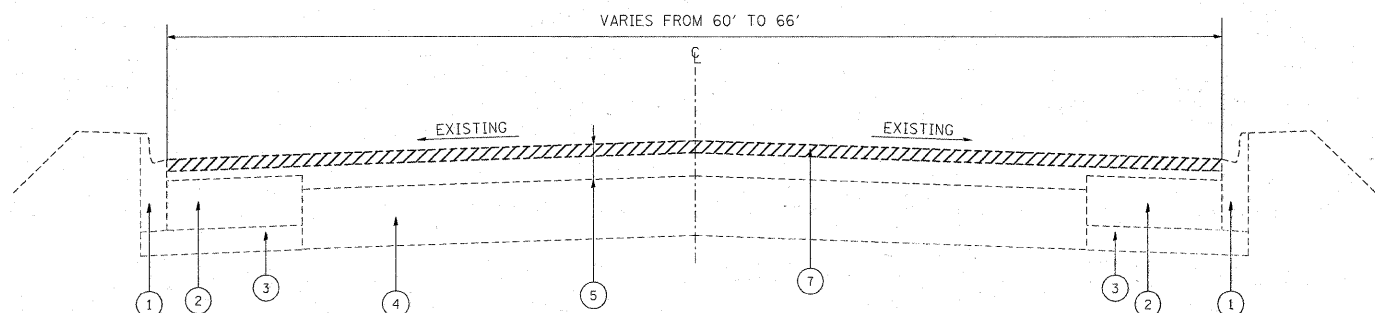
EXISTING TYPICAL SECTION
STA. 31+39 TO STA. 51+74
STA. 52+04 TO STA. 54+73
STA. 91+12 TO STA. 95+18



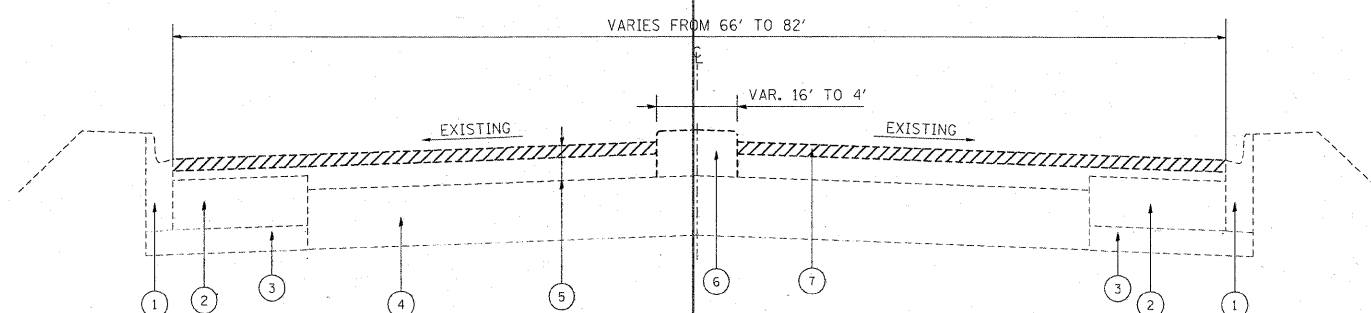
PROPOSED TYPICAL SECTION
STA. 27+77 TO STA. 31+39



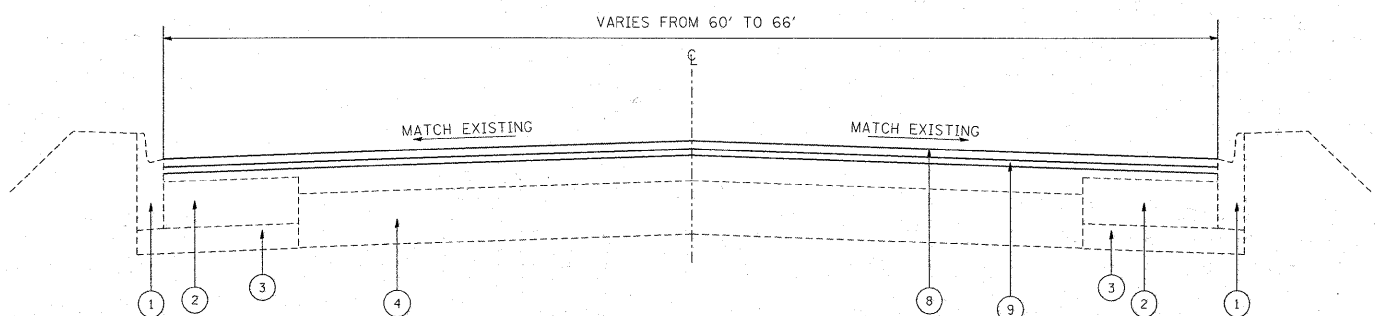
PROPOSED TYPICAL SECTION
STA. 31+39 TO STA. 51+74
STA. 52+04 TO STA. 54+73
STA. 91+12 TO STA. 95+18



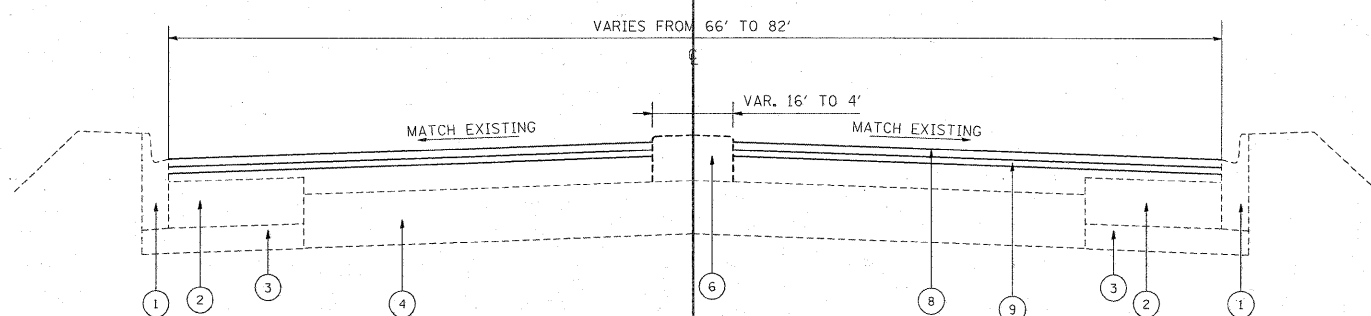
EXISTING TYPICAL SECTION
STA. 54+73 TO STA. 61+46



EXISTING TYPICAL SECTION
STA. 61+46 TO STA. 66+00



PROPOSED TYPICAL SECTION
STA. 54+73 TO STA. 61+46



EXISTING TYPICAL SECTION
STA. 61+46 TO STA. 66+00

FILE NAME =	USER NAME = abreuah	DESIGNED -	REVISED -	STATE OF ILLINOIS DEPARTMENT OF TRANSPORTATION	U.S. ROUTE 12 (RAND RD.) TYPICAL SECTIONS			F.A.U. RTE.	SECTION	COUNTY	TOTAL SHEETS	SHEET NO.
ct:\pw_work\p\dot\abreuah\dms89779\DI1194-Design.dgn		DRAWN -	REVISED -		SCALE: NTS	SHEET NO. OF SHEETS	STA. X TO STA. X	3523	2008-021 RS	COOK	30	6
		CHECKED -	REVISED -					CONTRACT NO. 60E51				
		DATE -	REVISED -					FED. ROAD DIST. NO. 1 ILLINOIS FED. AID PROJECT				