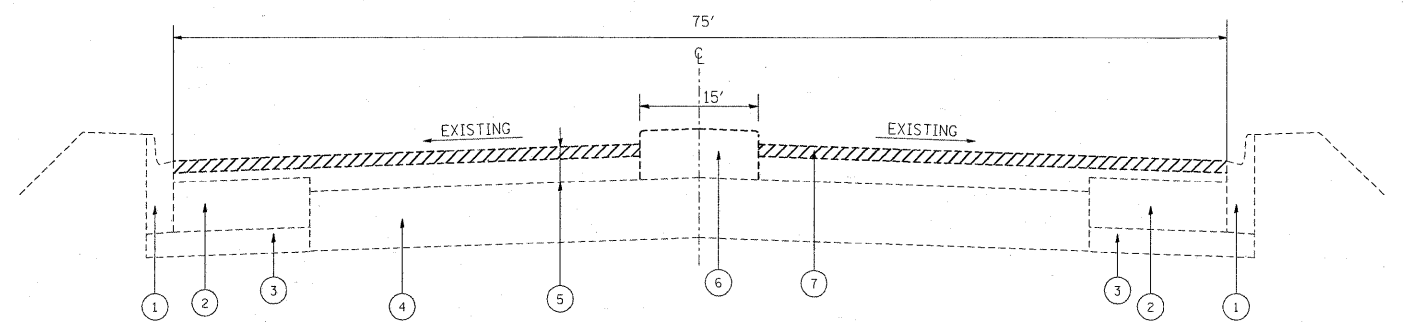
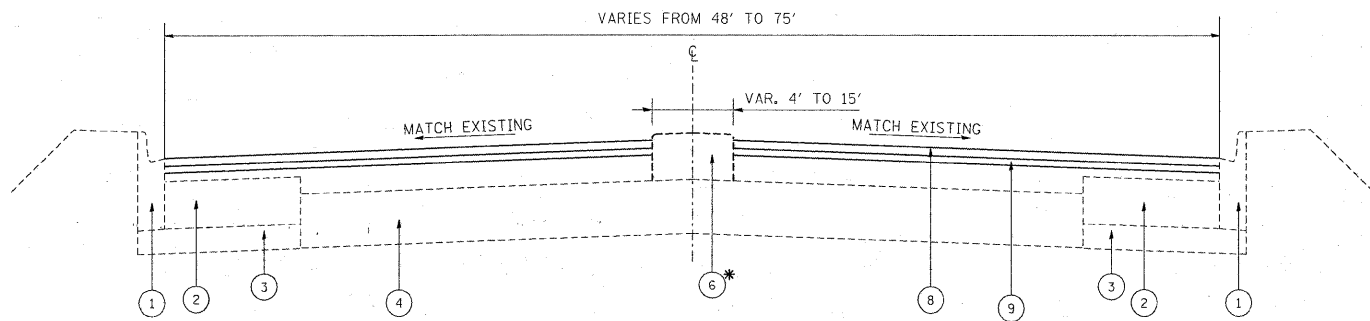


EXISTING TYPICAL SECTION
STA. 106+61 TO STA. 110+35

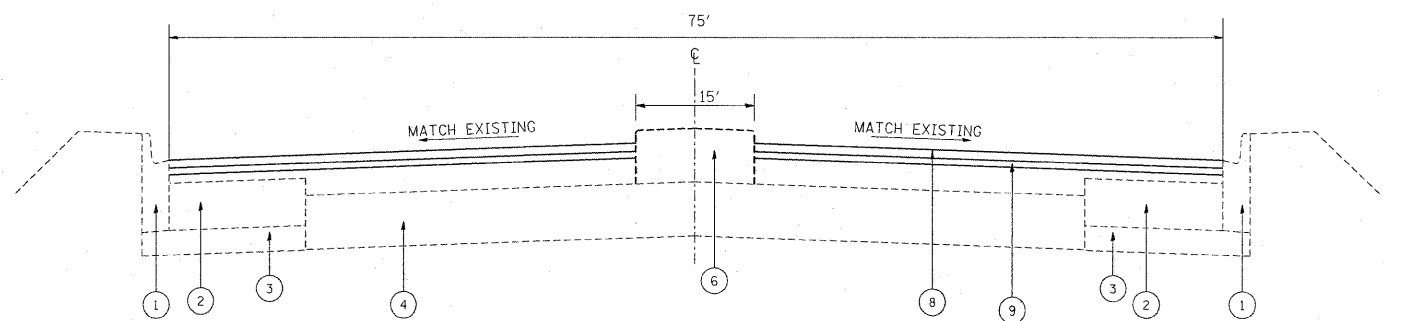
*PCC MEDIAN ONLY BETWEEN
STA. 107+40 AND STA. 110+35



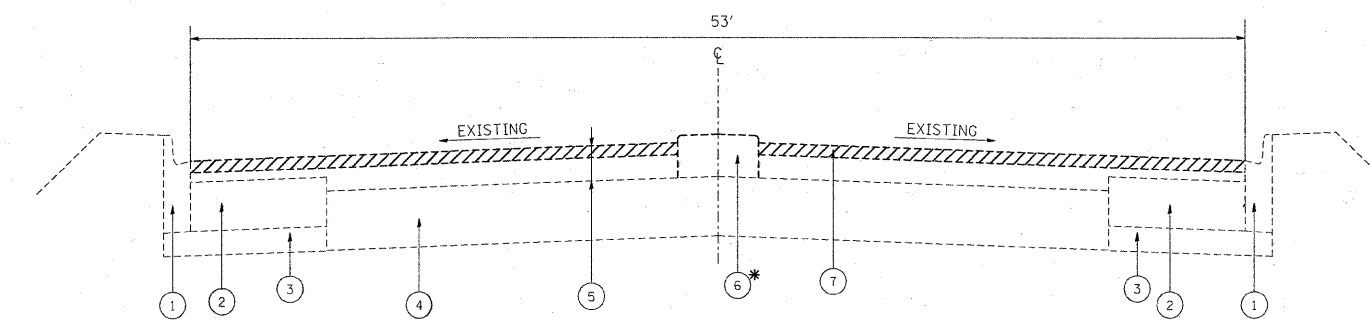
EXISTING TYPICAL SECTION
STA. 110+35 TO STA. 114+32



PROPOSED TYPICAL SECTION
STA. 106+61 TO STA. 110+35

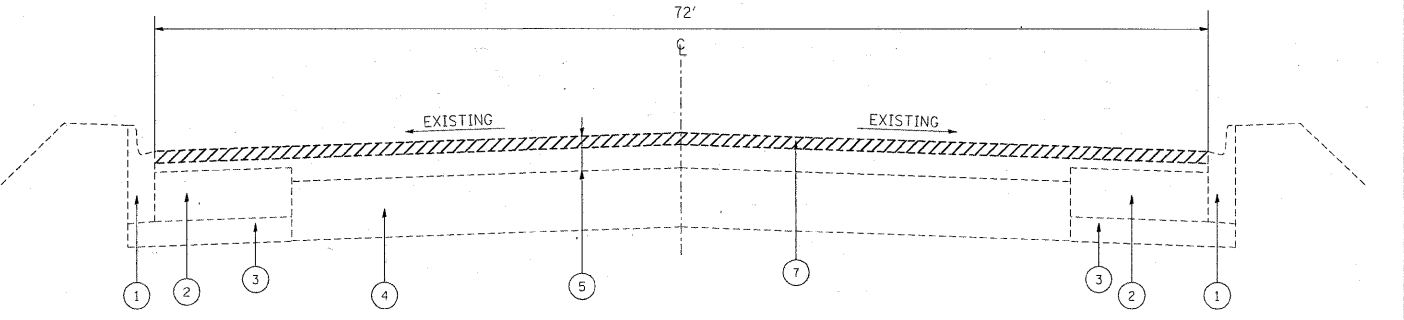


PROPOSED TYPICAL SECTION
STA. 110+35 TO STA. 114+32

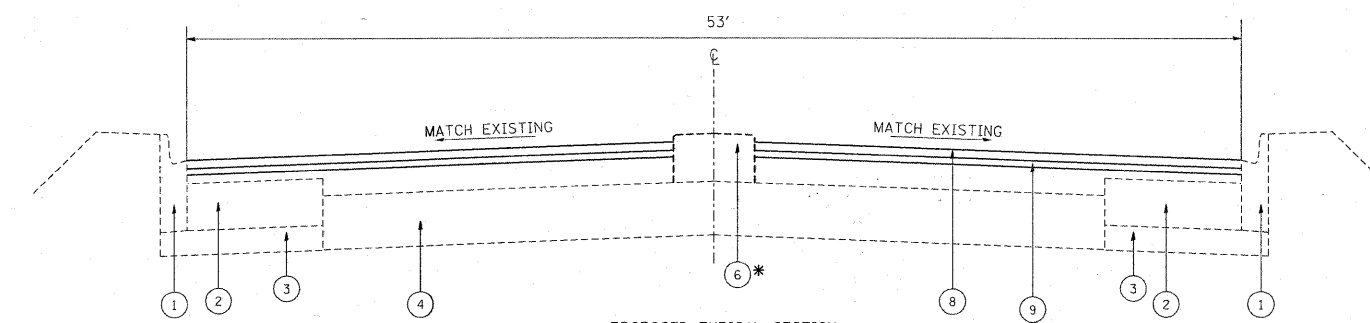


EXISTING TYPICAL SECTION
STA. 124+95 TO STA. 131+65

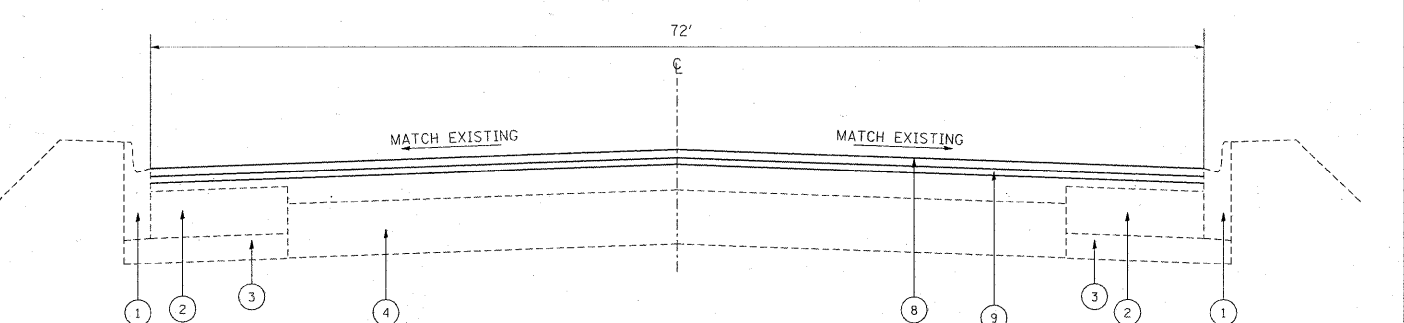
*CORRUGATED MEDIAN ENDS AT STA. 129+60
NOTE: MEDIAN REPAIR AT LOCATIONS TO BE DETERMINED
BY ENGINEER BETWEEN STA. 115+00 TO STA. 125+00



EXISTING TYPICAL SECTION
STA. 133+03 TO STA. 134+32



PROPOSED TYPICAL SECTION
STA. 124+95 TO STA. 131+65*



PROPOSED TYPICAL SECTION
STA. 133+03 TO STA. 134+32

FILE NAME =
c:\pw_work\pwtidot\abreuh\dms89779\011194-Design.dgn

USER NAME = abreuh
PLDT SCALE = 50,0000' / IN.
PLDT DATE = 1/26/2009

DESIGNED -
DRAWN -
CHECKED -
DATE -

REVISED -
REVISED -
REVISED -
REVISED -

STATE OF ILLINOIS
DEPARTMENT OF TRANSPORTATION

U.S. ROUTE 12 (RAND RD.)
TYPICAL SECTIONS

SCALE: NTS SHEET NO. OF SHEETS STA. X TO STA. X

F.A.U. RTE.	SECTION	COUNTY	TOTAL SHEETS	SHEET NO.
3523	2008-021 RS	COOK	30	9
CONTRACT NO. 60E51				
FED. ROAD DIST. NO. 1 ILLINOIS FED. AID PROJECT				