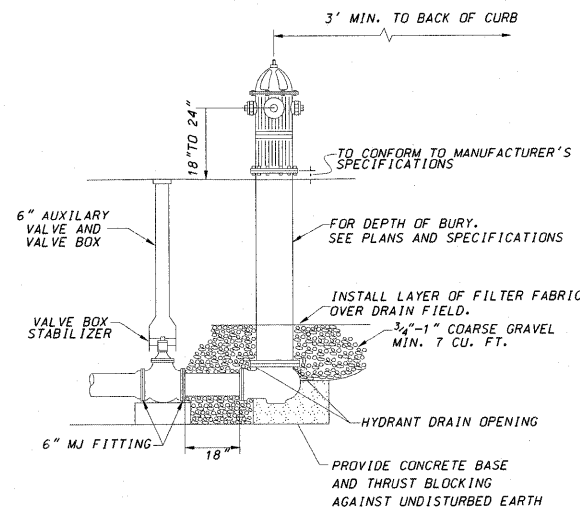


TYPICAL HYDRANT INSTALLATION

REVISIONS	
DATE	REVISION

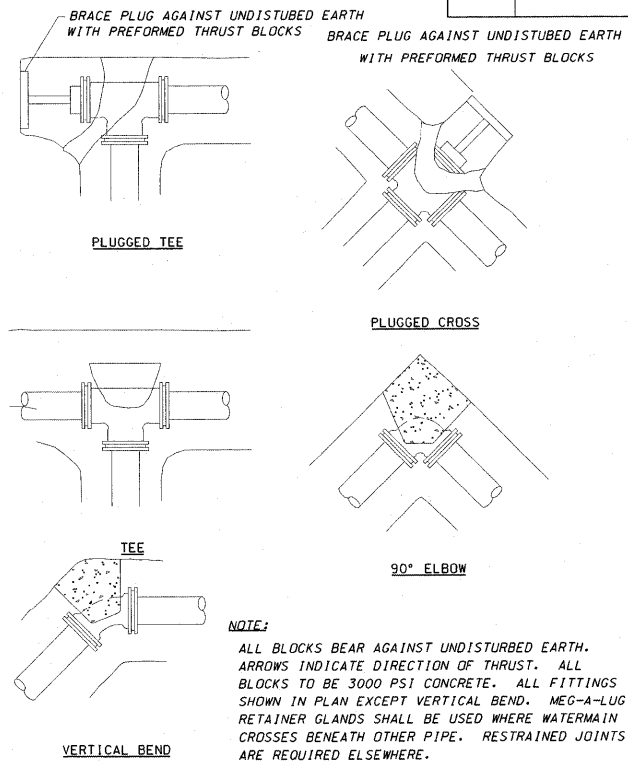


NOTE: CONCRETE BASE AND BLOCKING MATERIAL SHALL NOT BLOCK NOR OBSTRUCT HYDRANT DRAIN AS SHOWN IN AWWA MANUAL M 17

PLAINFIELD WATER STANDARDS 3020

THRUST BLOCK INSTALLATIONS

REVISIONS	
DATE	REVISION

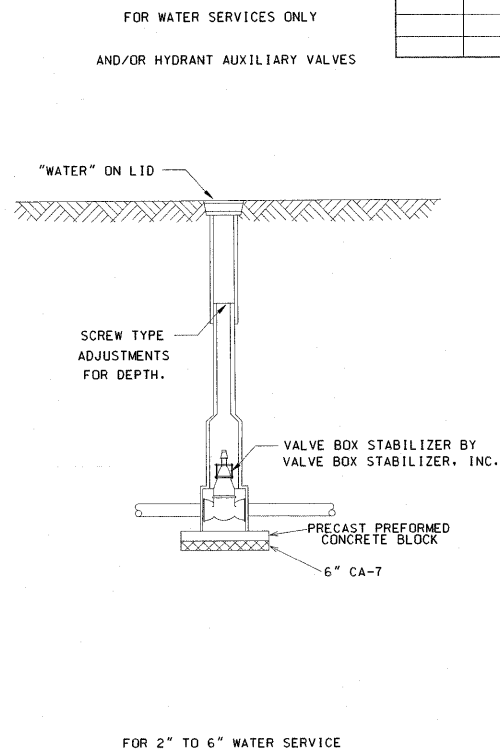


NOTE: ALL BLOCKS BEAR AGAINST UNDISTURBED EARTH. ARROWS INDICATE DIRECTION OF THRUST. ALL BLOCKS TO BE 3000 PSI CONCRETE. ALL FITTINGS SHOWN IN PLAN EXCEPT VERTICAL BEND. MEG-A-LUG RETAINER GLANDS SHALL BE USED WHERE WATERMAIN CROSSES BENEATH OTHER PIPE. RESTRAINED JOINTS ARE REQUIRED ELSEWHERE.

PLAINFIELD WATER STANDARDS 3040

VALVE BOX INSTALLATION

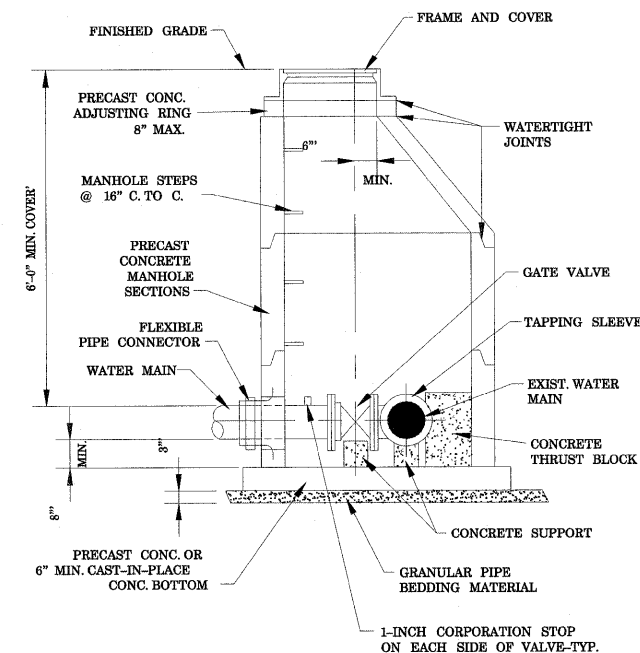
REVISIONS	
DATE	REVISION



FOR 2" TO 6" WATER SERVICE

PLAINFIELD WATER STANDARDS 3050

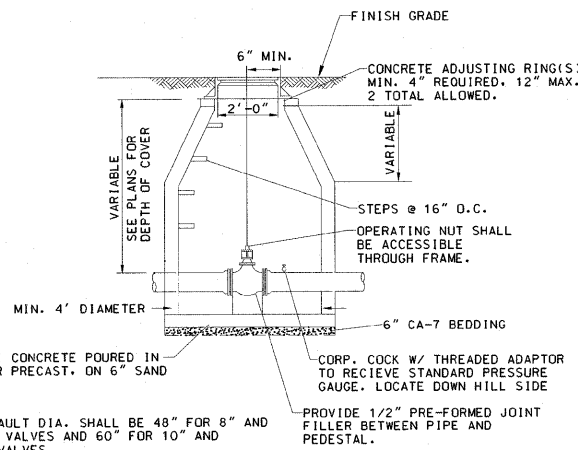
- NOTES:
- ECCENTRIC CONE REQUIRED
 - USE 4'-0" DIAMETER FOR WATER MAIN SIZES 4" THRU 8", USE 5'-0" DIAMETER FOR WATER MAIN SIZES 10" THRU 14", USE 6'-0" DIAMETER (OR LARGER AS INDICATED ON THE DRAWINGS) FOR WATER MAIN SIZES 16" OR GREATER.



PLAINFIELD WATER STANDARDS 3050
PRESSURE CONNECTION WATER VALVE VAULT DETAIL
NO SCALE

VALVE VAULT FOR WATERMAIN VALVES 8" AND LARGER

REVISIONS	
DATE	REVISION

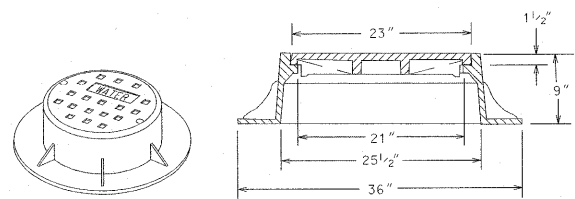


3500 PSI CONCRETE POURED IN PLACE OR PRECAST. ON 6" SAND CUSHION.
NOTE: VALVE VAULT DIA. SHALL BE 48" FOR 8" AND SMALLER VALVES AND 60" FOR 10" AND LARGER VALVES.
CORP. COCK W/ THREADED ADAPTOR TO RECEIVE STANDARD PRESSURE GAUGE. LOCATE DOWN HILL SIDE
PROVIDE 1/2" PRE-FORMED JOINT FILLER BETWEEN PIPE AND PEDESTAL.

PLAINFIELD WATER STANDARDS 3060

VALVE VAULT FRAME AND COVER

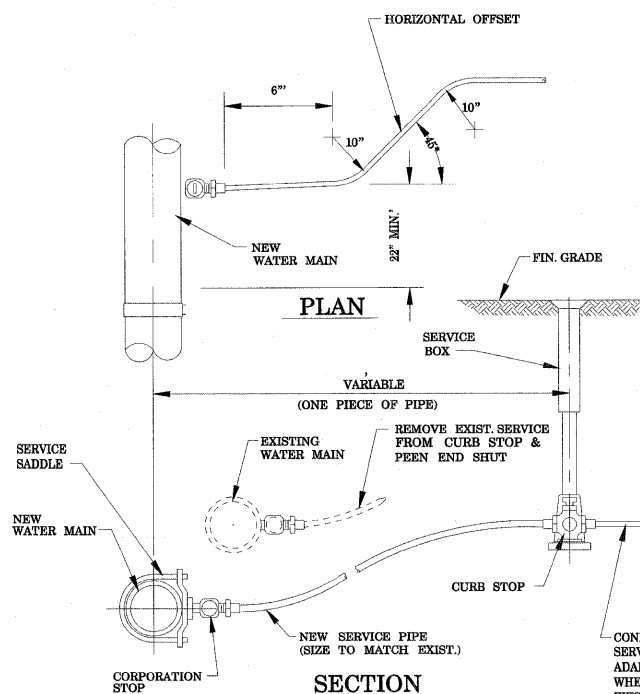
REVISIONS	
DATE	REVISION



- THE FRAME AND LID SHALL BE EJIW 1051 FRAME OR NEENAH R-1712 FRAME WITH HEAVY DUTY GASKETED, SELF SEALING, CLOSED LID WITH CONCEALED PICKHOLES AND WATER CAST ON THE LID.
- THE FRAME AND LID SHALL BE SET ON A MASTIC BED WITH ALL GAPS TUCKPOINTED.

** ALL DIMENSIONS ARE FOR THE NEENAH MODELS. EJIW DIMENSIONS MAY VARY.

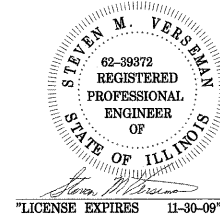
PLAINFIELD WATER STANDARDS 3070



EXISTING WATER SERVICE RECONNECTION DETAIL
NO SCALE

SERVICE PIPE	CORP. STOP	CURB STOP	SERVICE BOX
1"	1"	1"	2 1/2"
1 1/2"	1 1/2" X 1 1/2"	1 1/2"	2 1/2"
2"	1 1/2" X 2"	2"	2 1/2"

CONNECT TO EXISTING SERVICE. PROVIDE ADAPTORS AS REQUIRED. WHERE METER PIT EXISTS, CONNECT TO CURB STOP IN METER PIT.



STATE OF ILLINOIS
DEPARTMENT OF TRANSPORTATION

DETAILS - WATER MAIN AND SERVICES

SCALE: SHEET NO. 7 OF 8 SHEETS STA. TO STA.

F.A. RTE.	SECTION	COUNTY	TOTAL SHEETS NO.	SHEET NO.
338	113 N-2	WILL	260	122
FED. ROAD DIST. NO. ILLINOIS			CONTRACT NO. 60E73	
FAP 338 (IL RTE. 59)			LICENSE EXPIRES 11-30-08	

FILE NAME = s:\p\10\061256-r451-water-v1-design-north-section.dgn\clearfield\11.1.09.10\watermain_ror-d\3063293.dwt.dgn