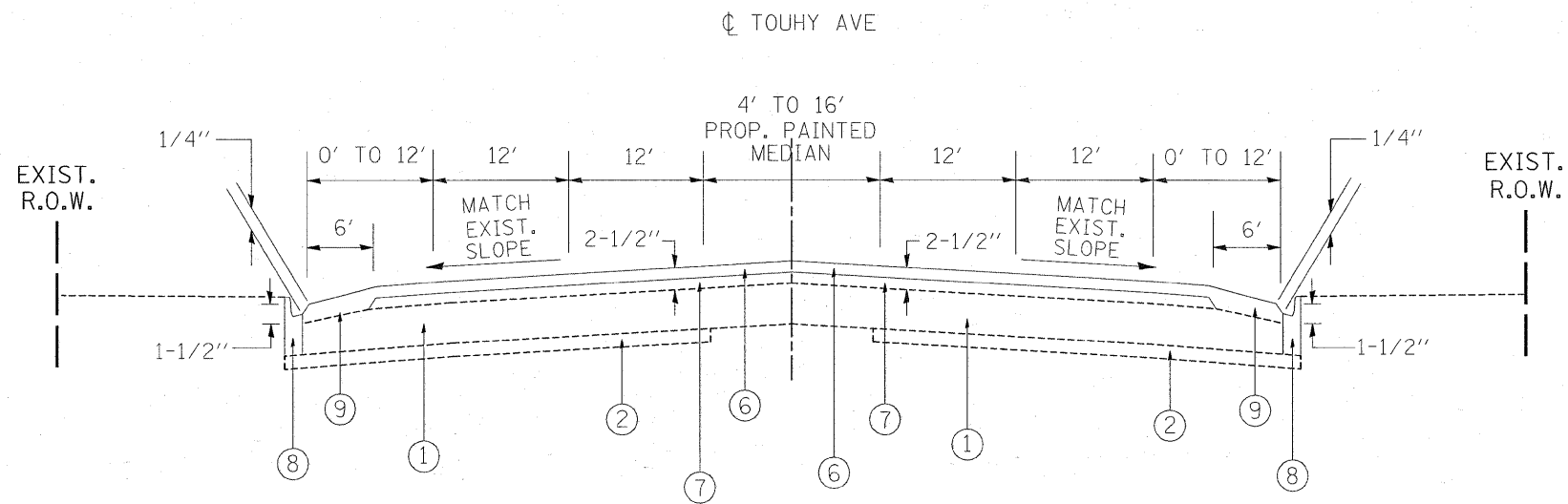


EXISTING TYPICAL SECTION  
TOUHY AVE.  
STATION:  
82+72 TO STA. 95+00



PROPOSED TYPICAL SECTION  
TOUHY AVE.  
STATION:  
82+72 TO STA. 95+00

**LEGEND**

- ① EXISTING P.C.C. PAVEMENT, 9"( $\pm$ )
- ② EXISTING SUBBASE GRANULAR MATERIAL TYPE "A" 6"
- ③ EXISTING CURB & GUTTER, B-6.12 (MOD)
- ④ PROP. CONC. MEDIAN REMOVAL PARTIAL DEPTH
- ⑤ PROP. P.C.C. SURFACE REMOVAL (VAR. DEPTH)
- ⑥ PROP. POLYMERIZED HOT-MIX ASPHALT SURFACE COURSE, MIX "F", N90, 1 3/4"
- ⑦ PROP. POLYMERIZED LEVELING BINDER (MM), IL-4.75, N50, 3/4"
- ⑧ PROP. CURB AND GUTTER REMOVAL AND REPLACEMENT (LOCATIONS TO BE DETERMINED BY THE RESIDENT ENGINEER)
- ⑨ PROP. POLYMERIZED HOT-MIX ASPHALT SURFACE COURSE, MIX "F", N90, 1 3/4"

**NOTES:**

- 1. SEE ROADWAY AND PAVEMENT MARKING PLAN SHEETS FOR LOCATIONS OF LEFT TURN AND RIGHT TURN LANES, BARRIER MEDIAN AND CORRUGATED MEDIANS

FILE NAME =	USER NAME = kellers	DESIGNED -	REVISED -	<b>STATE OF ILLINOIS DEPARTMENT OF TRANSPORTATION</b>	<b>TOUHY AVE. (N.W. HWY TO CENTRAL AVE.) EXISTING &amp; PROPOSED TYPICAL CROSS SECTIONS</b>		F.A.P. RTE. 341.375	SECTION 2326.IRS-1	COUNTY COOK	TOTAL SHEETS 30	SHEET NO. 6	
ct:\pw_work\VPWIDOT\KELLERS\dms89422\010	909-sht-plan.dgn	DRAWN -	REVISED -		SCALE: NONE	SHEET NO. OF SHEETS	STA. TO STA.	FED. ROAD DIST. NO. 1 [ILLINOIS] FED. AID PROJECT				
		CHECKED -	REVISED -					CONTRACT NO. 60F48				
		DATE -	REVISED -									