

EXISTING TYPICAL SECTION
TOUHY AVE.

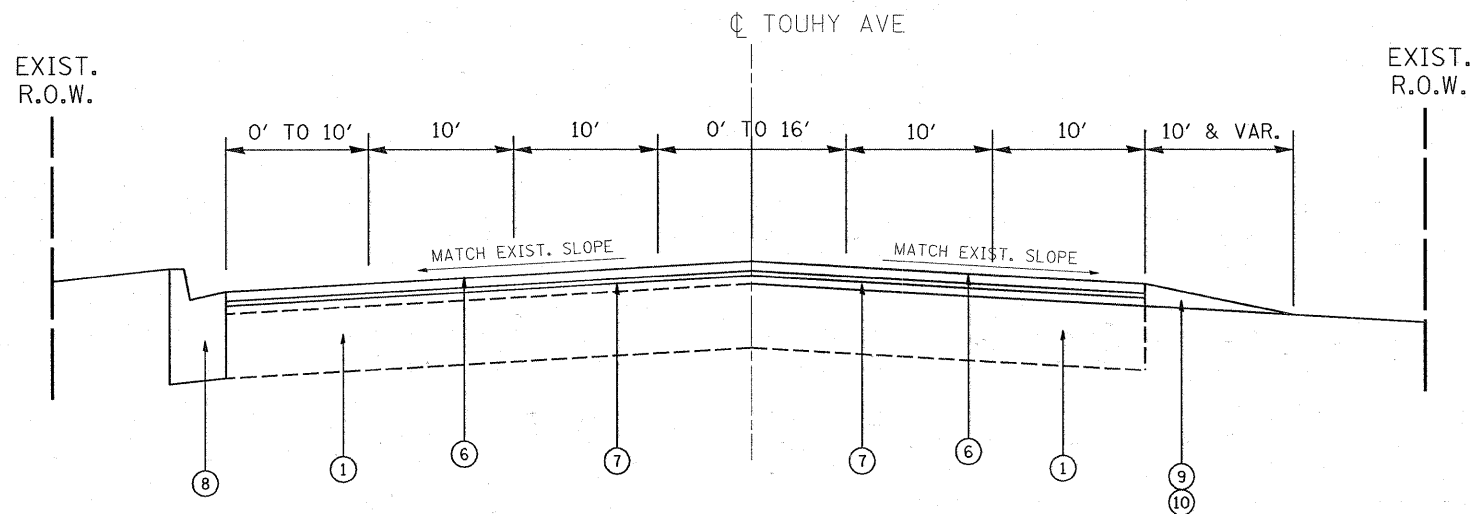
STATION:
131+00 TO 157+00

LEGEND

- ① EXISTING P.C.C. BASE COURSE, 9''(±)
- ② EXIST. HOT-MIX ASPHALT SURFACE COURSE (BEFORE MILLING), 6''(±)
- ③ EXISTING CURB & GUTTER, B-6.12 (MOD)
- ④ EXISTING AGGREGATE SHOULDER
- ⑤ PROP. HOT-MIX ASPHALT SURFACE REMOVAL - 2 1/2''
(3 1/2'' OF HOT-MIX ASPHALT TO REMAIN)
- ⑥ PROP. POLYMERIZED HOT-MIX ASPHALT SURFACE COURSE, MIX "F",
N90, 1 3/4''
- ⑦ PROP. POLYMERIZED LEVELING BINDER (MM), IL-4.75, N50, 3/4''
- ⑧ PROP. CONCRETE CURB AND GUTTER REMOVAL AND REPLACEMENT
(LOCATIONS TO BE DETERMINED BY THE RESIDENT ENGINEER)
- ⑨ PROP. GRADING AND SHAPING
- ⑩ PROP. AGGREGATE SHOULDER, TYPE "B"

NOTES:

1. SEE ROADWAY AND PAVEMENT MARKING PLAN SHEETS FOR LOCATIONS OF LEFT TURN AND RIGHT TURN LANES
2. PAVEMENT PATCHING SHALL BE DONE PRIOR TO MILLING OF THE ROADWAY



PROPOSED TYPICAL SECTION
TOUHY AVE.

STATION:
131+00 TO 157+00

FILE NAME = c:\pwwork\pwwork\KELLERS\dms89422\010	USER NAME = kellers	DESIGNED -	REVISED -	STATE OF ILLINOIS DEPARTMENT OF TRANSPORTATION	TOUHY AVE. (N.W. HWY TO CENTRAL AVE.) EXISTING & PROPOSED TYPICAL CROSS SECTIONS			F.A.P. RTE. 341.375	SECTION 2326.1RS-1	COUNTY COOK	TOTAL SHEETS 30	SHEET NO. 7
	PLOT SCALE = 50.0000' / IN.	CHECKED -	REVISED -		SCALE: NONE	SHEET NO. OF SHEETS	STA. TO STA.	FED. ROAD DIST. NO. 1 ILLINOIS FED. AID PROJECT				
PLOT DATE = 2/2/2009	DATE -	REVISED -										
CONTRACT NO. 60F48												