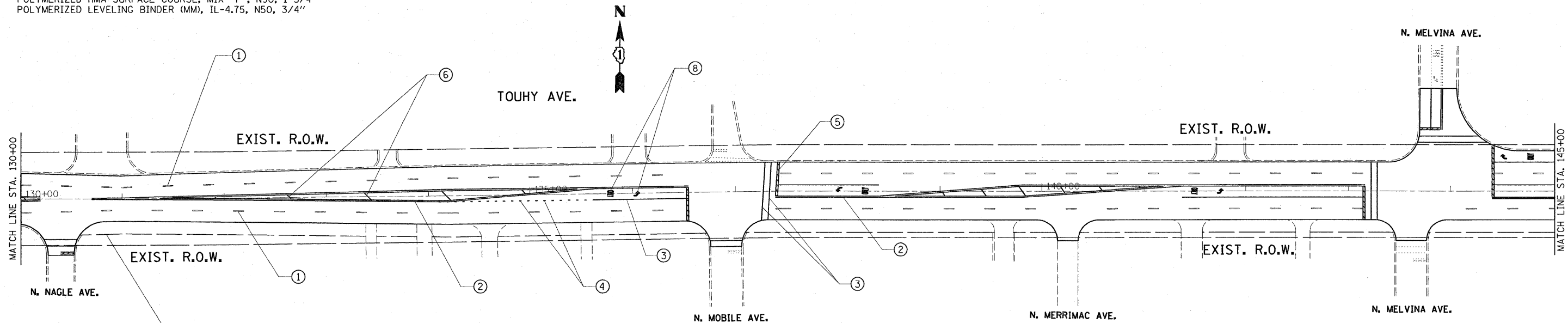


PROP. RESURFACING NOTES:

HMA SURFACE REMOVAL, 2 1/2"  
 POLYMERIZED HMA SURFACE COURSE, MIX "F", N90, 1 3/4"  
 POLYMERIZED LEVELING BINDER (MM), IL-4.75, N50, 3/4"

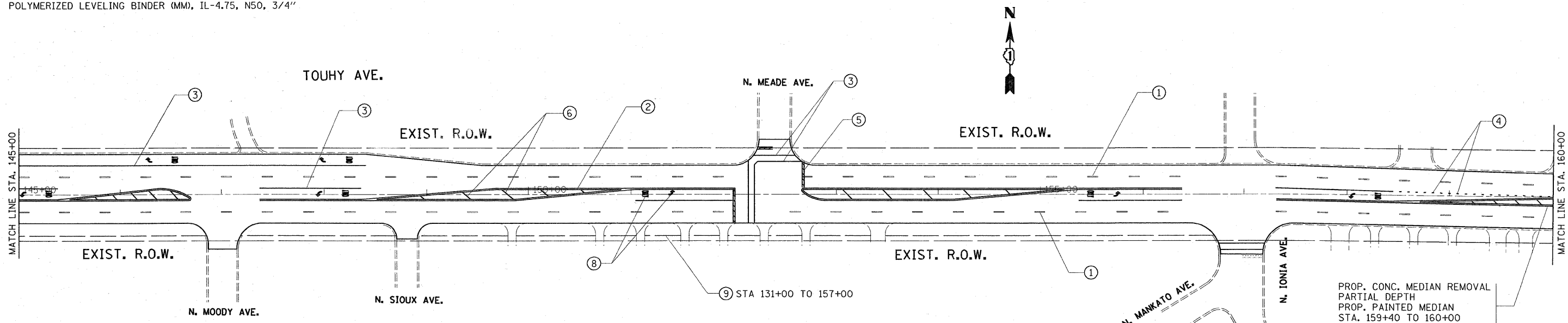


LEGEND

- ① THERMOPLASTIC PAVEMENT MARKING, 10'-30' SKIP DASH WHITE 4", (TYP.)
- ② THERMOPLASTIC PAVEMENT MARKING, DOUBLE YELLOW CENTERLINE 4", 11" C-C (TYP.)
- ③ THERMOPLASTIC PAVEMENT MARKING, SOLID WHITE 6", (TYP.)
- ④ THERMOPLASTIC PAVEMENT MARKING, 2'-6' SKIP DASH WHITE 6", (TYP.)
- ⑤ THERMOPLASTIC PAVEMENT MARKING, SOLID WHITE STOP BAR 24", (TYP.)
- ⑥ THERMOPLASTIC PAVEMENT MARKING, SOLID YELLOW LINE 12", 15' SPACING OR 5 DIAGONALS MINIMUM, (TYP.)
- ⑦ THERMOPLASTIC PAVEMENT MARKING, 10'-30' SKIP DASH YELLOW 4", (TYP.)
- ⑧ THERMOPLASTIC PAVEMENT MARKING, LETTERS & SYMBOLS, (TYP.)
- ⑨ EXIST. & PROP. GRADING & SHAPING AGG. SHLDR. WITH AGG., TYPE "B", 10'

PROP. RESURFACING NOTES:

HMA SURFACE REMOVAL, 2 1/2"  
 POLYMERIZED HMA SURFACE COURSE, MIX "F", N90, 1 3/4"  
 POLYMERIZED LEVELING BINDER (MM), IL-4.75, N50, 3/4"



LEGEND

- ① THERMOPLASTIC PAVEMENT MARKING, 10'-30' SKIP DASH WHITE 4", (TYP.)
- ② THERMOPLASTIC PAVEMENT MARKING, DOUBLE YELLOW CENTERLINE 4", 11" C-C (TYP.)
- ③ THERMOPLASTIC PAVEMENT MARKING, SOLID WHITE 6", (TYP.)
- ④ THERMOPLASTIC PAVEMENT MARKING, 2'-6' SKIP DASH WHITE 6", (TYP.)
- ⑤ THERMOPLASTIC PAVEMENT MARKING, SOLID WHITE STOP BAR 24", (TYP.)
- ⑥ THERMOPLASTIC PAVEMENT MARKING, SOLID YELLOW LINE 12", 15' SPACING OR 5 DIAGONALS MINIMUM, (TYP.)
- ⑦ THERMOPLASTIC PAVEMENT MARKING, 10'-30' SKIP DASH YELLOW 4", (TYP.)
- ⑧ THERMOPLASTIC PAVEMENT MARKING, LETTERS & SYMBOLS, (TYP.)
- ⑨ EXIST. & PROP. GRADING & SHAPING AGG. SHLDR. WITH AGG., TYPE "B", 10'

FILE NAME =  
 c:\pwork\PWIDOT\KELLERS\dms89422\010\909-shr-plan.dgn

USER NAME = kellers  
 DESIGNED -  
 DRAWN -  
 CHECKED -  
 DATE -

REVISED -  
 REVISED -  
 REVISED -  
 REVISED -

STATE OF ILLINOIS  
 DEPARTMENT OF TRANSPORTATION

TOUHY AVE. (N.W. HWY TO CENTRAL AVE.)  
 EXISTING AND PROPOSED ROADWAY AND PAVEMENT MARKING PLAN  
 SCALE: 1" = 50' SHEET NO. OF SHEETS STA. TO STA.

F.A.P. RTE. 341.375	SECTION 2326.1RS-1	COUNTY COOK	TOTAL SHEETS 30	SHEET NO. 12
FED. ROAD DIST. NO. ILLINOIS FED. AID PROJECT			CONTRACT NO. 60F48	