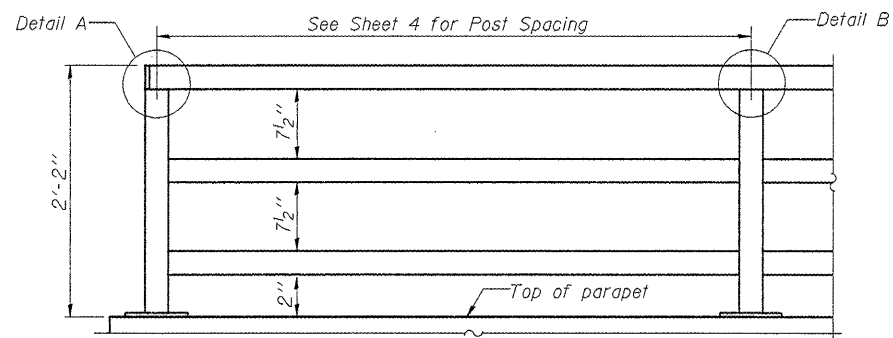
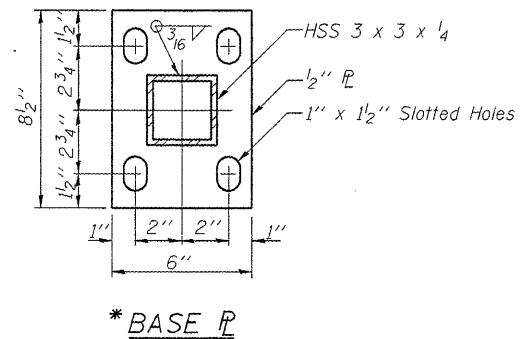


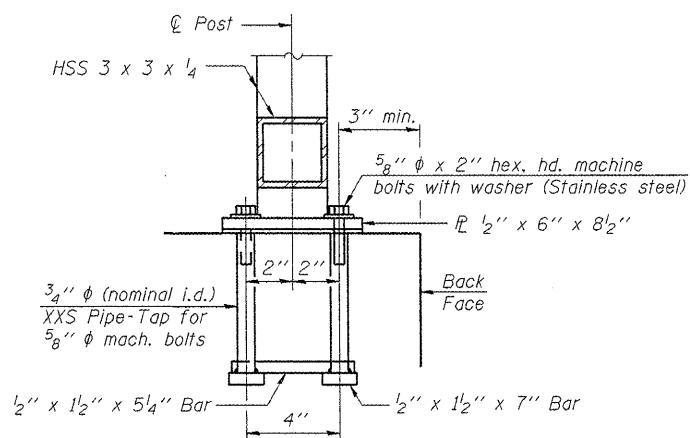
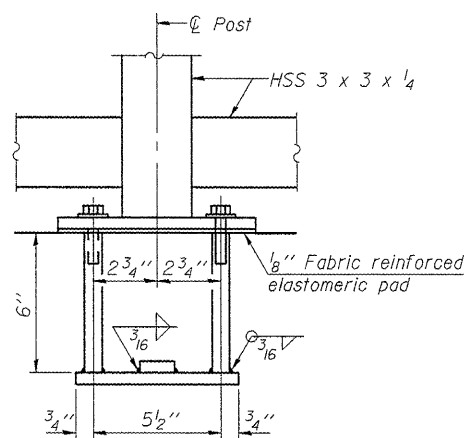
STATE OF ILLINOIS
DEPARTMENT OF TRANSPORTATION



*** PARAPET RAILING ELEVATION**
(Inside Face of Three Element Rail)

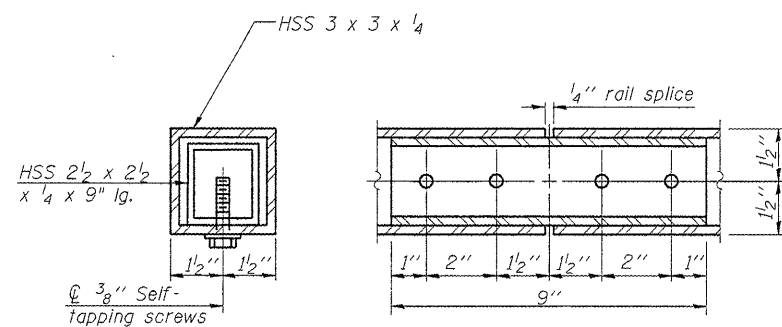


*** BASE PL**

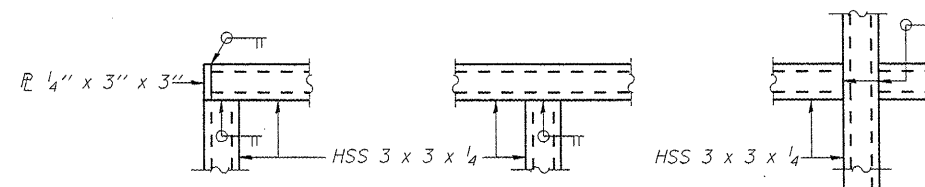


ANCHOR BOLT DETAILS

In lieu of the cast-in-place anchor device shown, the Contractor has the option of drilling and setting 5/8" ϕ anchor rods according to Article 509.06 of the Standard Specifications. Embedment shall be according to the manufacturer's specifications.



*** RAIL SPLICE**



***DETAIL A**

***DETAIL B**

***DETAIL C**

BILL OF MATERIAL

Item	Unit	Quantity
Removing and Re-Erecting Existing Railing	Foot	66.5

DESIGNED -	BPS
CHECKED -	GSP
DRAWN -	BPS/MJB
CHECKED -	GSP

**PARAPET RAILING
STRUCTURE NO. 016-2529**

SHEET NO. 9 15 SHEETS	F.A.P RTE.	SECTION	COUNTY	TOTAL SHEETS	SHEET NO.
	305	1415 B	COOK	75	32
FED. ROAD DIST. NO. 7			ILLINOIS FED. AID PROJECT		
				CONTRACT NO. 60F60	

*FOR INFORMATION ONLY

