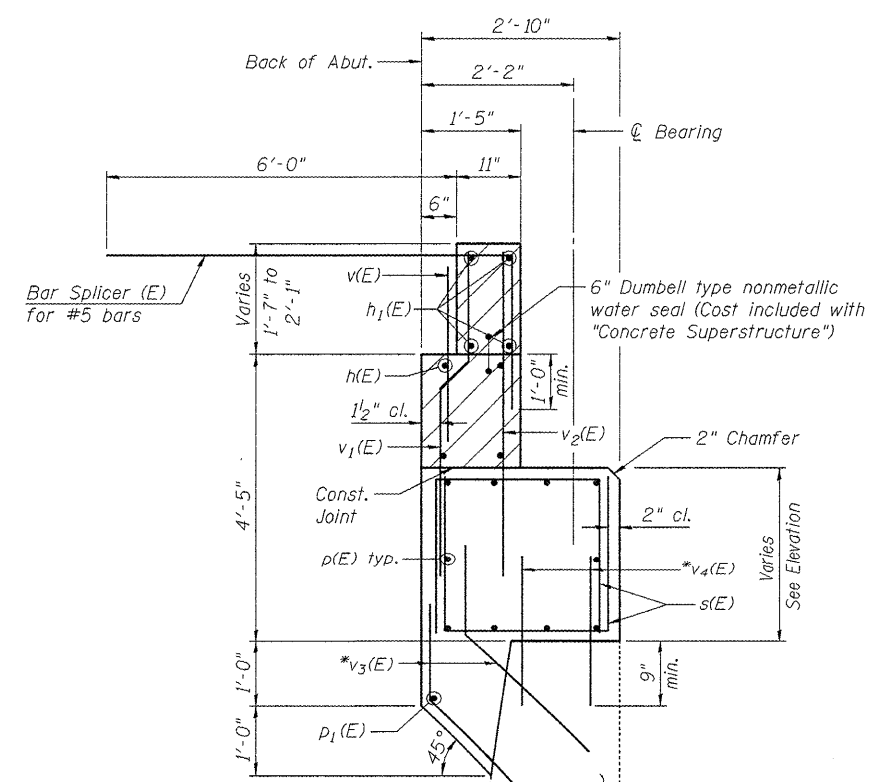


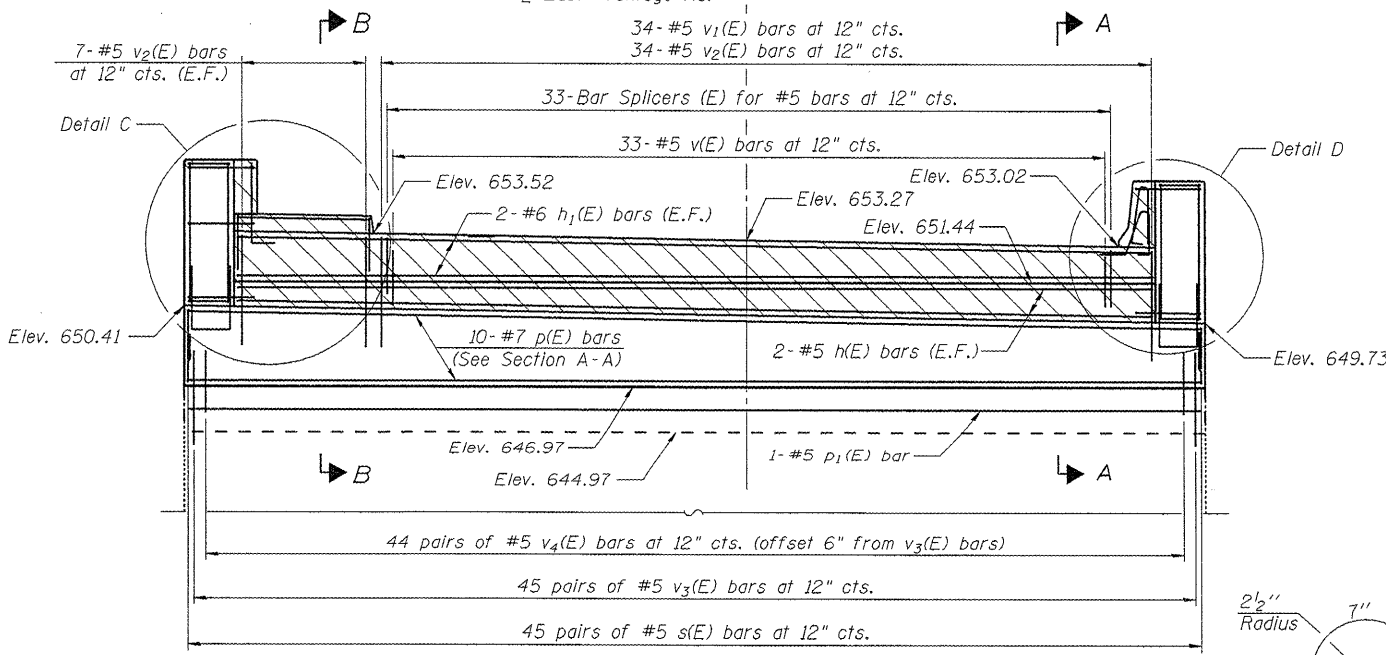
STATE OF ILLINOIS
DEPARTMENT OF TRANSPORTATION

East Frontage Rd.

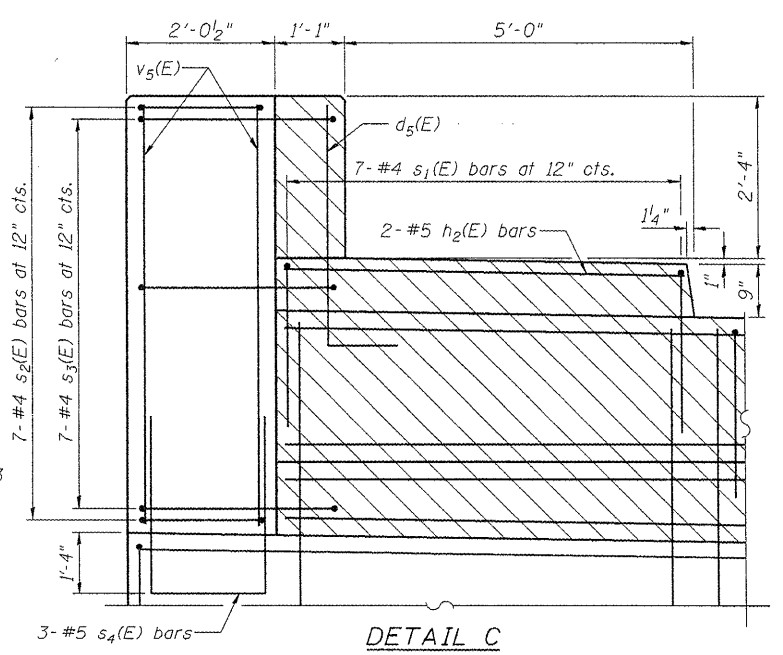


SECTION A-A

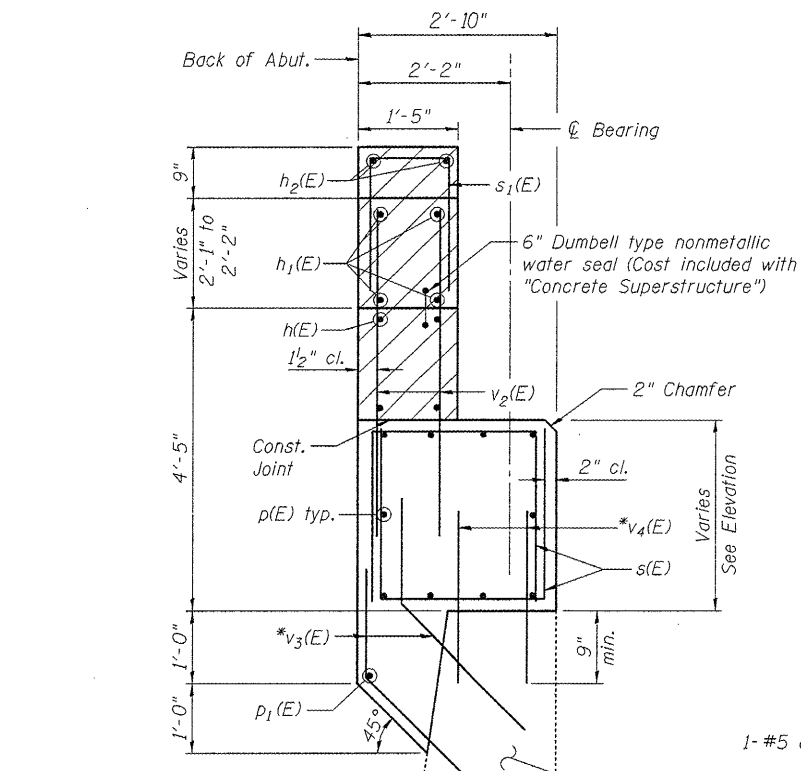
*Drill and grout #5 v3(E) and v4(E) bars in 7/8"φ x 9" min. holes according to Section 584 of the Standard Specifications. Cost included with "Reinforcement Bars, Epoxy Coated."



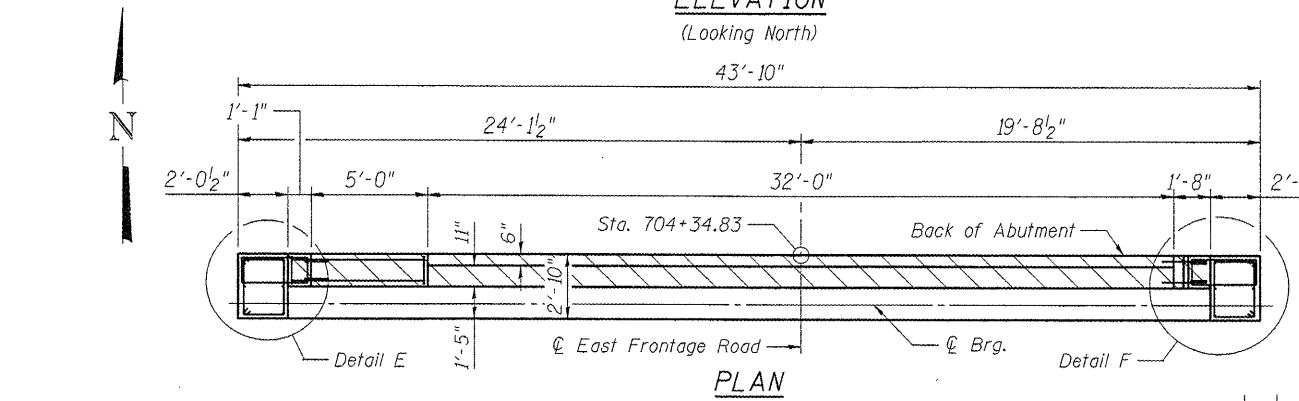
ELEVATION
(Looking North)



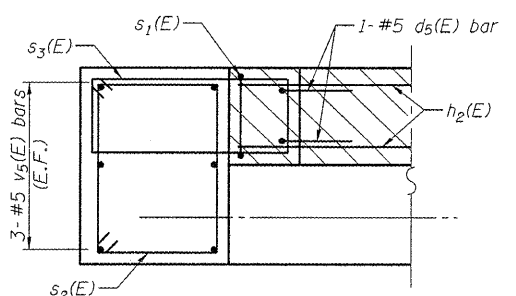
DETAIL C



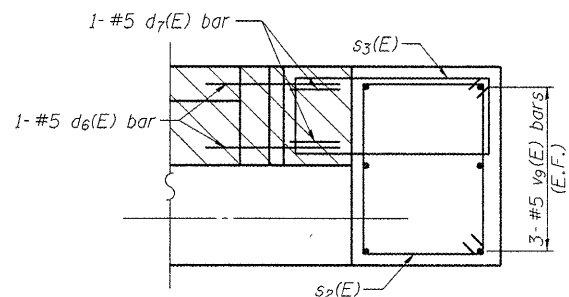
SECTION B-B



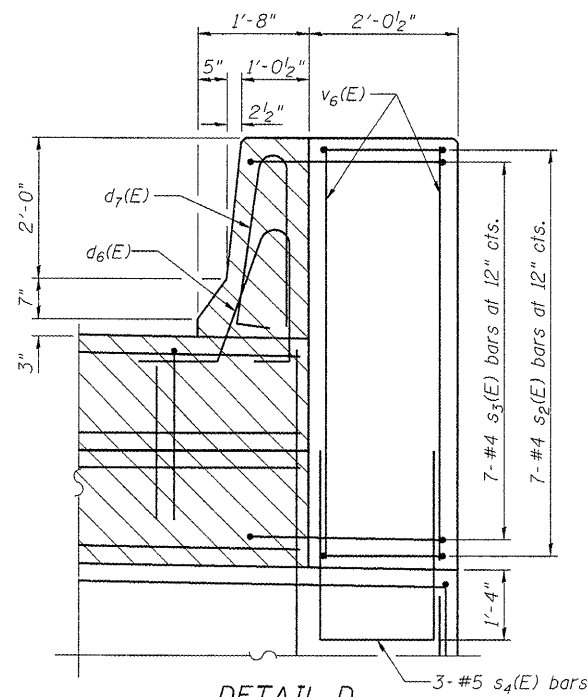
PLAN



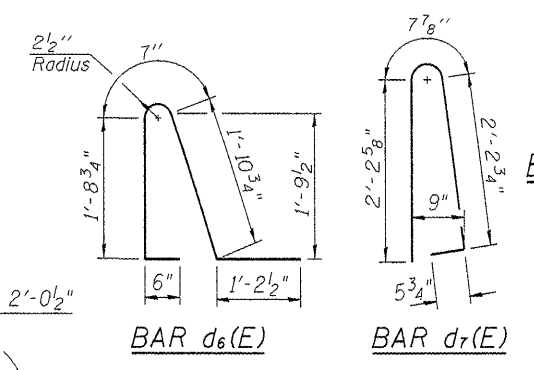
DETAIL E



DETAIL F

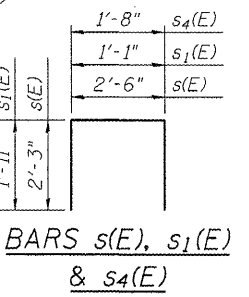


DETAIL D

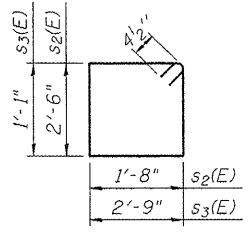


BAR d6(E)

BAR d7(E)



BARS s(E), s1(E) & s4(E)



BARS s2(E), s3(E)

BAR d5(E) BAR v1(E) BAR v3(E)

NORTH ABUTMENT
BILL OF MATERIAL

Bar	No.	Size	Length	Shape
d5(E)	2	#5	4'-3"	J
d6(E)	2	#5	5'-11"	J
d7(E)	2	#5	5'-7"	J
h(E)	4	#5	39'-3"	
h1(E)	4	#6	39'-3"	
h2(E)	2	#5	5'-8"	
p(E)	10	#7	43'-6"	
p1(E)	1	#5	43'-6"	
s(E)	90	#5	7'-0"	
s1(E)	7	#4	4'-11"	
s2(E)	14	#4	9'-1"	
s3(E)	14	#4	8'-5"	
s4(E)	6	#5	8'-0"	
v(E)	33	#5	2'-10"	
v1(E)	34	#5	5'-0"	
v2(E)	48	#5	4'-9"	
v3(E)	90	#5	3'-9"	
v4(E)	88	#5	2'-8"	
v5(E)	6	#5	5'-10"	
v6(E)	6	#5	5'-9"	
Structure Excavation			Cu. Yd.	25
Concrete Structures			Cu. Yd.	19.3
Reinforcement Bars, Epoxy Coated			Pound	3,460
Concrete Sealer			Sq. Ft.	321

NORTH ABUTMENT
STRUCTURE NO. 016-2529

SHEET NO. 14	F.A.P RTE. 305	SECTION 1415 B	COUNTY COOK	TOTAL SHEETS 75	SHEET NO. 37
15 SHEETS	CONTRACT NO. 60F60		FED. ROAD DIST. NO. 7 ILLINOIS FED. AID PROJECT		



g:\projec\12082305\cadd\structural\sheet\0162529-ABN.dgn

DESIGNED	BPS
CHECKED	GSP
DRAWN	BPS/MJB
CHECKED	GSP