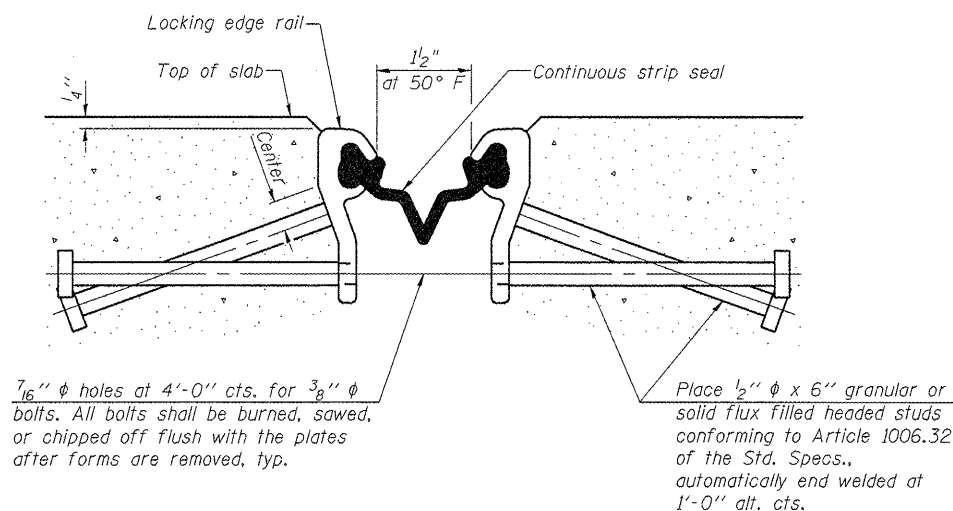
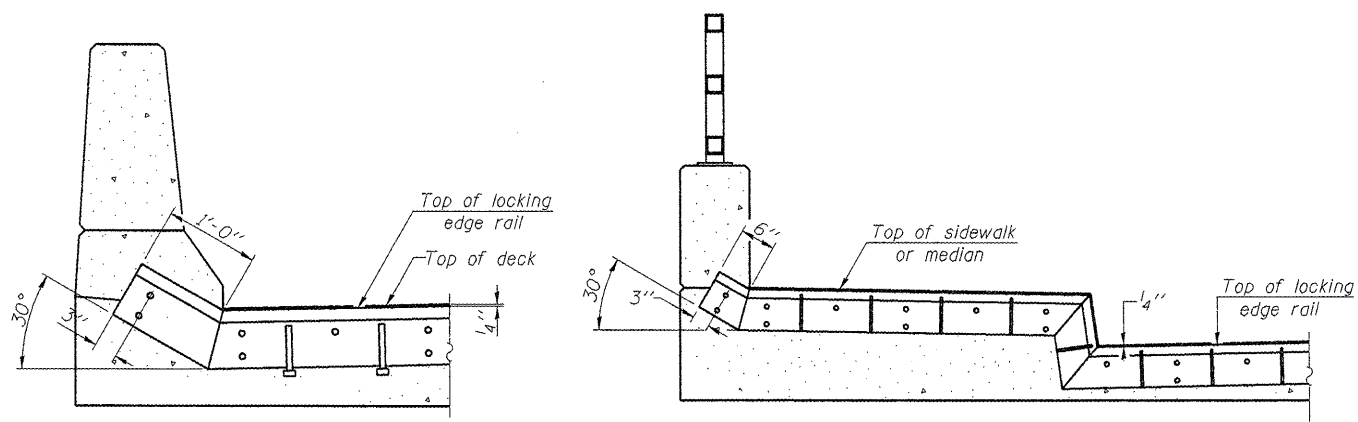


STATE OF ILLINOIS
DEPARTMENT OF TRANSPORTATION



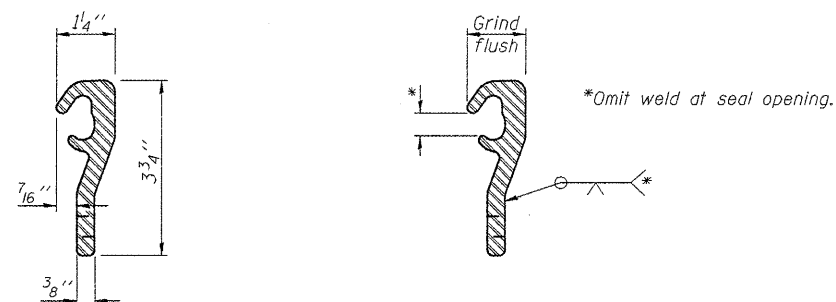
SECTION THRU STRIP SEAL JOINT
FOR OVERLAY OVER DECK BEAMS



AT PARAPET

AT SIDEWALK

TYPICAL END TREATMENTS



LOCKING EDGE RAIL

LOCKING EDGE RAIL SPLICE

Notes:

The strip seal shall be made continuous and shall have a minimum thickness of 1/4". The configuration of the strip seal shall match the configuration of the Locking Edge Rails.

The height and thickness of the Locking Edge Rails shown are minimum dimensions. The actual configuration of the Locking Edge Rails and matching strip seal may vary from manufacturer to manufacturer. Flanged edge rails will not be allowed.

The inside of the Locking Edge Rail groove shall be free of weld residue. Locking Edge Rails may be spliced at slope discontinuities and stage construction joints.

The manufacturer's recommended installation methods shall be followed. All steel components shall be galvanized after fabrication according to Article 520.03 of the Standard Specifications.

BILL OF MATERIAL

Item	Unit	Total
Preformed Joint Strip Seal	Foot	48.5

DESIGNED -	BPS
CHECKED -	GSP
DRAWN -	BPS/MJB
CHECKED -	GSP

PREFORMED JOINT STRIP SEAL
STRUCTURE NO. 016-2530

SHEET NO. 8 15 SHEETS	F.A.P. RTE.	SECTION	COUNTY	TOTAL SHEETS	SHEET NO.
	305	1415 B	COOK	75	46
FED. ROAD DIST. NO. 7			ILLINOIS	CONTRACT NO. 60F60	
FED. AID PROJECT					

ENTRAN