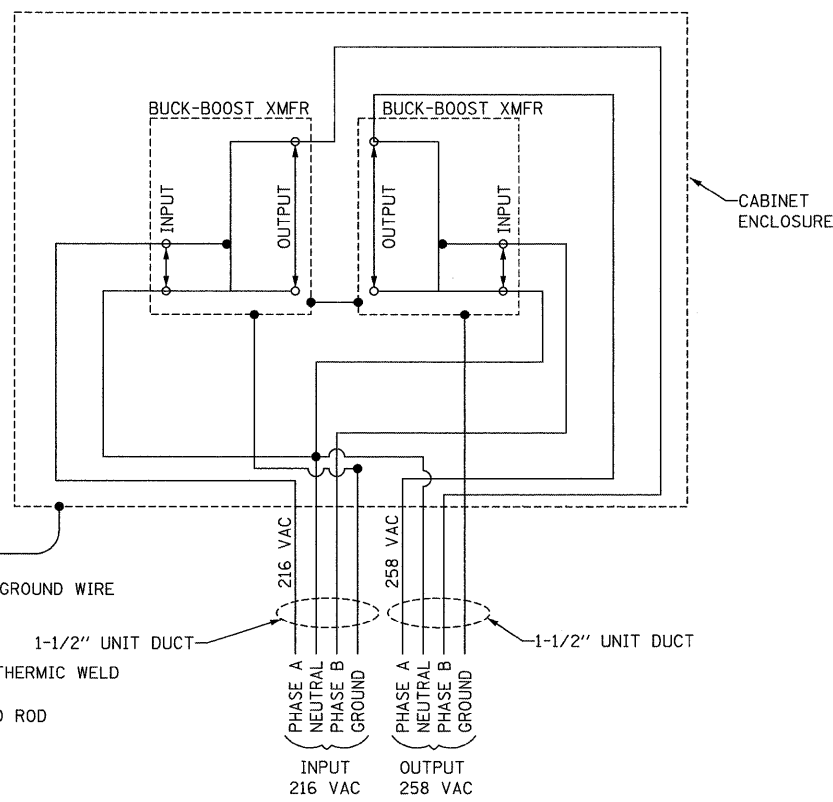
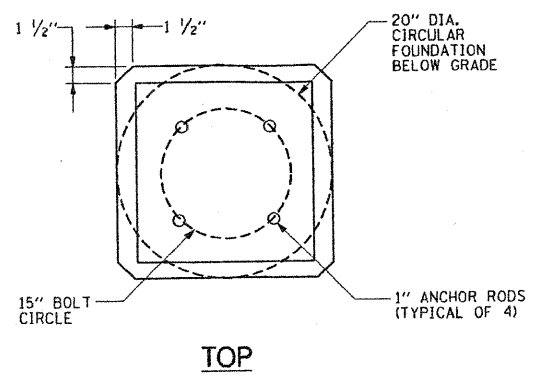


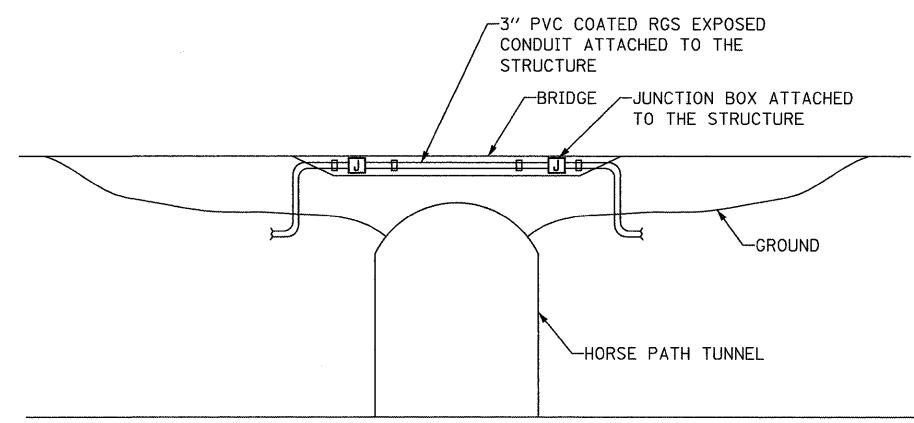
EQUIPMENT ENCLOSURE AND PEDESTAL MOUNTED BASE

NOTES:

- UNLESS OTHERWISE INDICATED, THE CABINET SHALL BE MOUNTED ATOP A 4-INCH RIGID ALUMINUM SCHEDULE 40 CONDUIT STEM ANCHORED TO A CAST ALUMINUM PEDESTAL BASE.
- CONTRACTOR TO INSTALL FOUNDATION SUCH THAT THE TOP OF FOUNDATION IS LEVEL WITH TOP SOIL IN THIS AREA. ENCLOSURE SHOULD BE MOUNTED WITH DOOR FACING TRAFFIC. THE COST OF LABOR AND MATERIALS FOR CONCRETE FOUNDATION ARE INCIDENTAL TO CABINET.
- DOOR SHALL BE CONSTRUCTED FROM SAME TYPE OF MATERIAL AND THICKNESS AS CABINET.
- DOOR SHALL BE EQUIPED WITH THREE POINT LATCHING MECHANISM WITH NYLON ROLLERS AT TOP THE BOTTOM.
- DOOR HINGE SHALL BE A HEAVY GAUGE CONTINUOUS HINGE WITH A 1/4 " DIA. STAINLESS STEEL HINGE PIN.
- ALL EXTERNAL HARDWARE SHALL BE STAINLESS STEEL.
- CABINET SHALL BE AN ALUMINUM ENCLOSURE.
- ALL WIRING WITHIN THE CABINET SHALL BE COLOR CODED AS INDICATED.
 R = RED W = WHITE
 B = BLACK G = GREEN
- ALL WIRING SHALL BE NEATLY DRESSES AND SUPPORTED.
- 16"x 3" STAINLESS STEEL EXTERIOR NAMEPLATE SHALL BE ENGRAVED TO "LIGHTING BUCK BOOST TRANSFORMERS" UNLESS OTHERWISE SPECIFIED.
- DRILL (4) 1/2" DIAMETER HOLES IN BOTTOM OF CABINET TO BOLT TO BALLAST HOUSING BASE USING (4) 3/8" x 2-1/2" BOLTS.



PANEL WIRING DIAGRAM



CONDUIT TO STRUCTURE ATTACHMENT DETAIL
 NOT TO SCALE

P:_2009\CAD\CADD\Sheets\Lighting-Proposed\Sheet 13.Electrical Details.dgn

FILE NAME =	USER NAME = default	DESIGNED - HS	REVISED -
P:_2009\CAD\CADD\Sheets\Lighting-Proposed\Sheet 13.Electrical Details.dgn	Proposed_Sheet 13.Electrical Details.dgn	DRAWN - MJO/HS	REVISED -
	PLOT SCALE = #SCALE#	CHECKED - CDS	REVISED -
	PLOT DATE = 3/6/2009	DATE - 3/6/2009	REVISED -

STATE OF ILLINOIS
 DEPARTMENT OF TRANSPORTATION

ELECTRICAL DETAILS

SCALE: N.T.S. SHEET NO. OF SHEETS STA. - TO STA. -

JACOBS		ONE NORTH FRANKLIN CHICAGO IL, 60606 312-251-3000		
F.A.P. RTE.	SECTION	COUNTY	TOTAL SHEETS	SHEET NO.
332	2008-081 L	COOK	18	15
FED. ROAD DIST. NO. ILLINOIS FED. AID PROJECT			CONTRACT NO. 60F83	